

[54] TRANSMISSION SWITCHING EQUIPMENT CABINET

[75] Inventor: Peter D. H. Trussler, Ottawa, Canada

[73] Assignee: Northern Telecom Limited, Montreal, Canada

[**] Term: 14 Years

[21] Appl. No.: 89,940

[22] Filed: Oct. 31, 1979

[51] Int. Cl. D14-03

[52] U.S. Cl. D14/52

[58] Field of Search D13/40, 41; D14/52, D14/58, 40-50; 179/98, 90; 361/380, 381, 390, 331, 332, 334

[56] References Cited

U.S. PATENT DOCUMENTS

D. 242,926 1/1977 Abramsen et al. D14/42

OTHER PUBLICATIONS

Telephony, 10-31-1977, p. 118, Digital Switching System Cabinet (left).

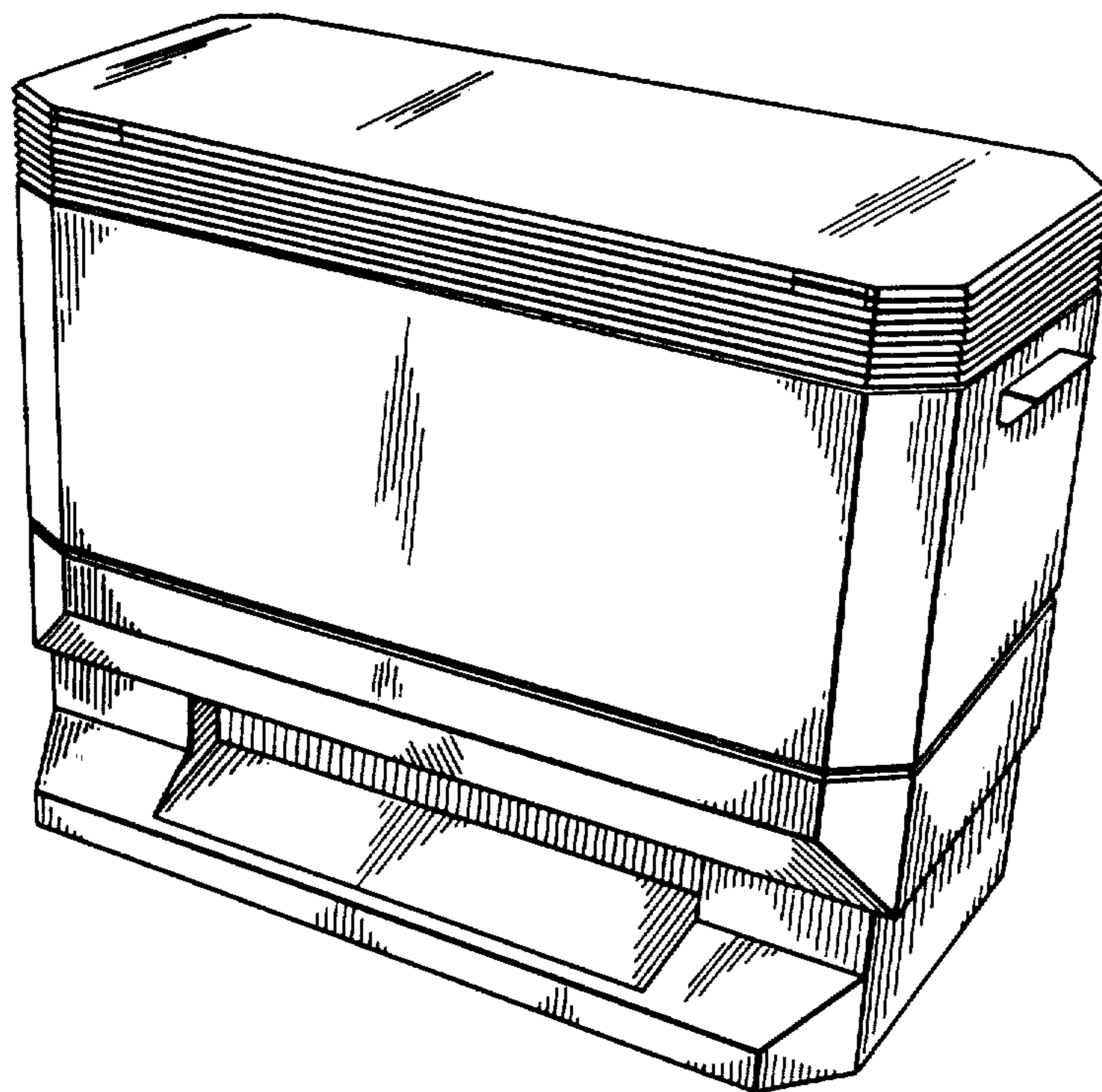
Primary Examiner—Susan J. Lucas
Attorney, Agent, or Firm—John E. Mowle

[57] CLAIM

The ornamental design for a transmission switching equipment cabinet, substantially as shown and described.

DESCRIPTION

FIG. 1 is a perspective view of the transmission switching equipment cabinet showing my new design, FIG. 2 is a top view thereof, FIG. 3 is a front view thereof, the rear view being identical; FIG. 4 is a side view thereof, the opposite side view being identical.



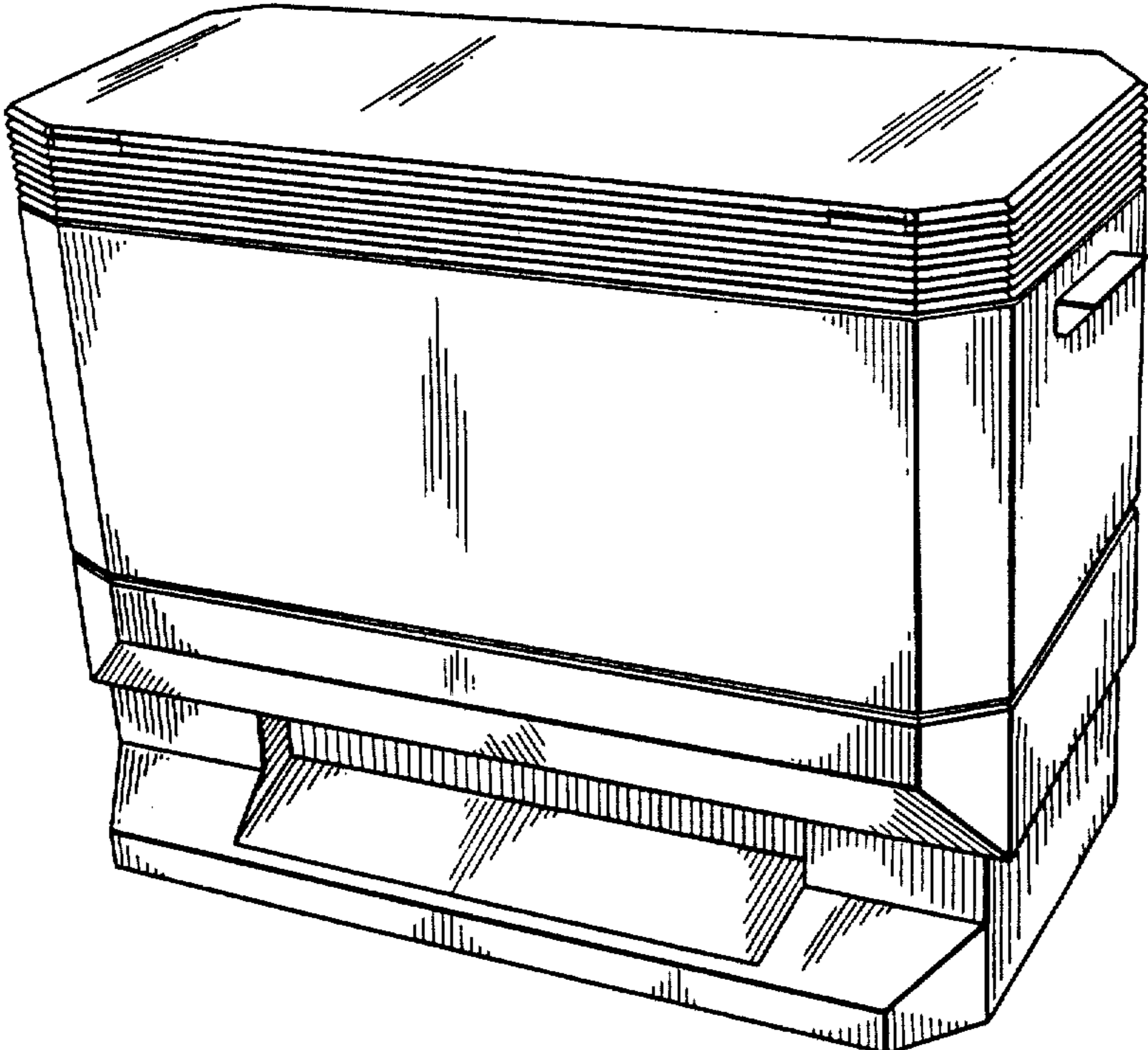


Fig. 1



Fig. 2

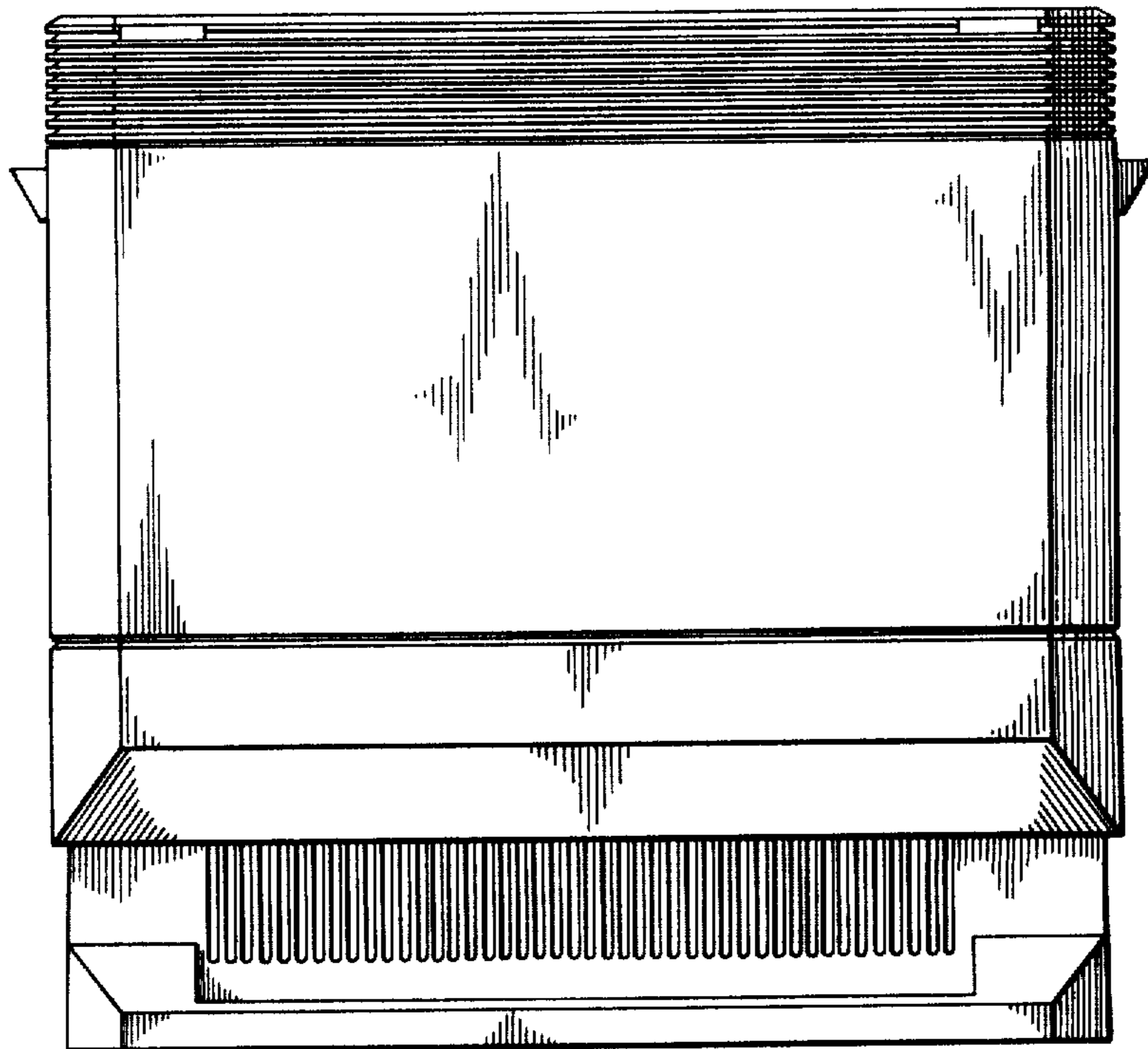


Fig. 3

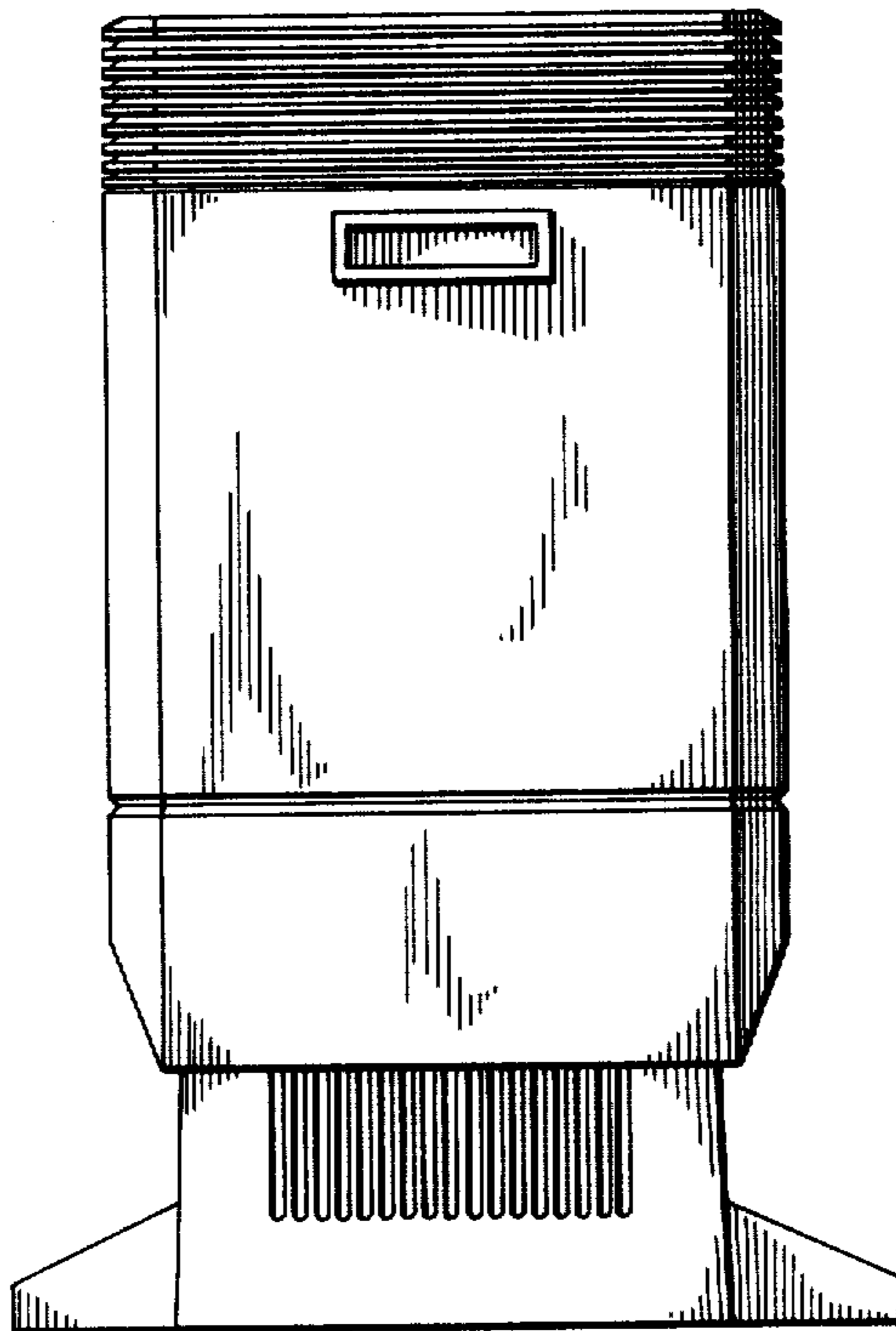


Fig. 4