

[54] CONTAINER FOR SMALL ELECTRONIC STRUCTURAL COMPONENTS

[76] Inventors: Bobby J. Harris, 2954 Sunwood Dr., San Jose, Calif. 95111; James P. Sayers, 10534 Merriman Rd., Cupertino, Calif. 95014

[**] Term: 14 Years

[21] Appl. No.: 105,396

[22] Filed: Dec. 19, 1979

[51] Int. Cl. D3-02
[52] U.S. Cl. D13/41; D3/30.1
[58] Field of Search D3/30, 33, 35, 39, 74, D3/75, 78; D9/414, 420, 423, 424, 426, 432; 206/566; 220/76, 83, 4 B, 4 E, DIG. 25; 174/52 R; D13/40, 41

[56] References Cited

U.S. PATENT DOCUMENTS

Table with 4 columns: Patent No., Date, Inventor, and Reference No. listing various U.S. patents such as D. 103,668, D. 108,580, etc.

4,002,287 1/1977 Saveth 220/DIG. 25

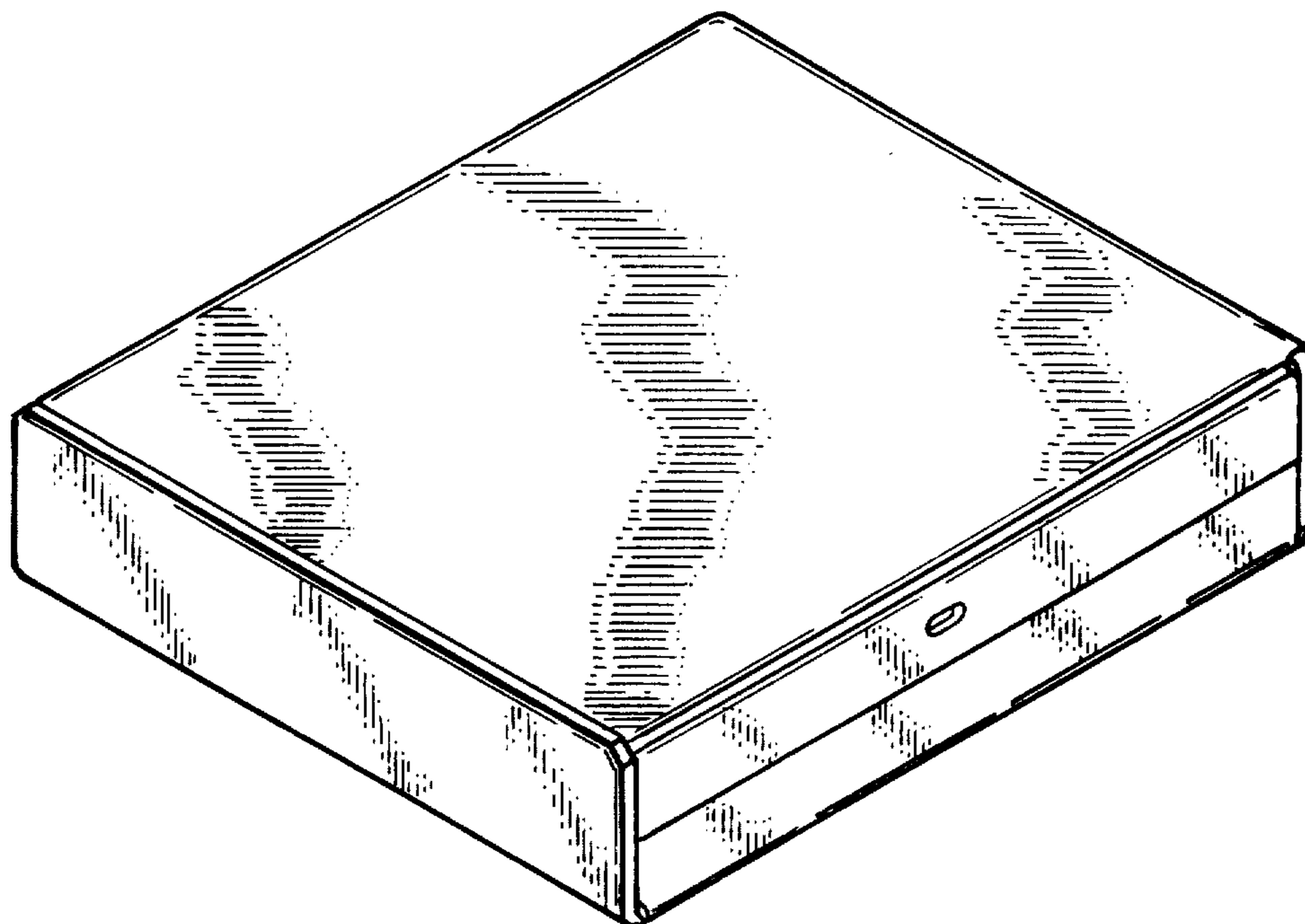
Primary Examiner—George P. Word
Attorney, Agent, or Firm—Thomas E. Schatzel

[57] CLAIM

The ornamental design for container for small electronic structural components, as shown and described.

DESCRIPTION

FIG. 1 is a perspective view of a container for small electronic structural components showing our new design;
FIG. 2 is an exploded perspective view thereof;
FIG. 3 is an end elevational view of the bottom portion thereof taken along line 3-3 of FIG. 2;
FIG. 4 is a side elevational view of the bottom portion taken along line 4-4 of FIG. 2;
FIG. 5 is an end elevational view of the bottom portion taken along line 5-5 of FIG. 2;
FIG. 6 is a side elevational view of the bottom portion taken along line 6-6 of FIG. 2;
FIG. 7 is an end elevational view of the top portion taken along line 7-7 of FIG. 2;
FIG. 8 is a side elevational view of the top portion taken along line 8-8 of FIG. 2;
FIG. 9 is an end elevational view of the top portion taken along line 9-9 of FIG. 2; and
FIG. 10 is a side elevational view of the top portion taken along line 10-10 of FIG. 2.



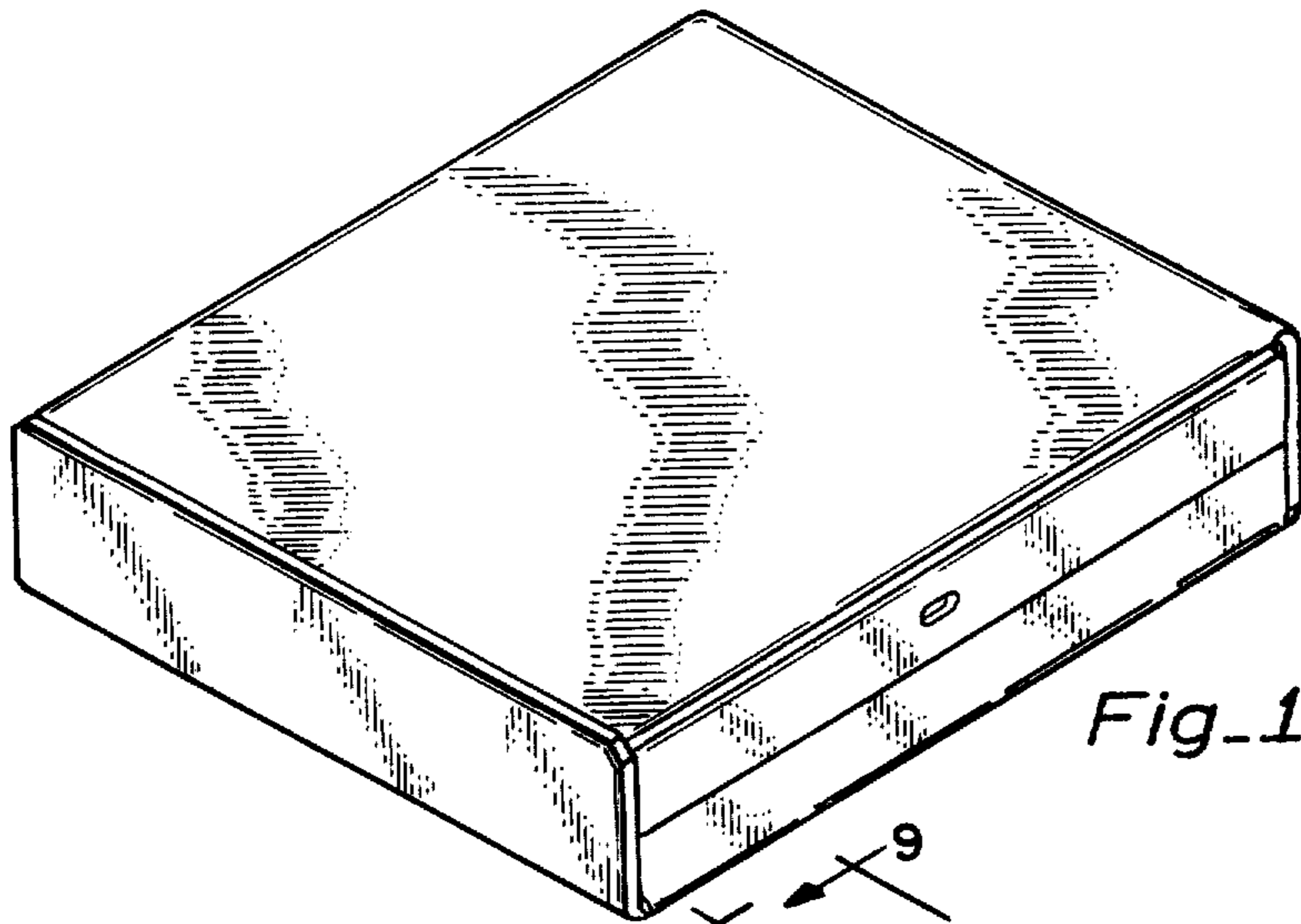


Fig. 1

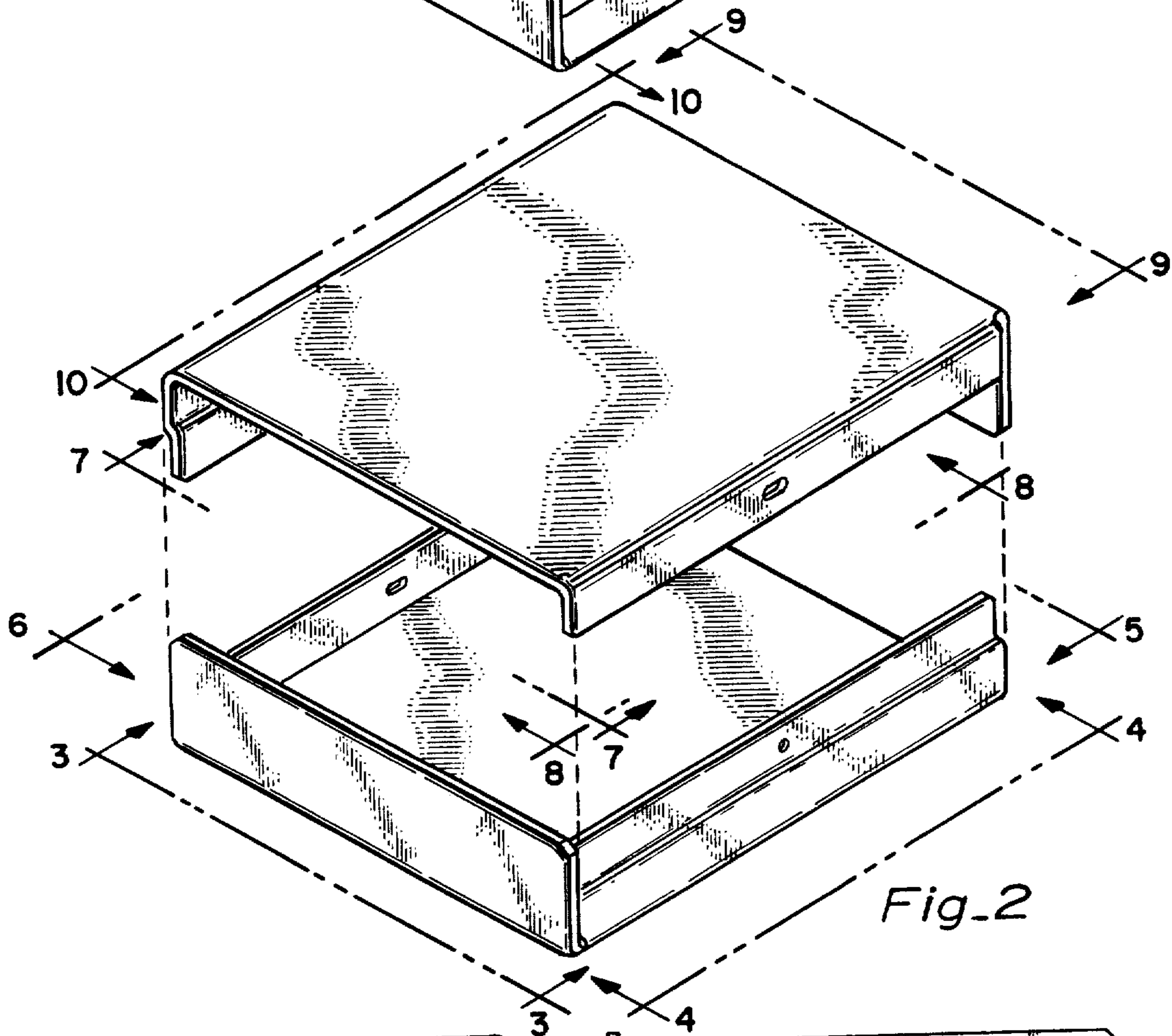


Fig. 2

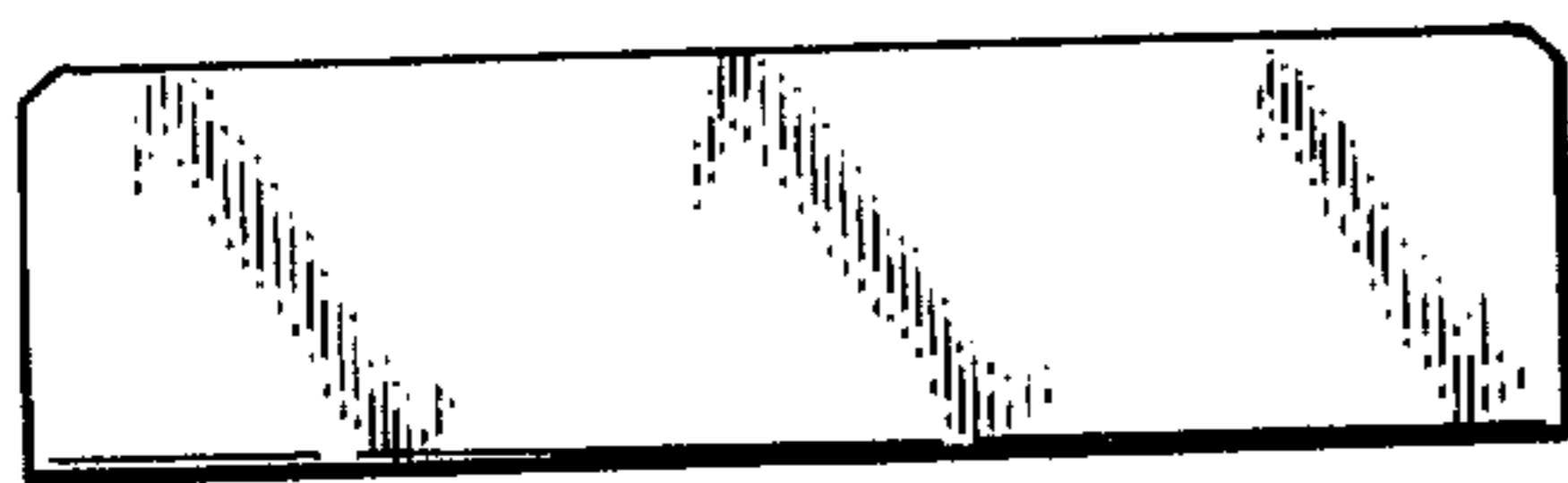


Fig. 3



Fig. 4

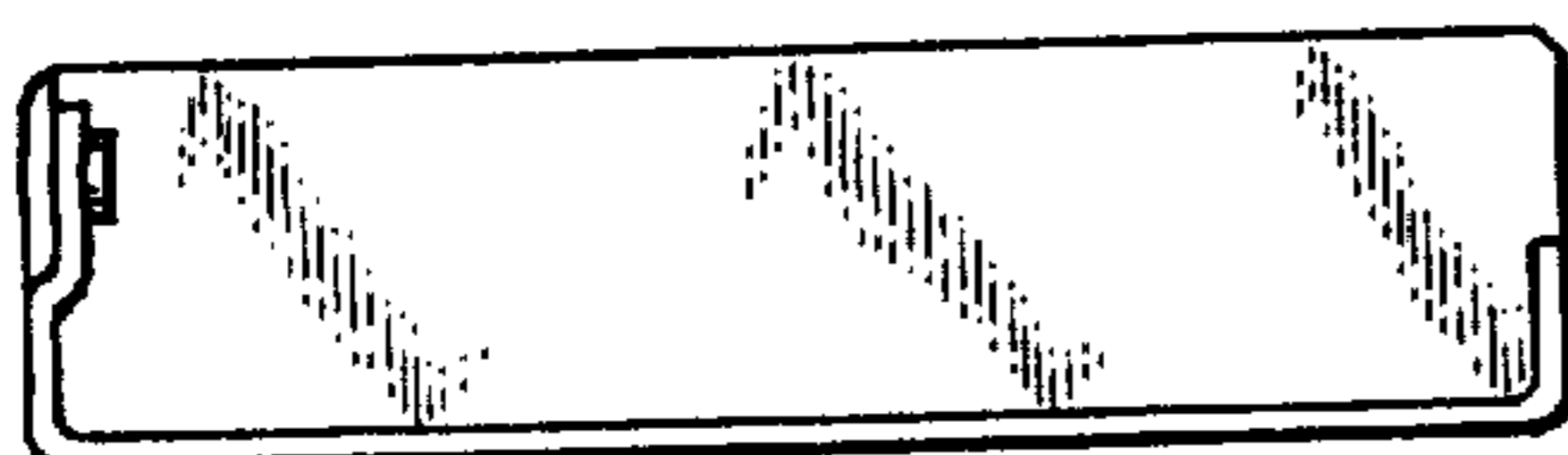


Fig. 5

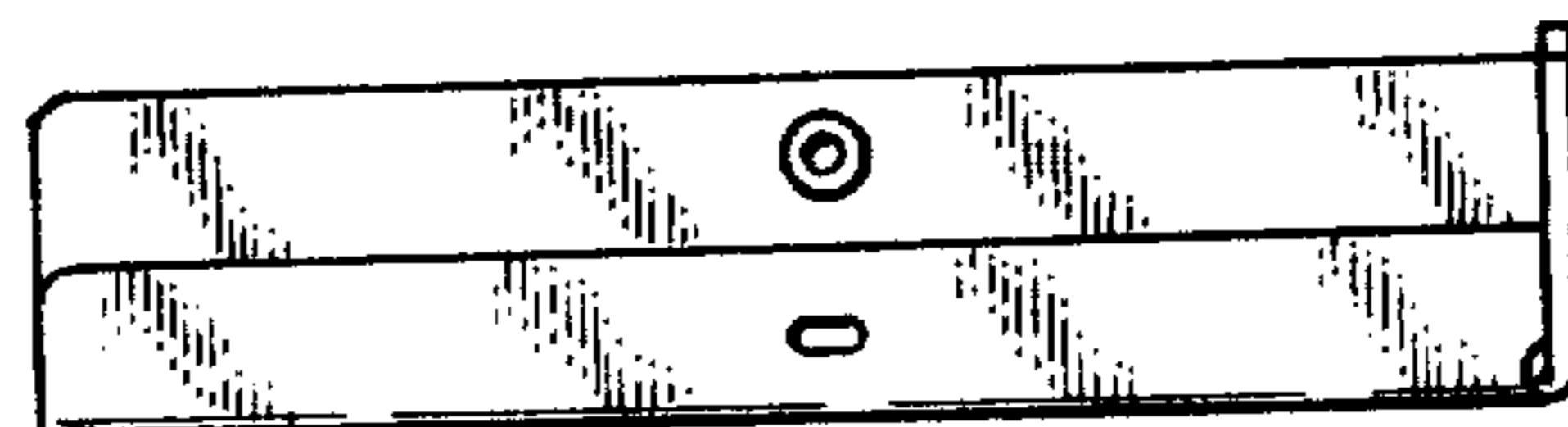


Fig. 6

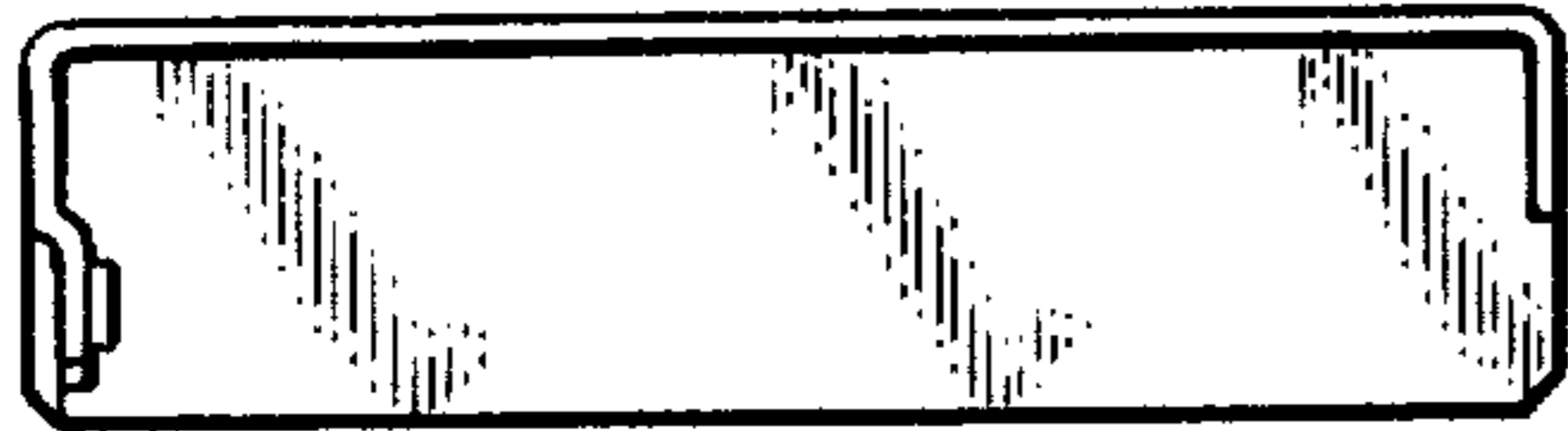


Fig. 7

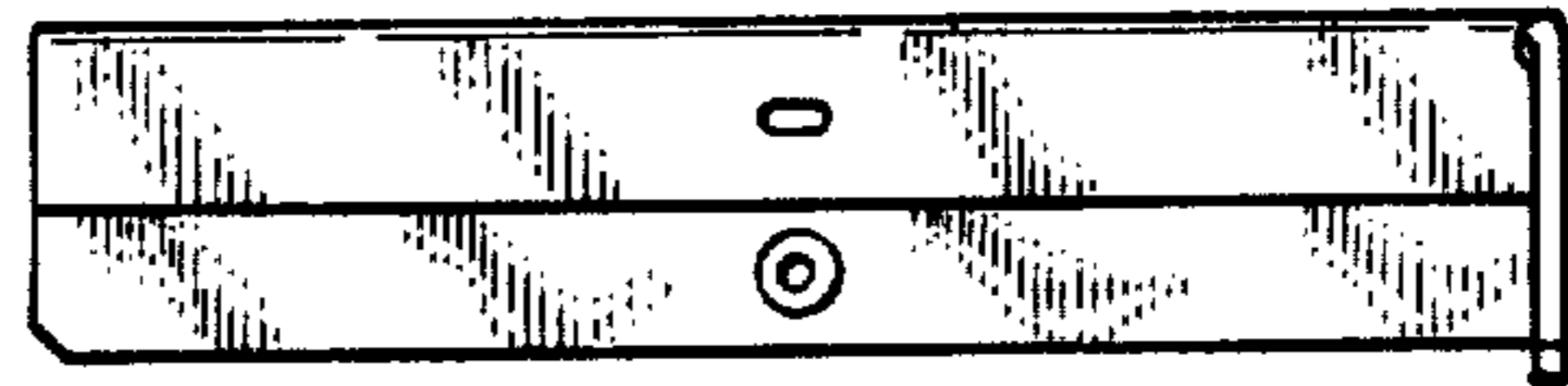


Fig. 8



Fig. 9

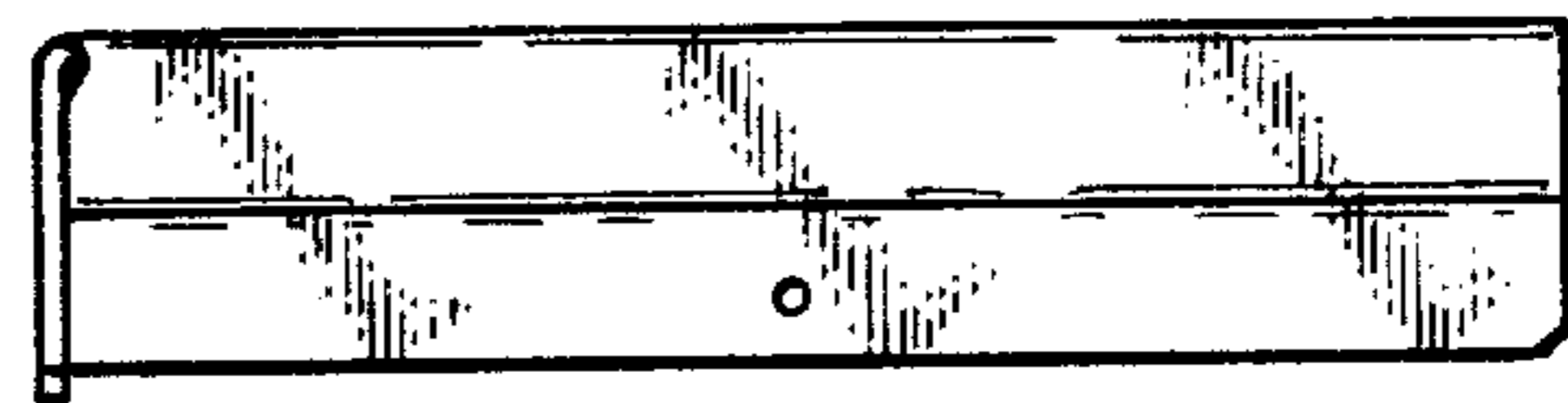


Fig. 10