

[54] SELF-HOLDING HEAT SINK FOR
ELECTRONIC DEVICES

[75] Inventor: Alfred F. McCarthy, Belmont, N.H.

[73] Assignee: Aavid Engineering, Inc., Laconia,
N.H.

[**] Term: 14 Years

[21] Appl. No.: 124,308

[22] Filed: Feb. 25, 1980

[51] Int. Cl. D13-03

[52] U.S. Cl. D13/23

[58] Field of Search D13/23; 165/80 R, 80 A,
165/80 B; 357/81; 174/16 HS

[56] References Cited

U.S. PATENT DOCUMENTS

3,893,161 7/1975 Pesak, Jr. 174/16 HS X
4,041,524 8/1977 Trunk et al. 165/80 B X

OTHER PUBLICATIONS

Wakefield Semiconductor Heatsinks & Thermal Products, Catalog #1967, ©1967, p. 4, Thermal Clamp.

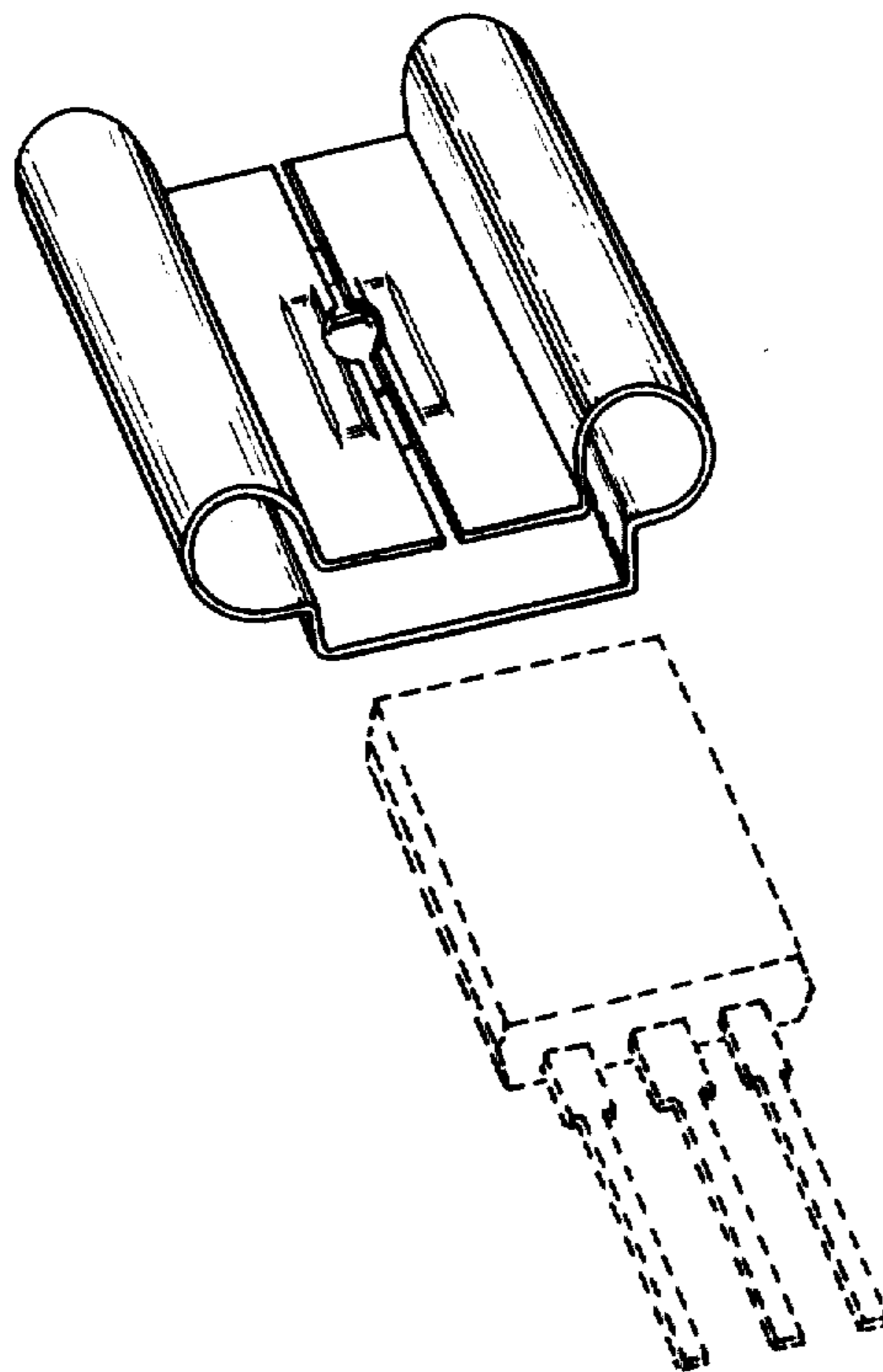
Primary Examiner—Susan J. Lucas
Attorney, Agent, or Firm—James E. Mrose

[57] CLAIM

The ornamental design for a self-holding heat sink for electronic devices, substantially as shown and described.

DESCRIPTION

FIG. 1 is a perspective view of a self-holding heat sink for electronic devices showing my new design, the electronic device being shown in broken lines for illustrative purposes only;
FIG. 2 is a top plan view of the same heat sink;
FIG. 3 is a bottom plan view thereof;
FIG. 4 is front elevational view thereof;
FIG. 5 is a rear elevational view thereof;
FIG. 6 is a perspective view of a self-holding heat sink for electronic devices showing a modified form of my new design; and
FIG. 7 is a bottom plan view thereof.



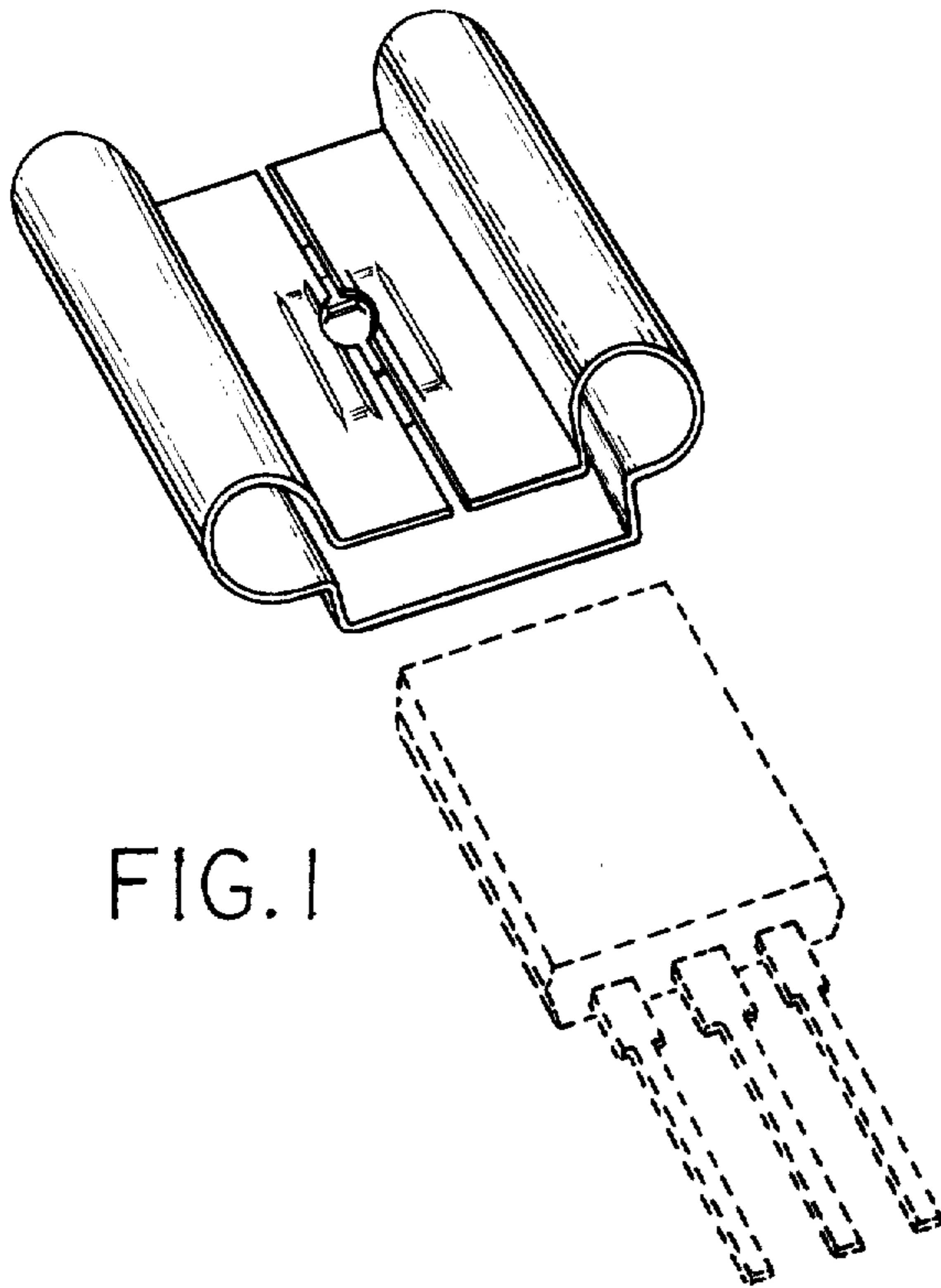


FIG. 1

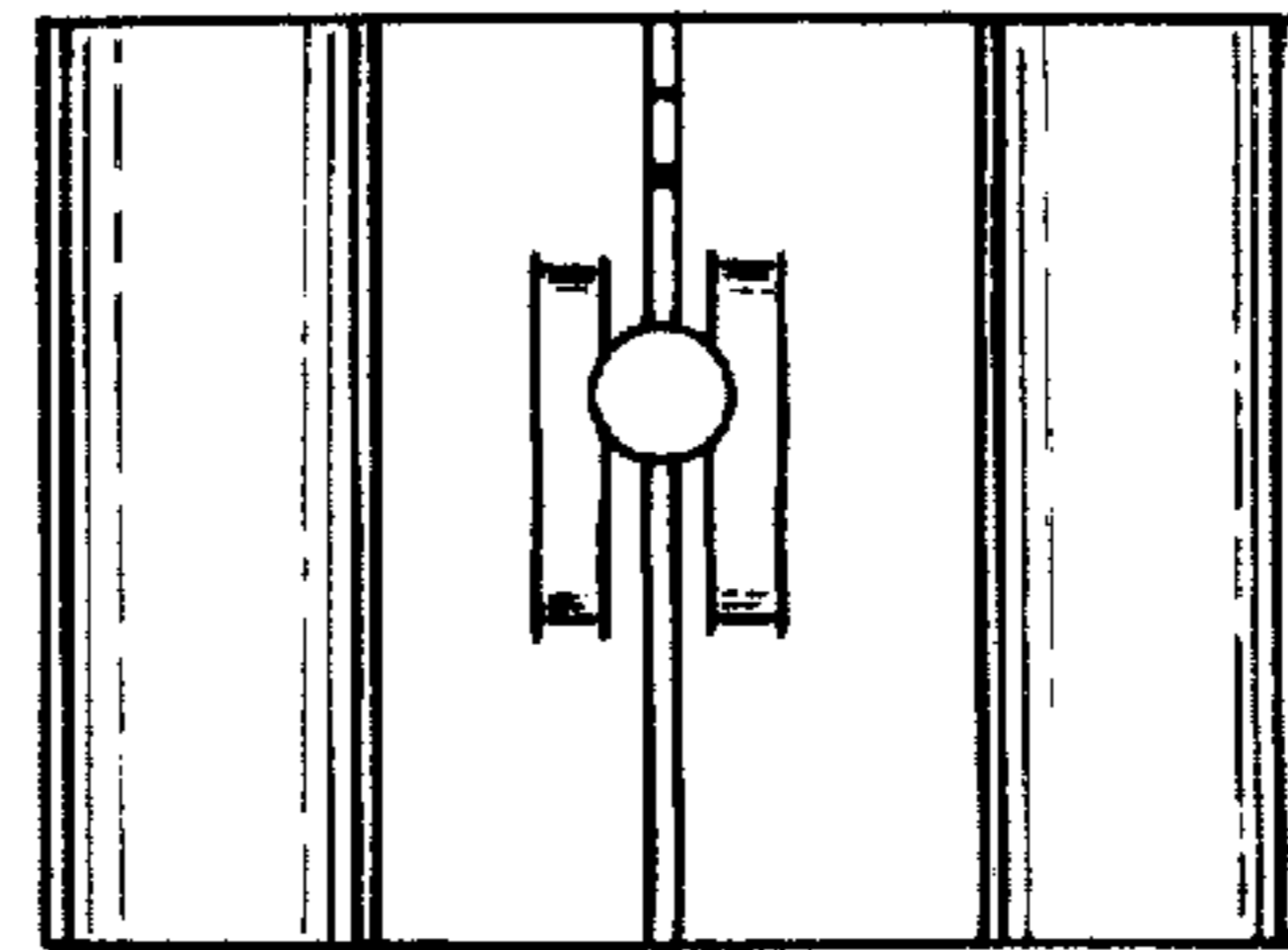


FIG. 2

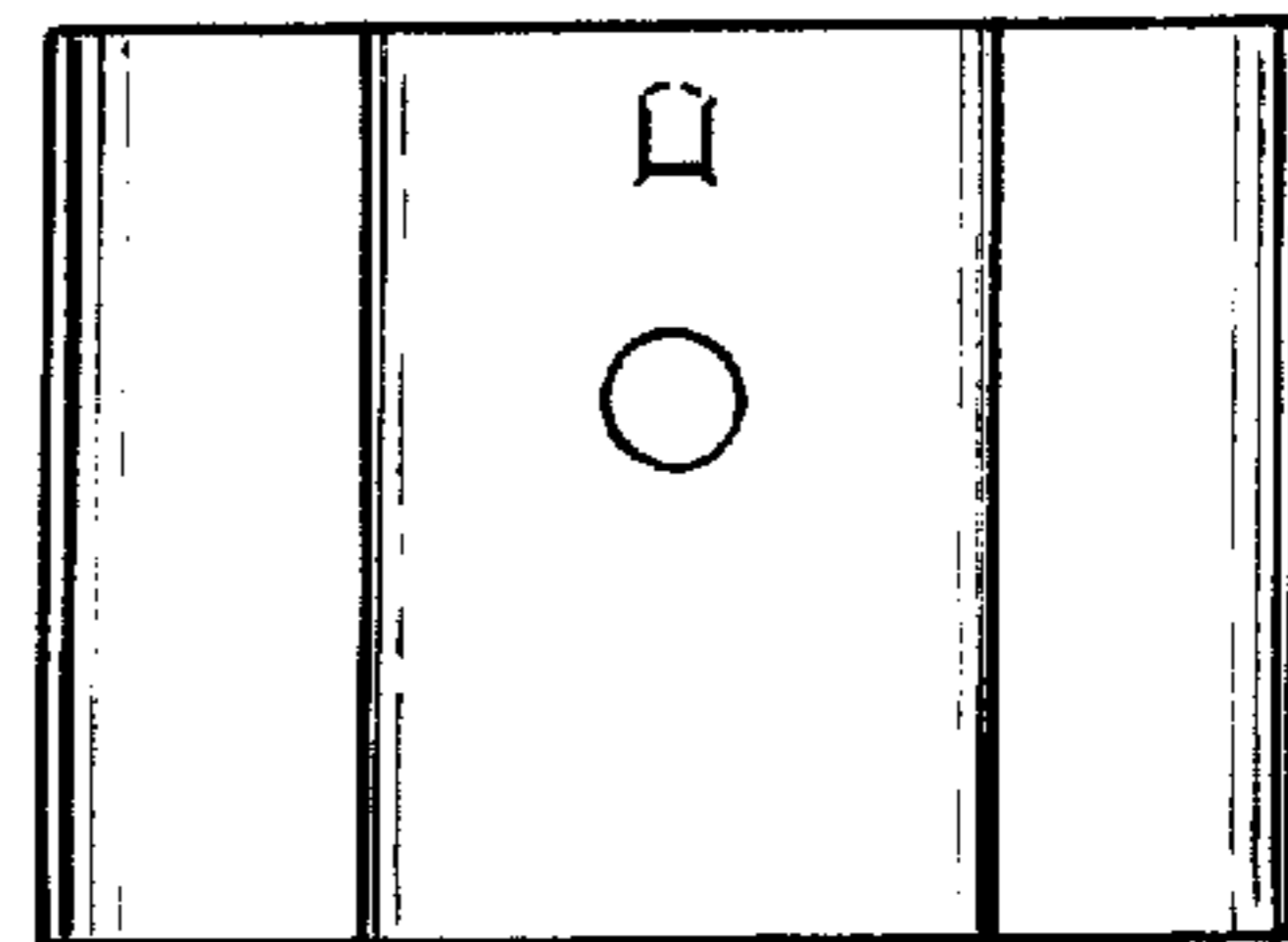


FIG. 3

FIG. 4

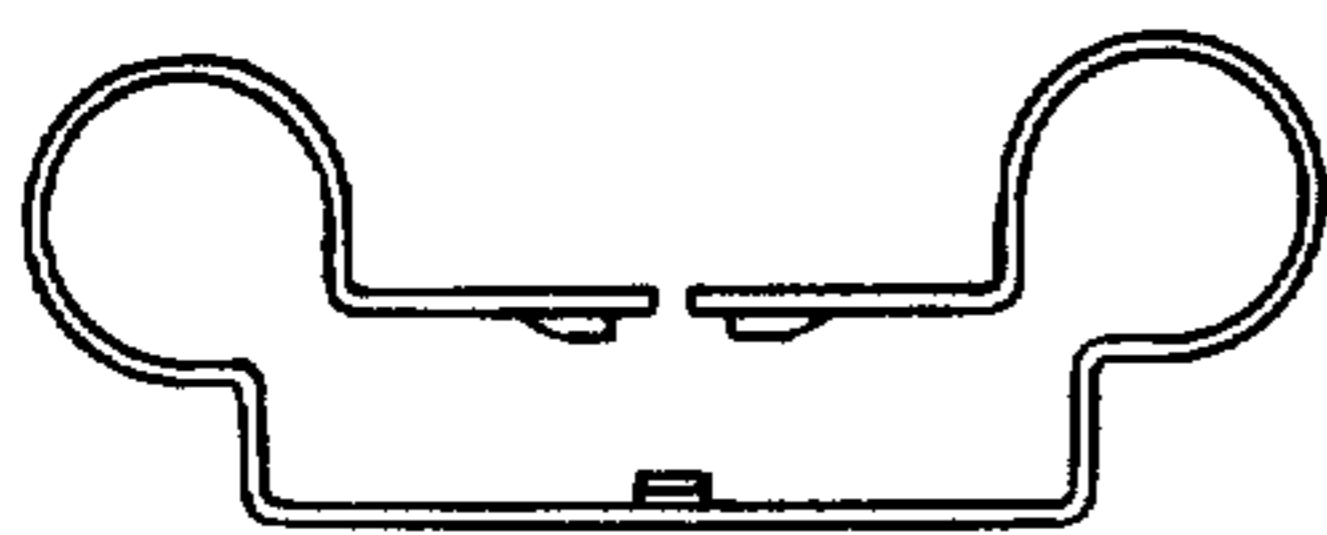


FIG. 5

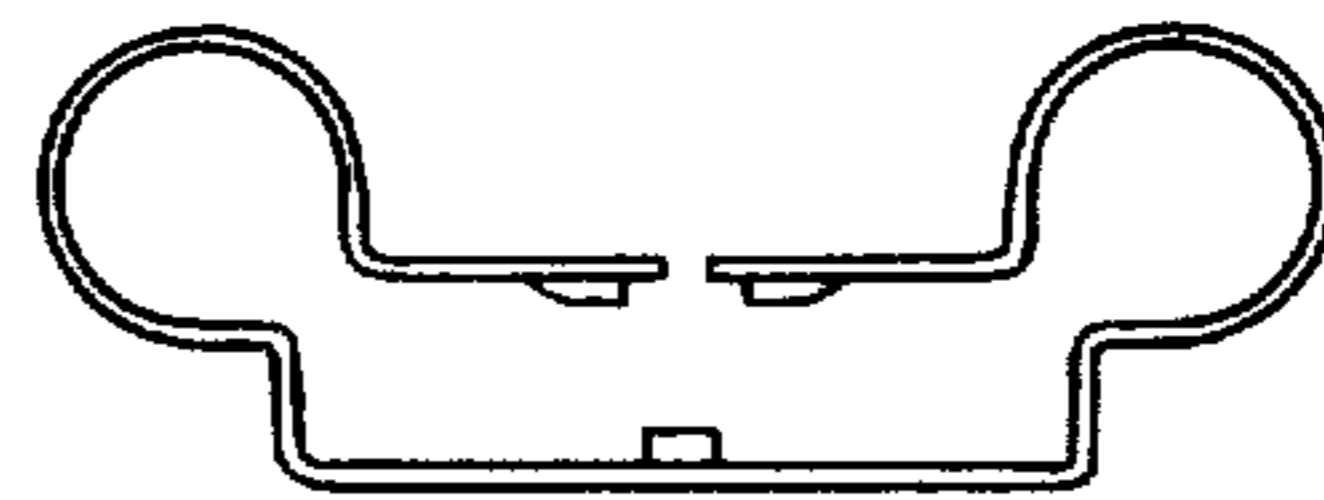


FIG. 7

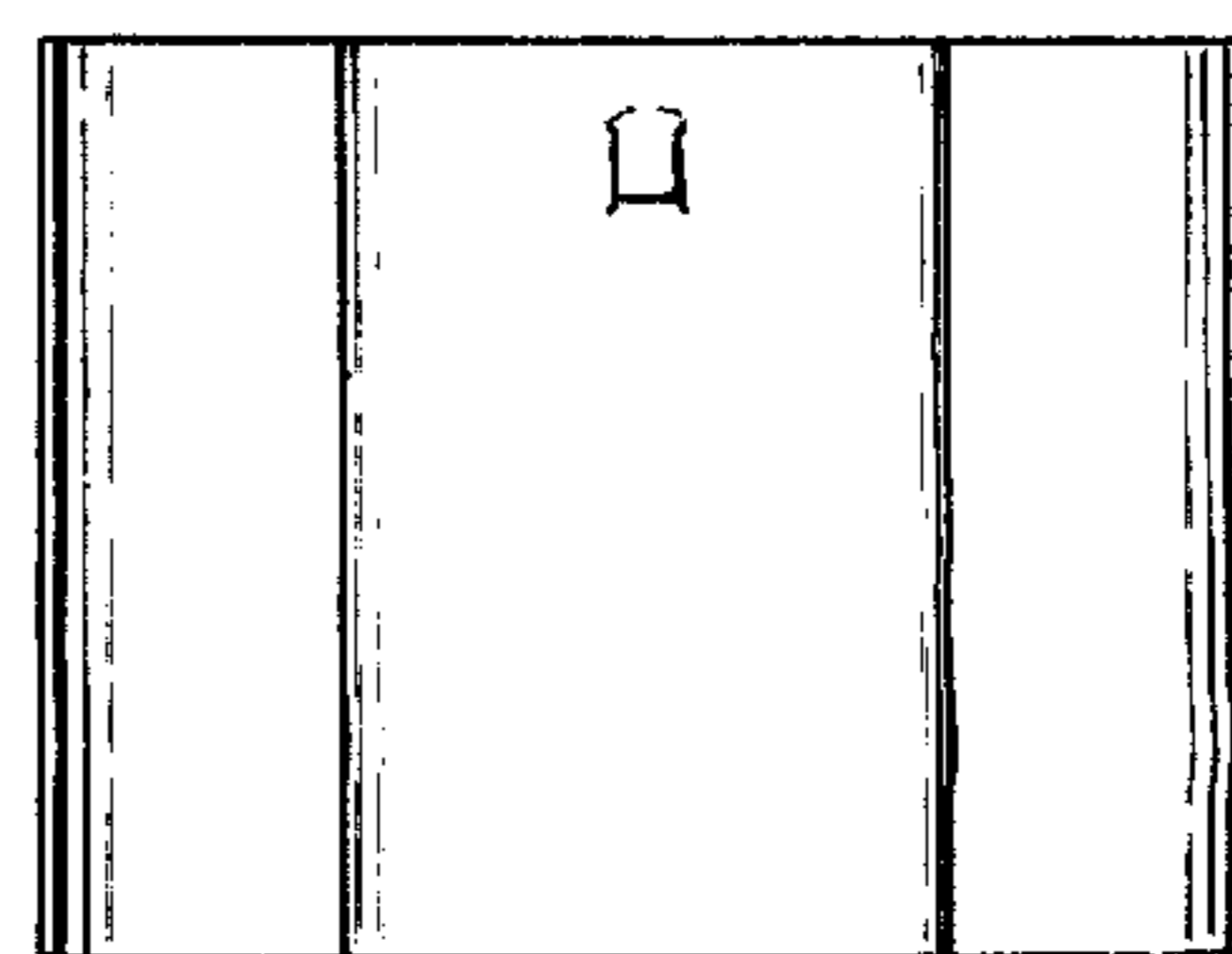


FIG. 6

