

- [54] CAN CARRIER
- [75] Inventor: Horst F. W. Arfert, Midlothian, Va.
- [73] Assignee: Reynolds Metals Company, Richmond, Va.
- [**] Term: 14 Years
- [21] Appl. No.: 130,745
- [22] Filed: Mar. 17, 1980
- [51] Int. Cl. D9-03
- [52] U.S. Cl. D9/344
- [58] Field of Search 206/150, 151, 152, 153; 229/52 BC; D9/345, 344, 418, 424, 376

3,664,497 5/1972 Mascia 206/65 C
 3,871,699 3/1975 Hatfield 206/150 X
 4,120,396 10/1978 Mascia et al. 206/151

Primary Examiner—Robert C. Spangler
 Attorney, Agent, or Firm—Lyne, Girard & McDonald

[57] CLAIM

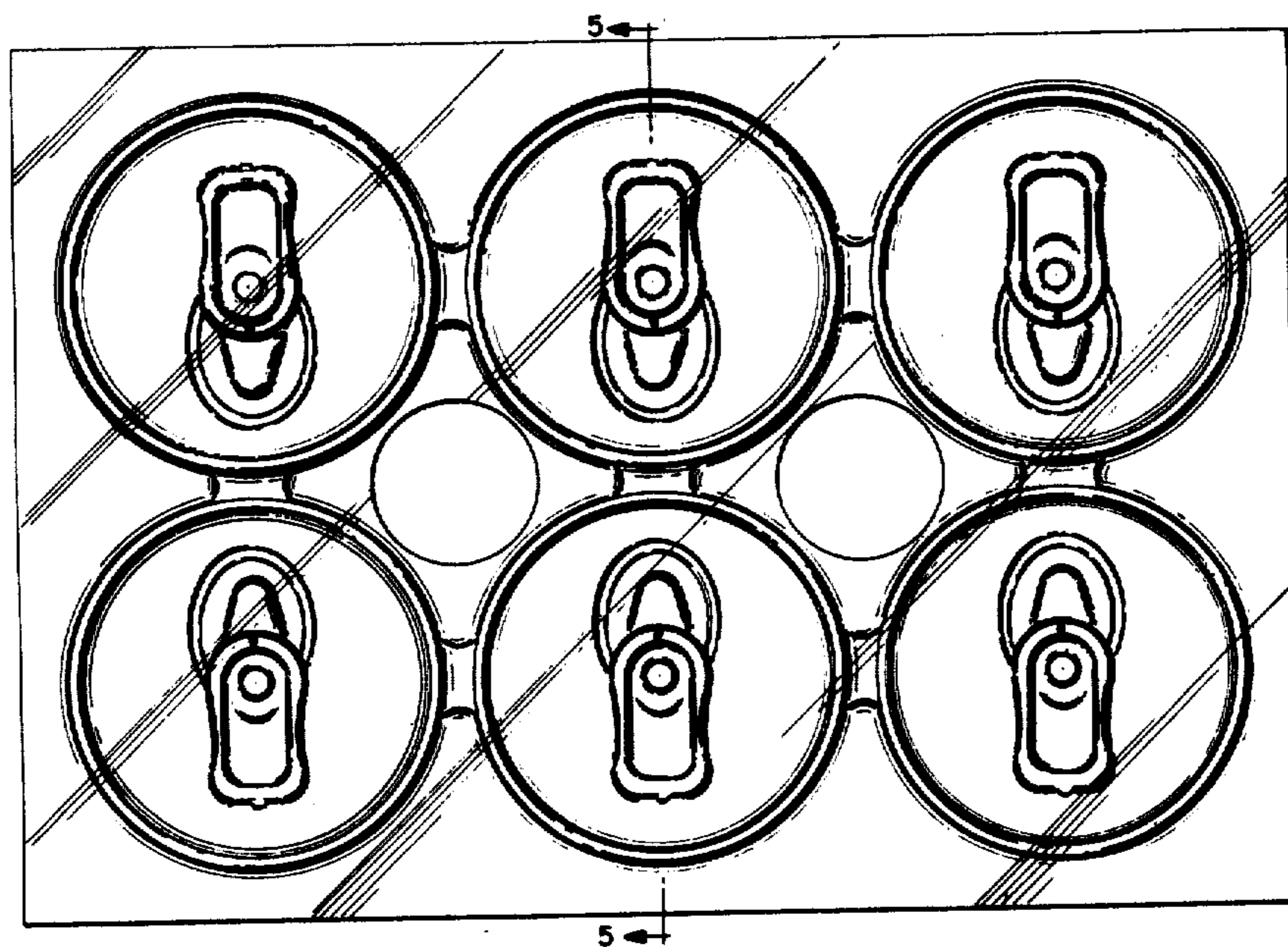
The ornamental design for a can carrier, as shown and described.

DESCRIPTION

FIG. 1 is a top elevational view of a can carrier embodying my new design;
 FIG. 2 is a bottom elevational view;
 FIG. 3 is a side elevational view;
 FIG. 4 is a front elevational view;
 FIG. 5 is a cross-sectional view, taken on line 5—5 of FIG. 1;
 FIG. 6 is a top elevational view of a second embodiment of my new design;
 FIG. 7 is a bottom elevational view;
 FIG. 8 is a side elevational view;
 FIG. 9 is a front elevational view; and
 FIG. 10 is a cross-sectional view, taken on line 10—10 of FIG. 6.

[56] References Cited
 U.S. PATENT DOCUMENTS

3,242,631	3/1966	Whiteford	53/35
3,250,564	5/1966	Stern et al.	294/87.2
3,307,692	3/1967	Chidsey, Jr.	206/150
3,317,234	5/1967	Burford	294/87.2
3,346,106	10/1967	Gooding	206/151
3,355,013	11/1967	Poupitch	206/150
3,446,346	5/1969	Burge	206/151
3,589,509	6/1971	Mascia	206/151



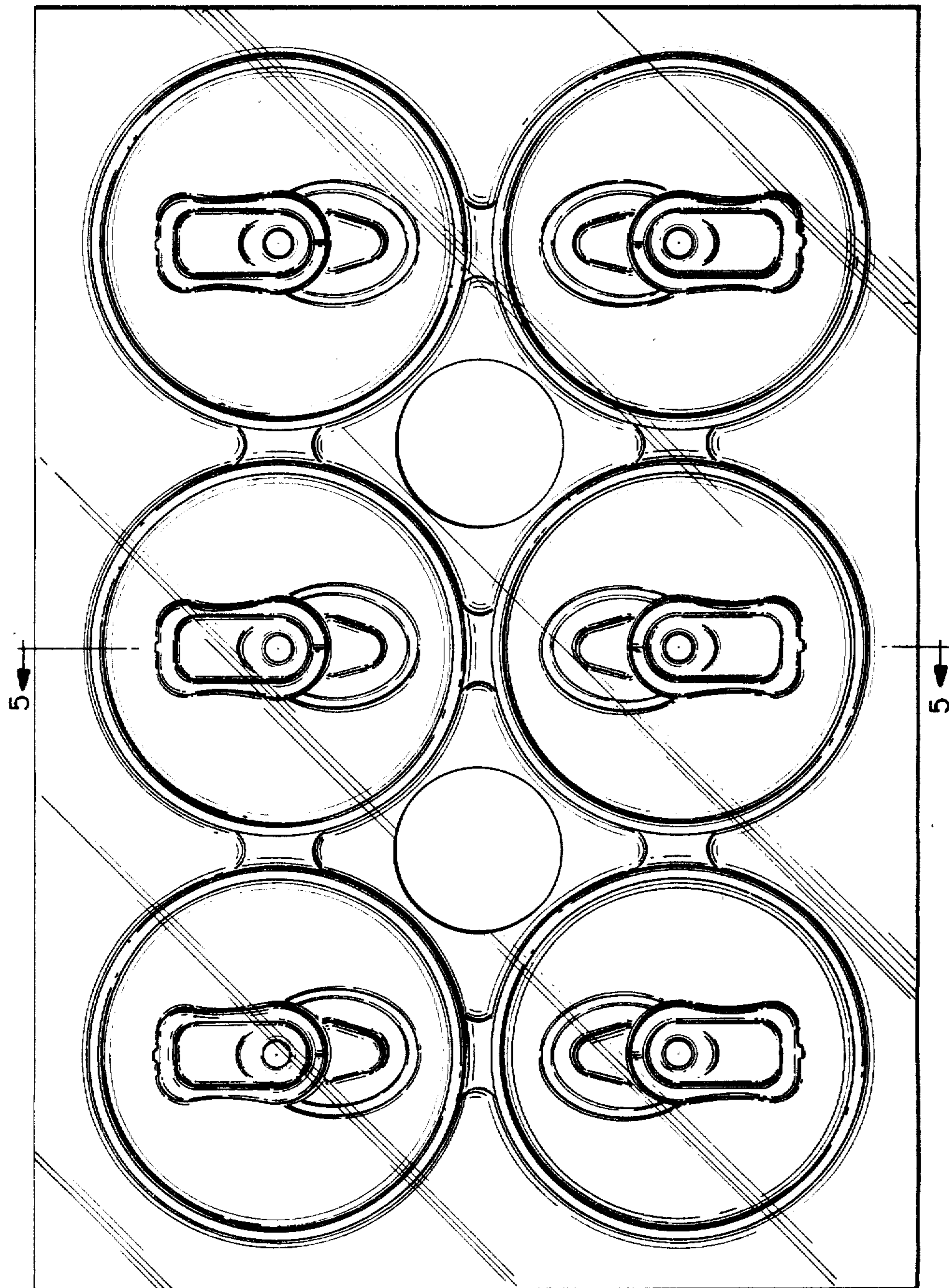


FIG. 1

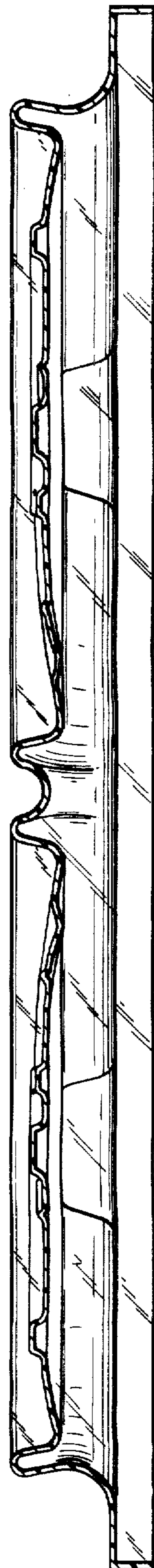


FIG. 5

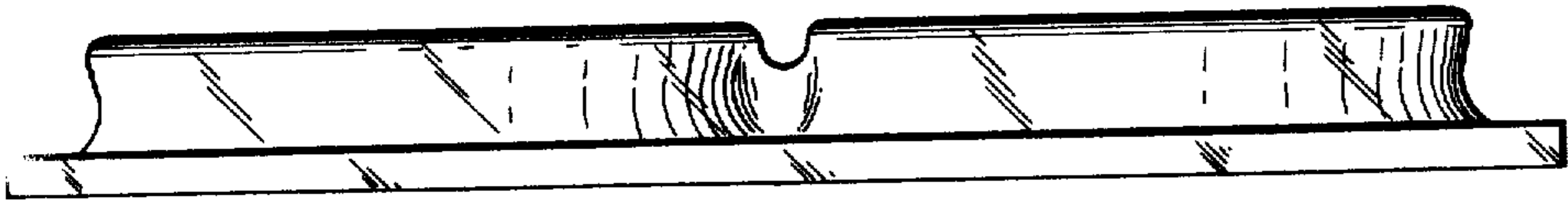


FIG. 3

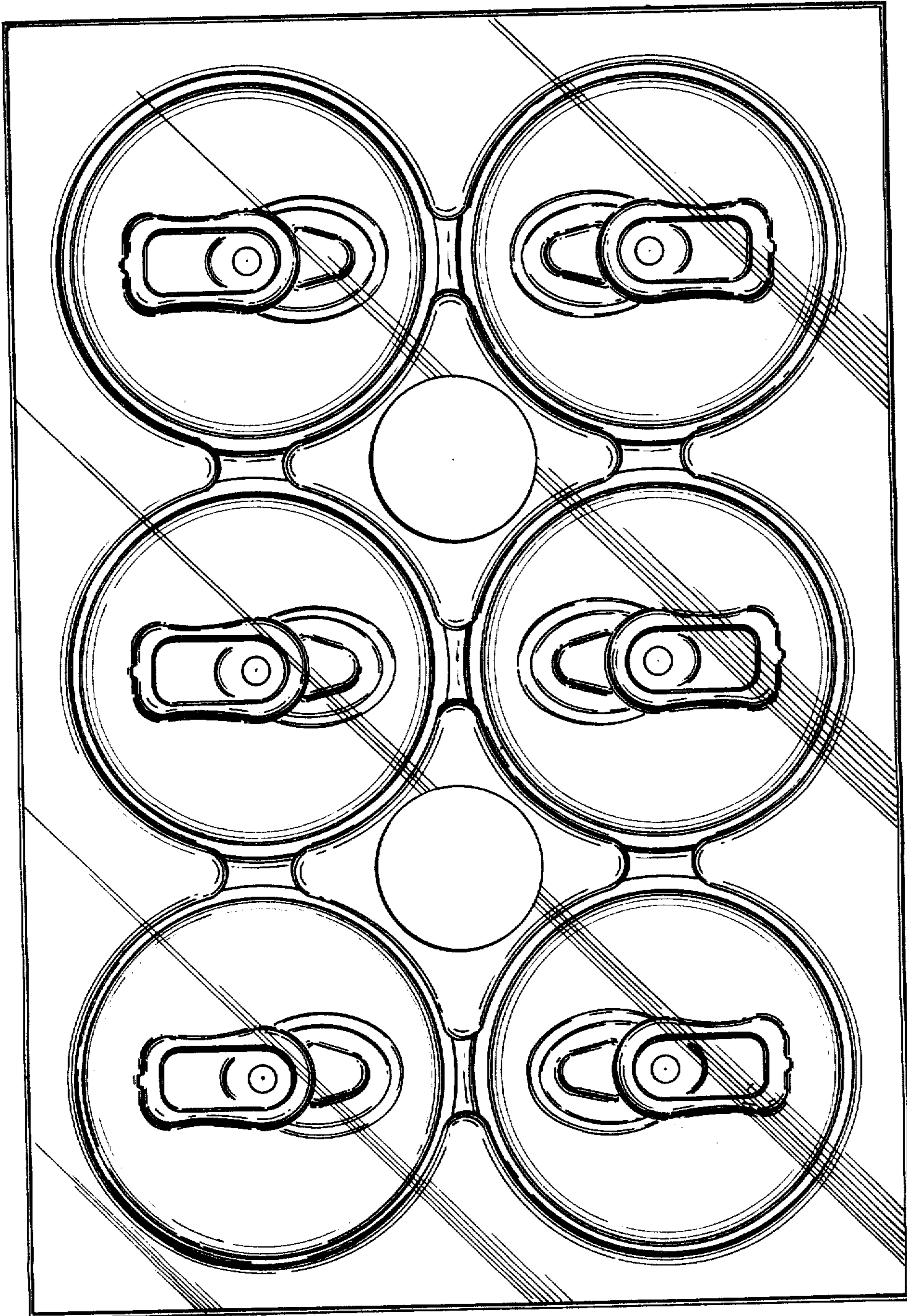


FIG. 2

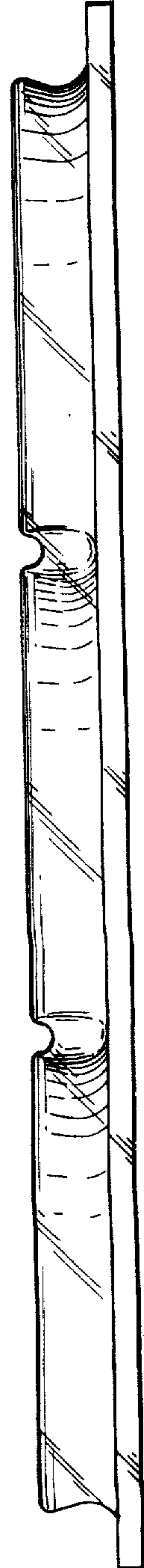


FIG. 4

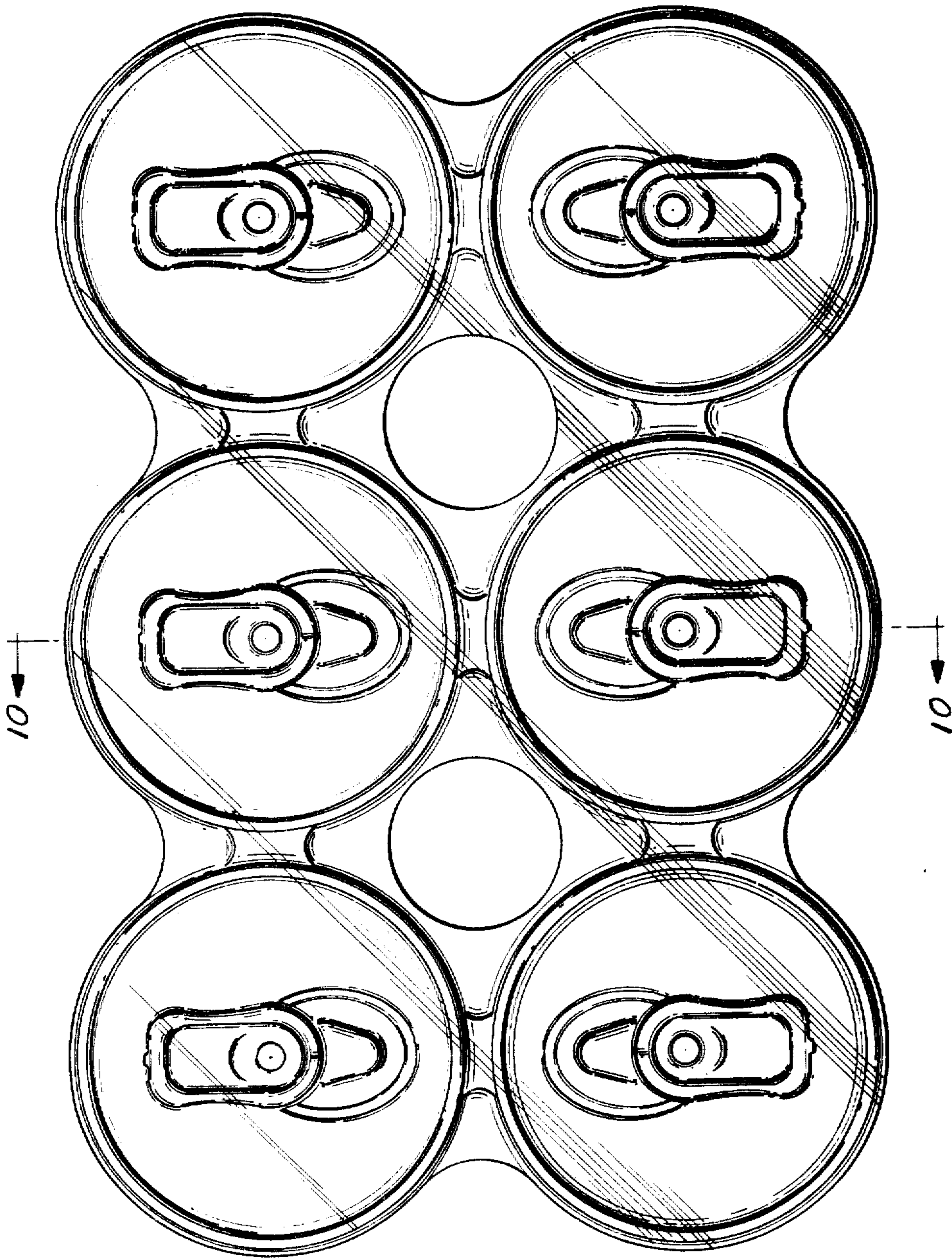


FIG. 6

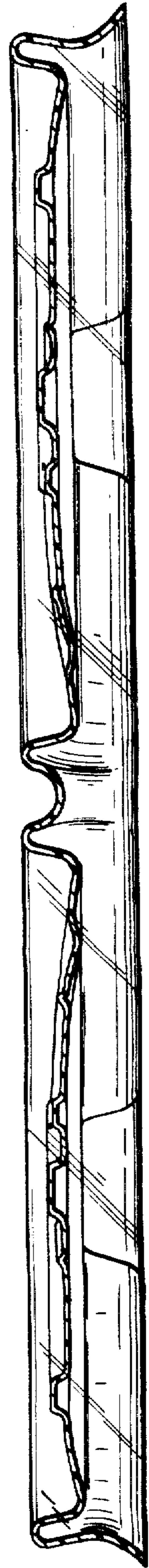


FIG. 10



FIG. 8

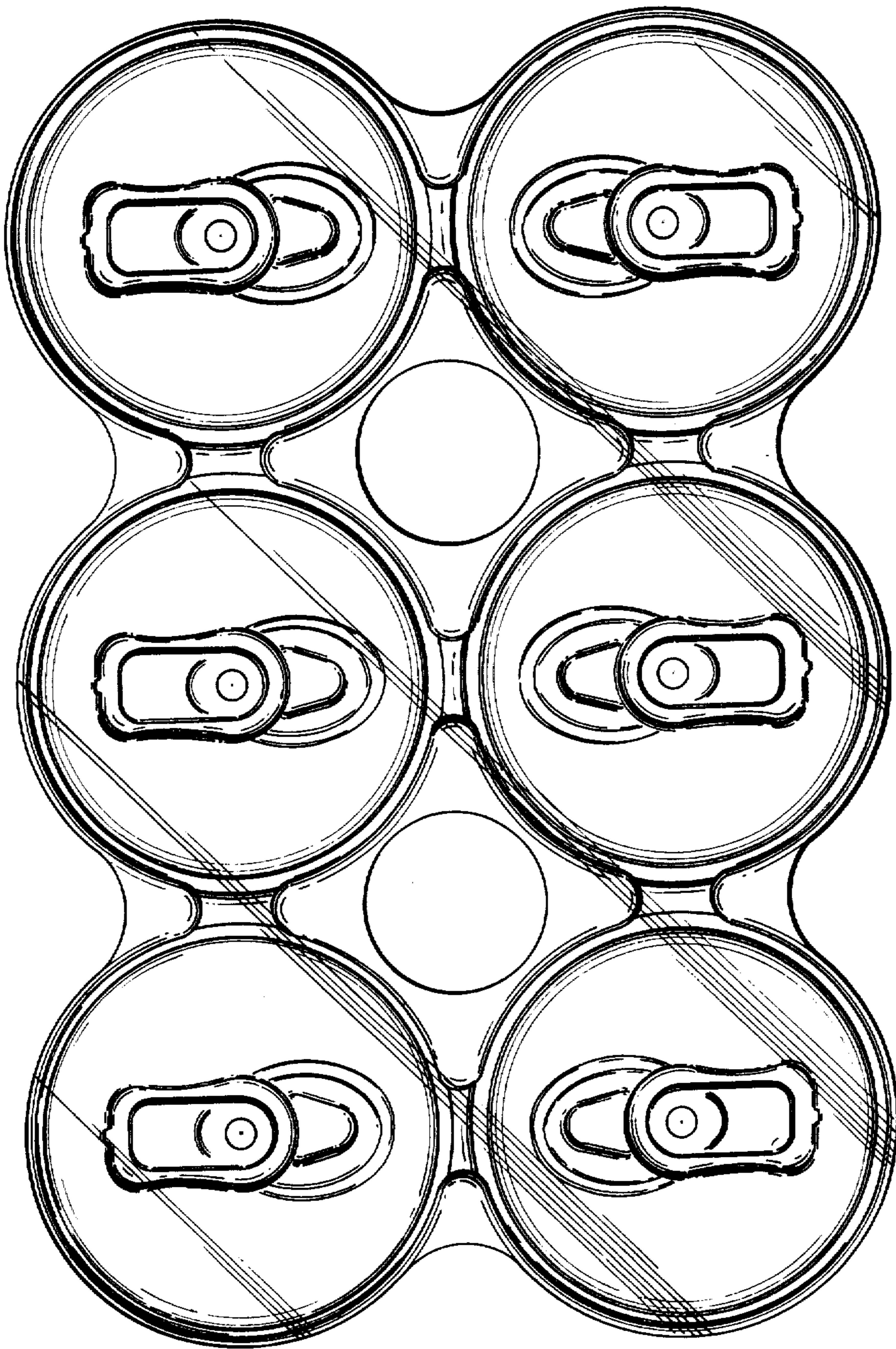


FIG. 7

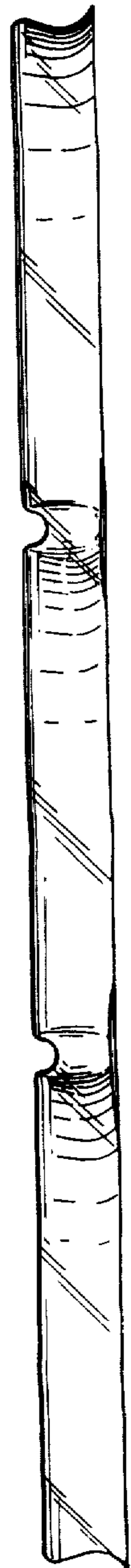


FIG. 9