

[54] **DISPENSER FOR SURGICAL SUTURES**

[75] Inventor: **Seymour Black**, West Hartford, Conn.

[73] Assignee: **American Cyanamid Company**, Stamford, Conn.

[**] Term: **14 Years**

[21] Appl. No.: **136,850**

[22] Filed: **Apr. 3, 1980**

[51] Int. Cl. **D9-03**
 [52] U.S. Cl. **D9/339; D24/99; D24/34**

[58] **Field of Search** 206/572, 561, 570, 571, 206/828; D9/341, 339; D24/27, 34, 29, 56, 99

[56] **References Cited**

U.S. PATENT DOCUMENTS

D. 198,542 6/1964 Tapper D9/339
 D. 210,316 2/1968 Wolski D9/339

D. 252,912 9/1979 Rideout, Jr. D9/339
 3,650,393 3/1972 Reiss et al. 206/571
 4,078,661 3/1978 Thomas 206/533
 4,113,090 9/1978 Carstens 206/571 X
 4,216,860 8/1980 Helmann 206/572

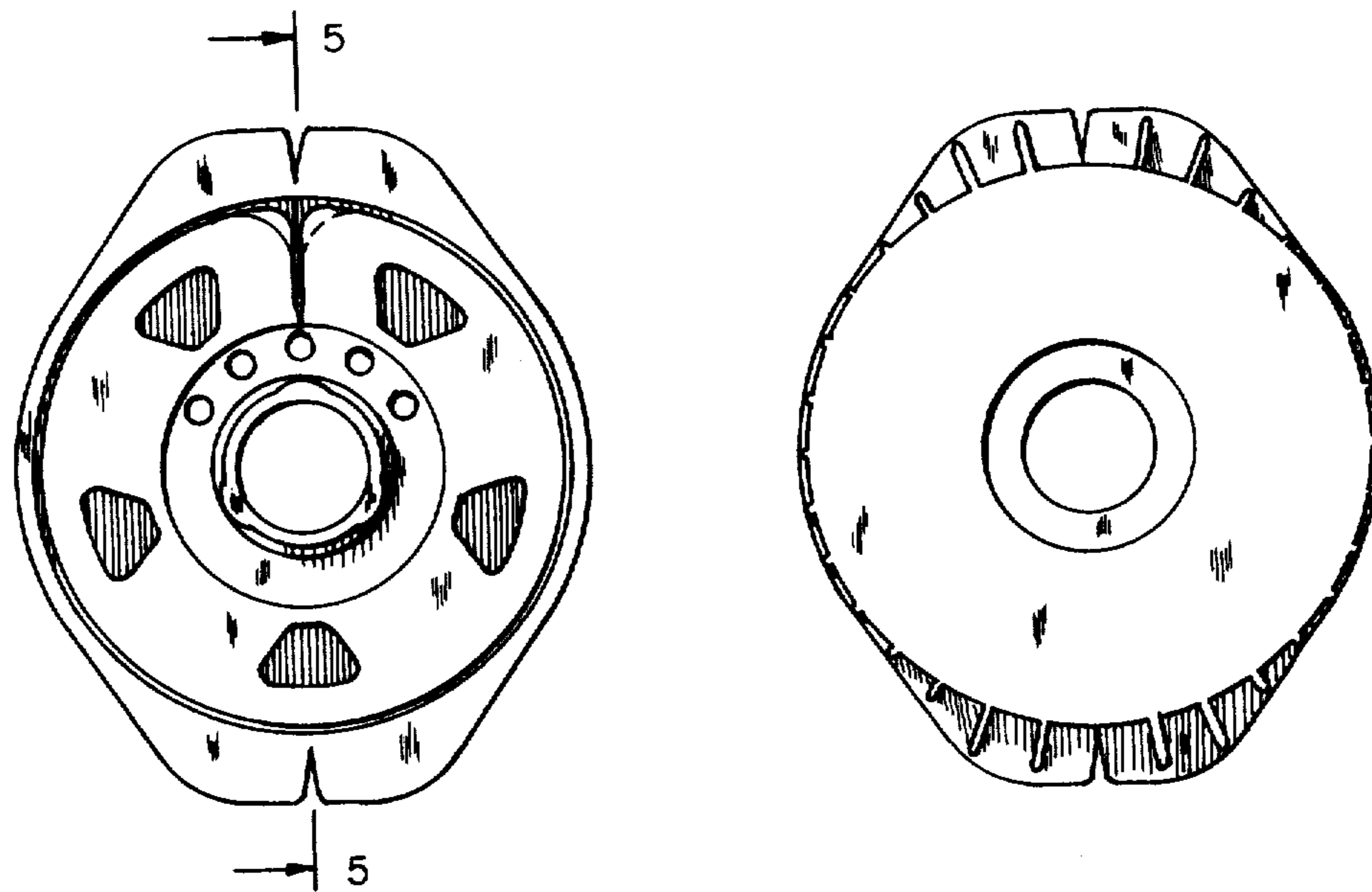
Primary Examiner—Bernard Ansher
Attorney, Agent, or Firm—Jack W. Richards

[57] **CLAIM**

The ornamental design for a dispenser for surgical sutures, substantially as shown and described.

DESCRIPTION

FIG. 1 is a front elevation of a dispenser for surgical sutures showing my new design; FIG. 2 is a rear elevation thereof; FIG. 3 is a top plan view thereof; FIG. 4 is a side elevation thereof; FIG. 5 is a cross section taken on line 5—5 of FIG. 1; FIG. 6 is an exploded perspective view; and FIG. 7 is a perspective of a modified form of opaque reel as distinguished from the transparent reel element illustrated in FIG. 6.



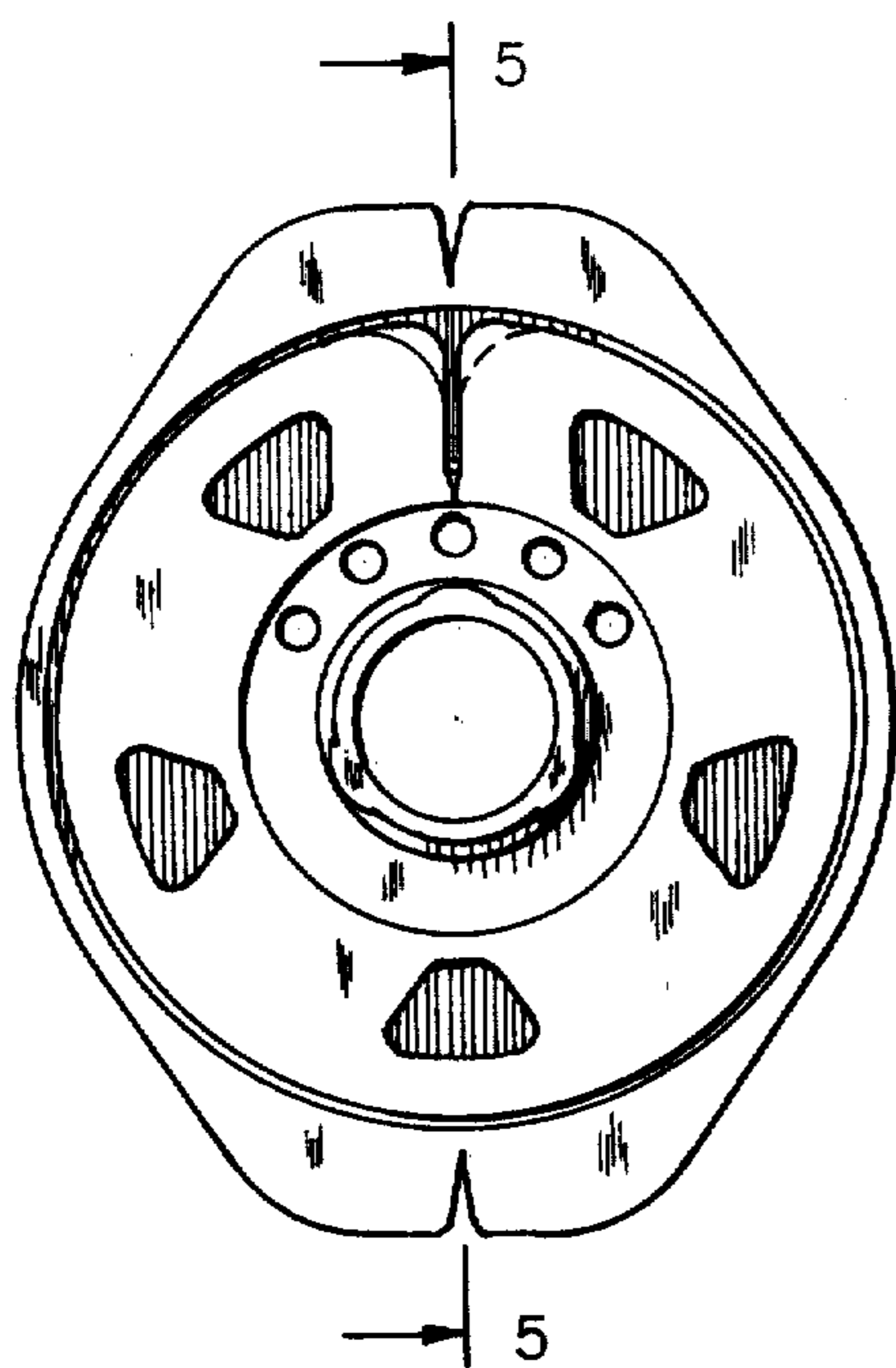


FIG. 1

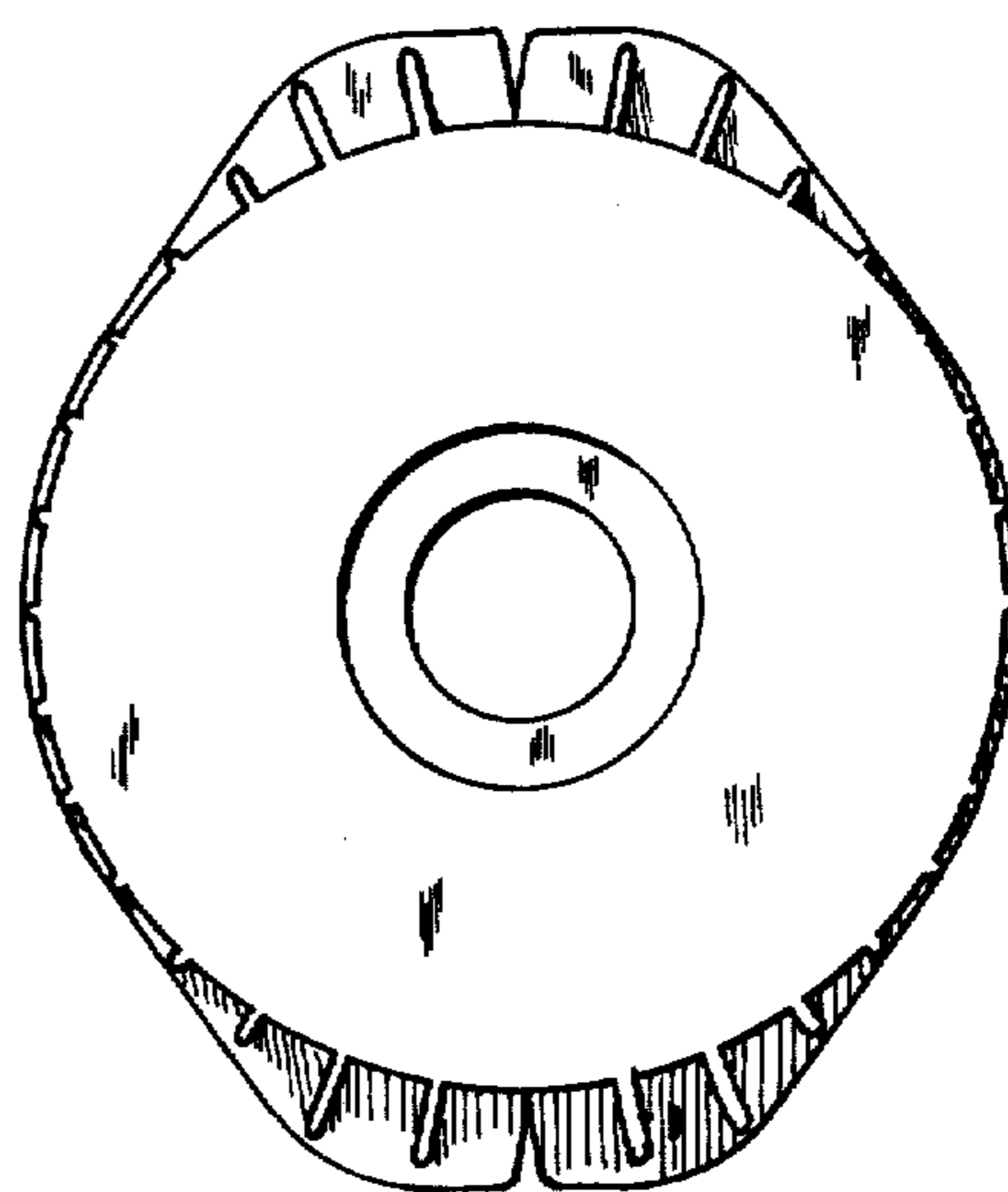


FIG. 2



FIG. 4



FIG. 3

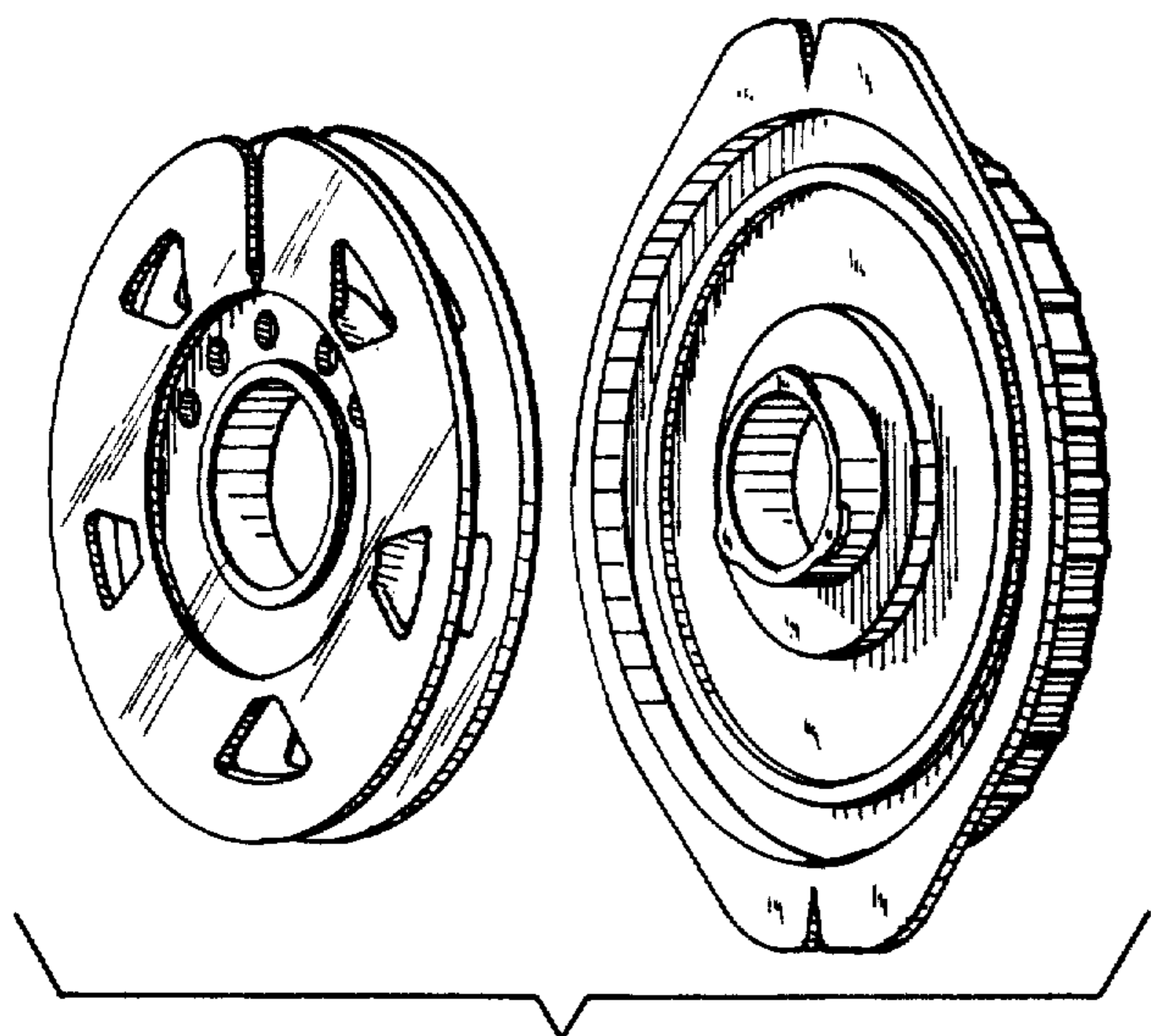


FIG. 6

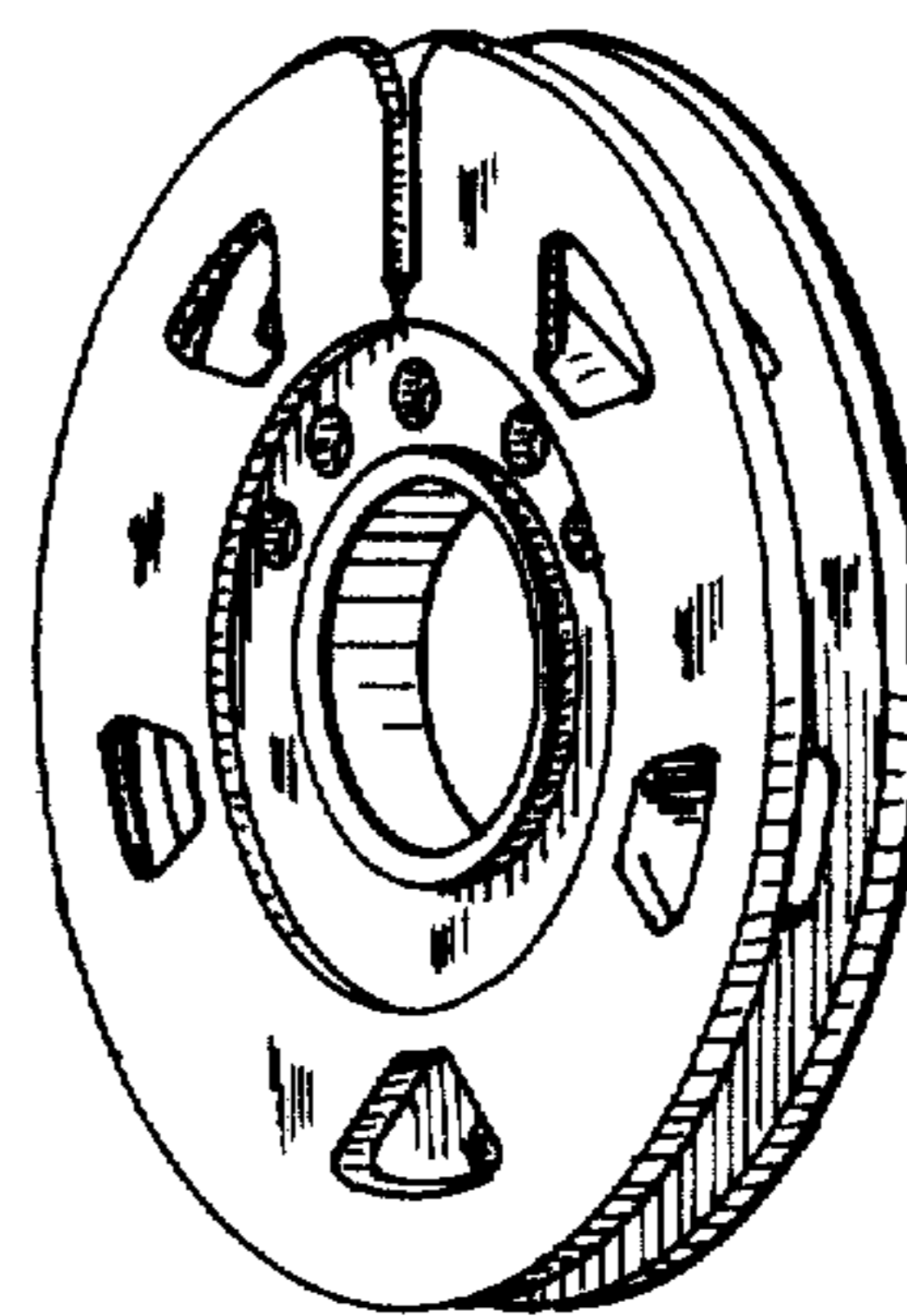


FIG. 7



FIG. 5