

[54] **LATCH HOUSING WITH PUSH BUTTON**
 [75] Inventors: **Edwin W. Davis, Medina; Lee S. Weinerman, Cleveland, both of Ohio**
 [73] Assignee: **The Eastern Company, Cleveland, Ohio**
 [**] Term: **14 Years**
 [21] Appl. No.: **131,779**
 [22] Filed: **Mar. 19, 1980**
 [51] Int. Cl. **D8-06**
 [52] U.S. Cl. **D8/302**
 [58] Field of Search **D8/300, 302, 331, 306, D8/308; 292/216, 336.3, 213, 218; 70/145**

[56] **References Cited**

U.S. PATENT DOCUMENTS

| | | | | |
|------------|---------|-----------------|-------|----------|
| D. 218,672 | 9/1970 | Lauper | | D8/302 |
| D. 230,132 | 1/1974 | Parma | | D8/302 X |
| 269,953 | 1/1883 | Moritz | | 70/218 |
| 528,450 | 10/1894 | Swanberg | | 70/107 |
| 1,751,184 | 3/1930 | Wodarra | | 70/145 |
| 1,785,381 | 12/1930 | Holtzman | | 70/131 |
| 1,840,062 | 1/1932 | Taylor | | 292/164 |
| 1,909,210 | 5/1932 | Miller | | 292/164 |
| 1,911,564 | 5/1933 | Gahagan | | 70/221 |
| 1,960,410 | 5/1934 | Christensen | | 70/91 |
| 1,964,066 | 6/1934 | Kuszmaul | | 70/29 |
| 2,053,805 | 9/1936 | Van Note | | 292/167 |
| 2,075,948 | 4/1937 | Kuszmaul | | 70/146 |
| 2,117,715 | 5/1938 | Godfried | | 70/149 |
| 2,274,455 | 2/1942 | Murphy | | 70/149 |
| 2,322,892 | 6/1943 | Springer | | 70/148 |
| 2,453,505 | 11/1948 | Fornwald | | 70/283 |
| 2,459,029 | 1/1949 | Ingres et al. | | 70/264 |
| 2,468,644 | 4/1949 | Springer | | 292/210 |
| 2,582,928 | 1/1952 | Dall | | 70/149 |
| 2,603,963 | 7/1952 | Allen | | 70/266 |
| 2,629,618 | 2/1953 | Roethel | | 292/280 |
| 2,649,321 | 8/1953 | Smith | | 292/5 |
| 2,658,781 | 11/1953 | Allen | | 292/216 |
| 2,700,290 | 1/1955 | Dall | | 70/135 |
| 2,705,882 | 4/1955 | Craig | | 70/135 |
| 2,705,884 | 4/1955 | Craig | | 70/264 |
| 2,723,145 | 11/1955 | Smith | | 292/223 |
| 2,728,214 | 12/1955 | Craig | | 70/149 |
| 2,772,908 | 12/1955 | Craig | | 292/280 |
| 2,773,716 | 12/1956 | Craig | | 292/280 |
| 2,782,062 | 2/1957 | Smith | | 292/216 |
| 2,877,043 | 3/1959 | Leslie | | 292/280 |
| 2,955,864 | 10/1960 | Van Voorhees | | 292/280 |
| 2,978,895 | 4/1961 | Heisler | | 70/57 |
| 2,987,907 | 6/1961 | Cockburn et al. | | 70/135 |

| | | | | |
|-----------|---------|-------------------|-------|-------------|
| 2,987,908 | 6/1961 | Pelcin | | D8/331 X |
| 3,007,731 | 11/1961 | Roethel | | 292/280 |
| 3,046,046 | 7/1962 | Matteson | | D8/331 X |
| 3,069,889 | 12/1962 | Johnstone et al. | | 70/147 |
| 3,104,124 | 9/1963 | Beck | | 292/280 |
| 3,121,580 | 2/1964 | Di Salvo et al. | | 292/229 |
| 3,129,026 | 4/1964 | Gergoe et al. | | 292/280 |
| 3,153,551 | 10/1964 | Sandor et al. | | 292/280 |
| 3,171,677 | 3/1965 | Klove, Jr. et al. | | 292/216 |
| 3,309,127 | 3/1967 | Pickles | | 292/216 |
| 3,314,708 | 4/1967 | Welch | | 292/336.5 |
| 3,386,760 | 6/1968 | Bessette | | 292/216 |
| 3,394,957 | 7/1968 | Foley | | 292/216 |
| 3,423,117 | 1/1969 | Klove, Jr. et al. | | 292/216 |
| 3,581,532 | 6/1971 | Andersen et al. | | 292/216 X |
| 3,587,259 | 6/1971 | Sandor | | 70/218 |
| 3,649,061 | 3/1972 | Meyer | | 292/336.3 |
| 3,672,713 | 6/1972 | Pickles | | 292/216 |
| 3,679,251 | 7/1972 | Brockman et al. | | 292/216 |
| 3,695,660 | 10/1972 | Fetters | | 292/216 |
| 3,695,663 | 10/1972 | Cockburn | | 292/216 |
| 3,697,105 | 10/1972 | Marx | | 292/216 |
| 4,116,027 | 9/1978 | Tannery | | 70/472 |
| 4,170,119 | 10/1979 | Kalis, Jr. | | 70/221 |
| 4,205,868 | 6/1980 | Kurth | | 292/336.3 X |

FOREIGN PATENT DOCUMENTS

| | | | |
|--------|--------|----------------------|---|
| 135399 | 9/1947 | Australia | . |
| 717308 | 2/1942 | Fed. Rep. of Germany | . |

OTHER PUBLICATIONS

Trimarc Corporation Brochure showing a 7105 Series Lock.

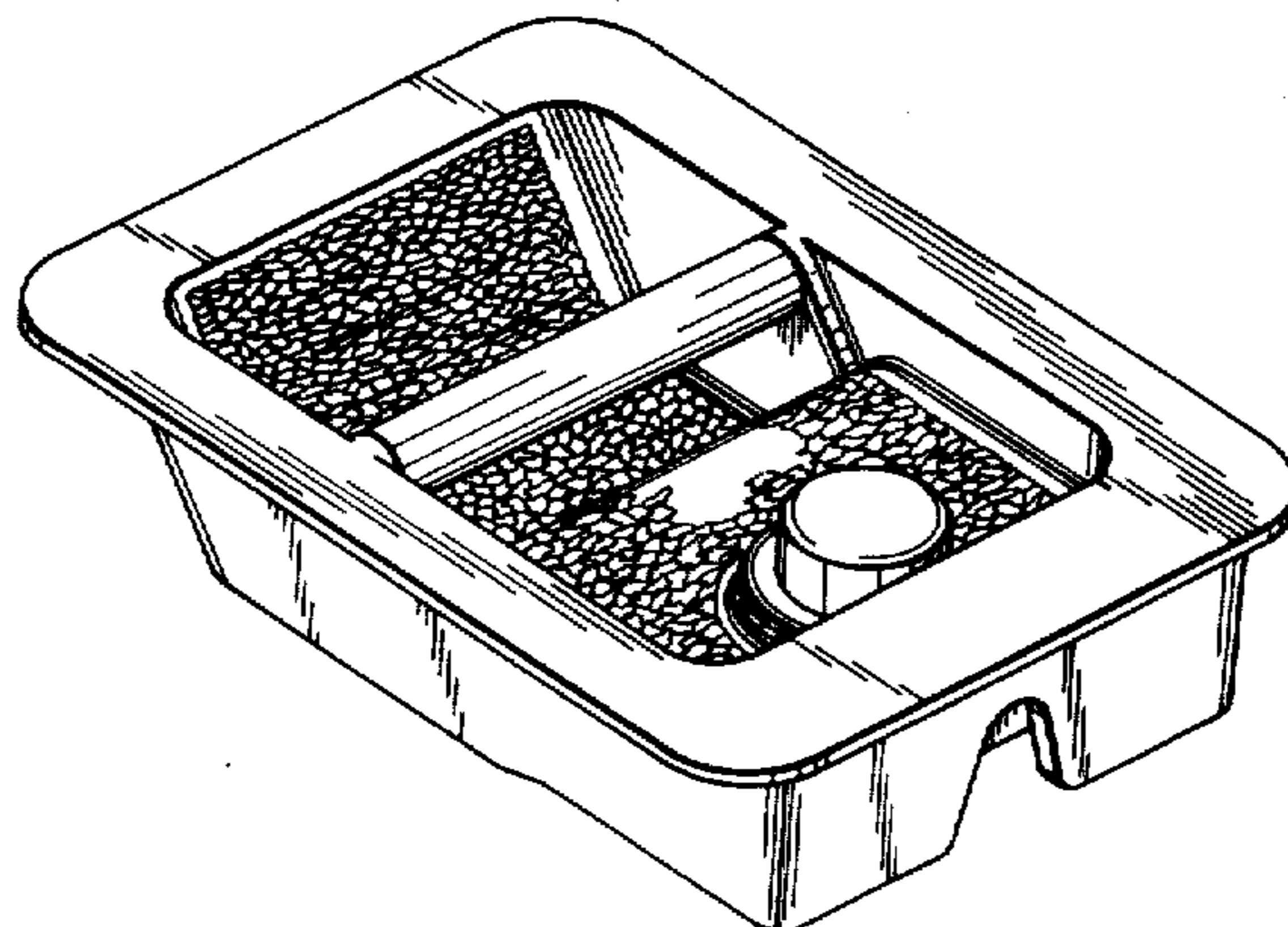
Primary Examiner—A. Hugo Word
Attorney, Agent, or Firm—David A. Burge Co.

[57] **CLAIM**

The ornamental design for a latch housing with push button, as shown and described.

DESCRIPTION

FIG. 1 is a perspective view of a latch housing with push button embodying the design of the present invention;
 FIG. 2 is an end elevational view thereof;
 FIG. 3 is a bottom plan view thereof;
 FIG. 4 is a side elevational view thereof;
 FIG. 5 is a sectional view thereof as seen from a plane indicated by a line 5—5 in FIG. 2; and,
 FIG. 6 is a top plan view thereof on an enlarged scale.



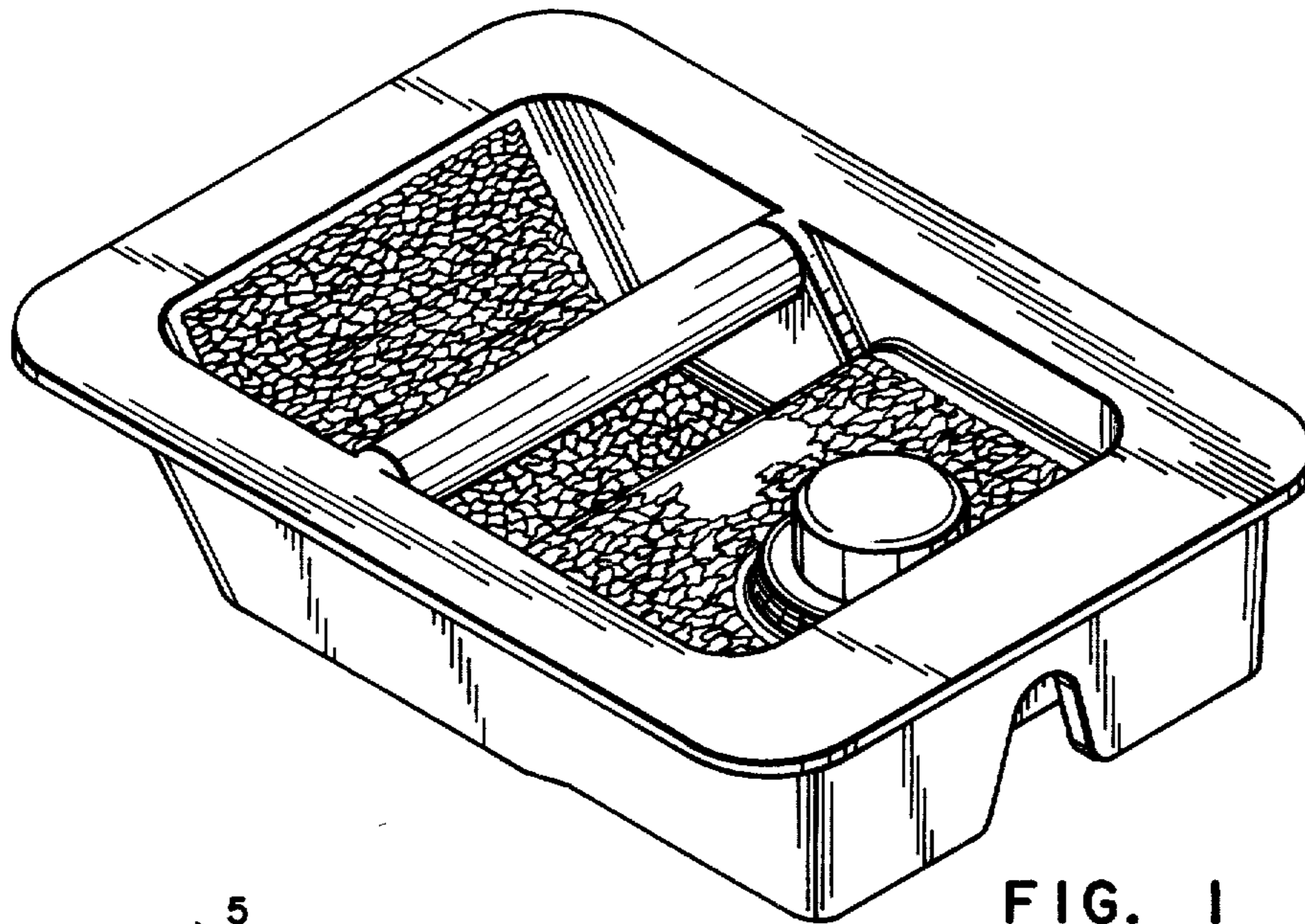


FIG. 1

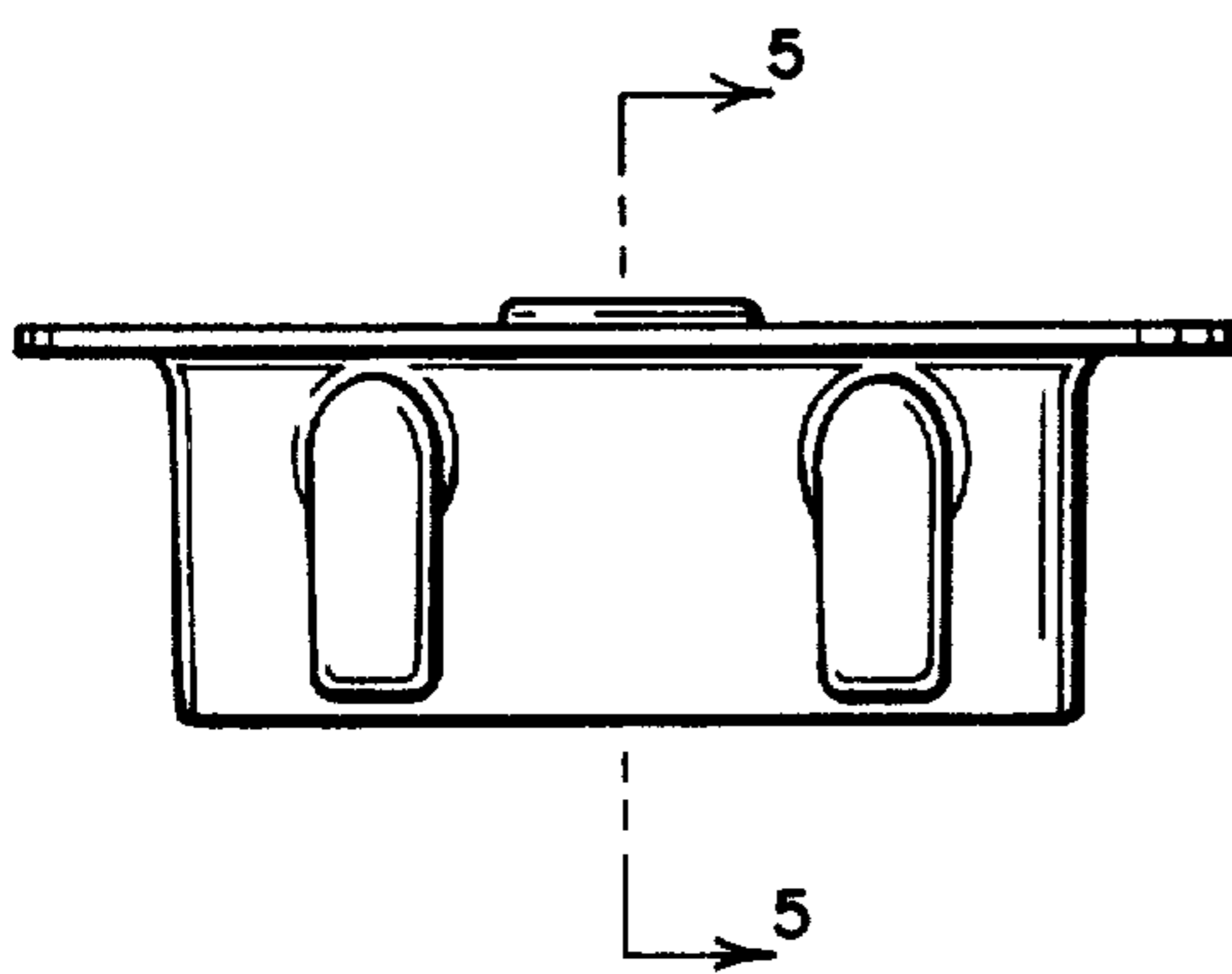


FIG. 2

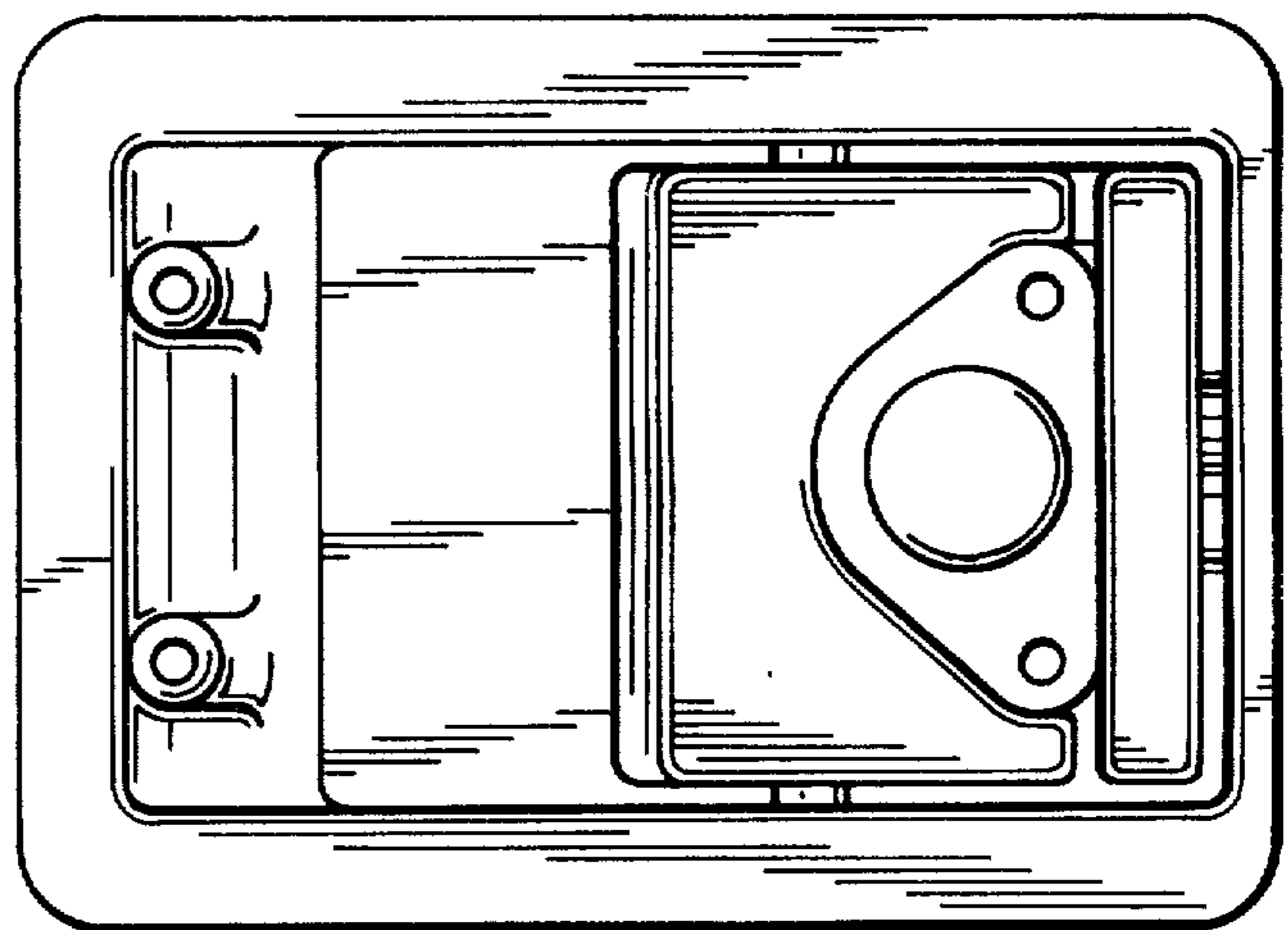


FIG. 3

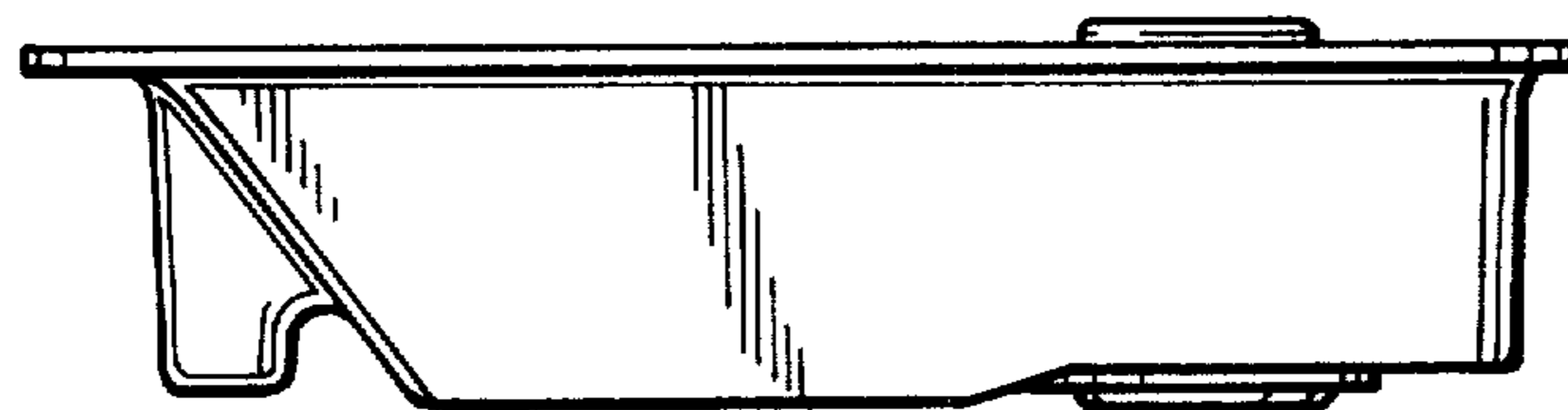


FIG. 4

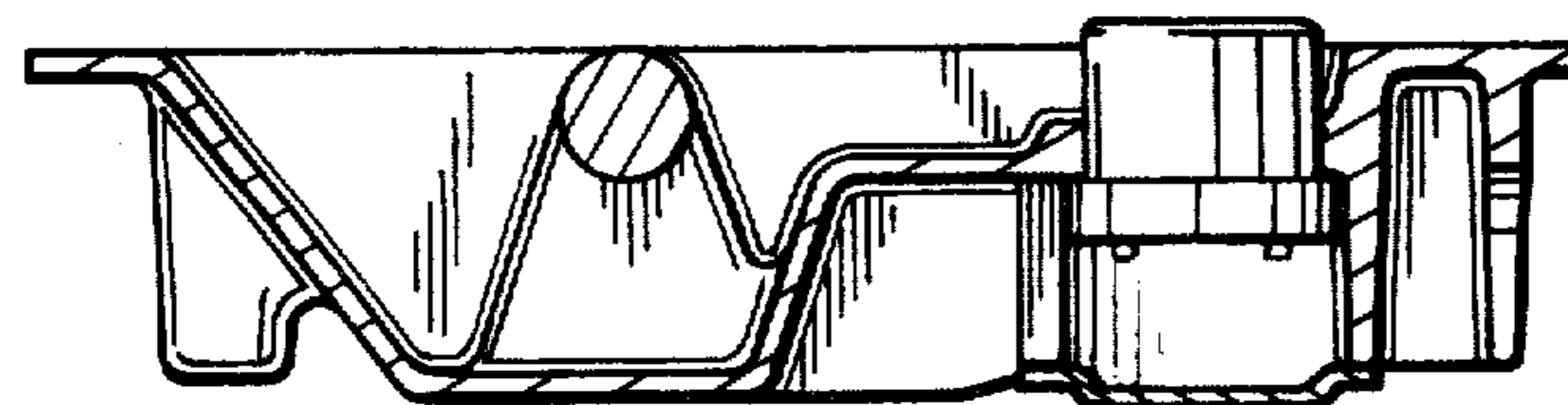


FIG. 5

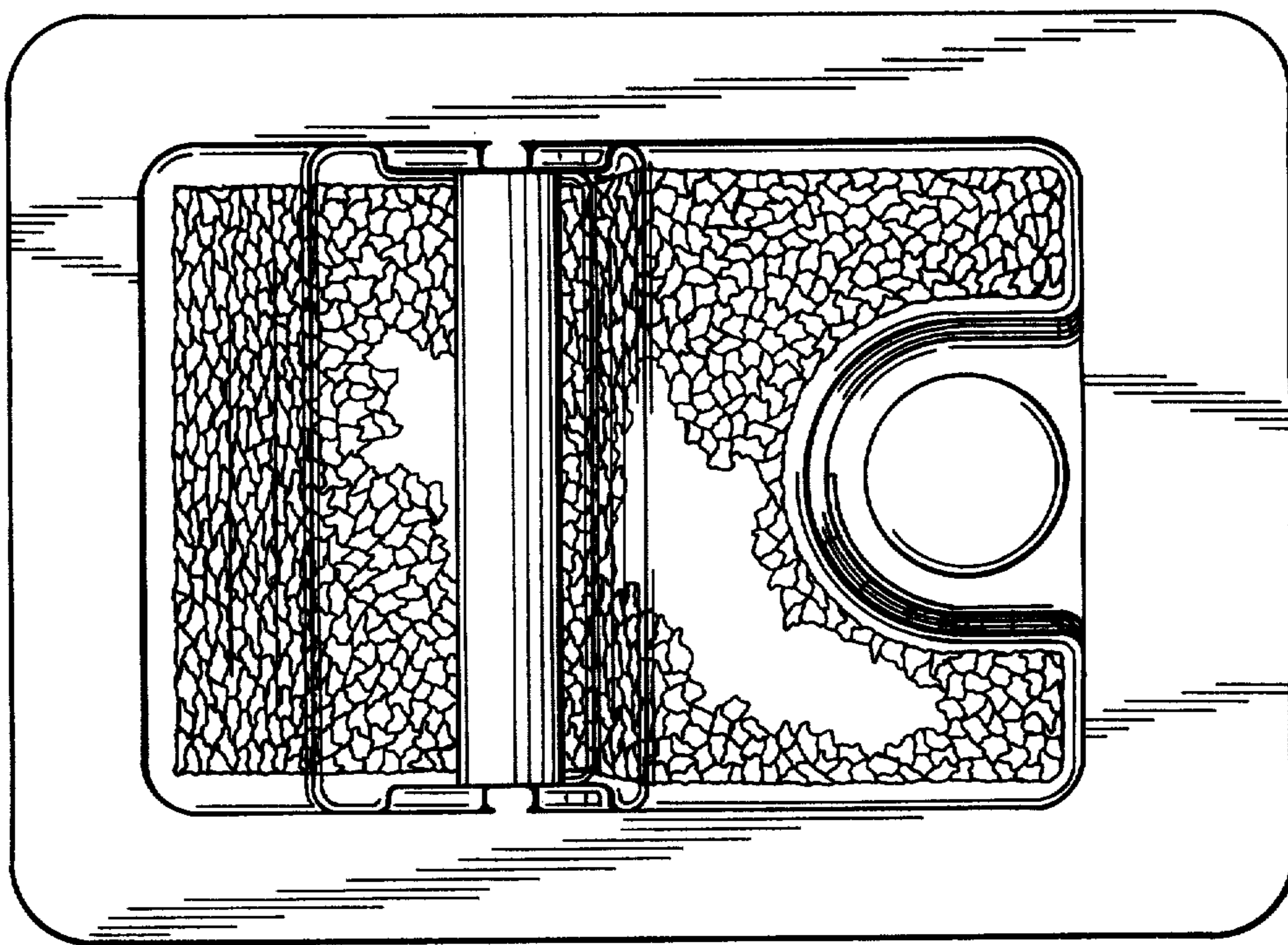


FIG. 6