

[54] SLITTER

[76] Inventors: **Harold G. Murdock**, 30 Eastfield Dr., Rolling Hills, Calif. 90274; **Laverne B. Moore**, 17701 Avalon, Space 288, Carson, Calif. 90746

[**] Term: **14 Years**

[21] Appl. No.: **121,713**

[22] Filed: **Feb. 15, 1980**

[51] Int. Cl. **D8-03**

[52] U.S. Cl. **D8/98**

[58] Field of Search 30/2, 293, 320, 335, 30/336, 294, 329, DIG. 8; D8/98-104

[56] **References Cited**

U.S. PATENT DOCUMENTS

- D. 234,490 3/1975 Barlow D8/98
- D. 256,883 9/1980 Wharmby D8/98
- 2,624,116 1/1953 Steinke 30/320
- 3,990,147 11/1976 Gill et al. 30/293 X

- 4,012,836 3/1977 Baer et al. D8/98 X
- 4,135,300 1/1979 Bradley 30/294 X

Primary Examiner—A. Hugo Word
Attorney, Agent, or Firm—George F. Bethel; Patience K. Bethel

[57] **CLAIM**

The ornamental design for a slitter, substantially as shown.

DESCRIPTION

FIG. 1 shows our new design for a slitter in perspective view;

FIG. 2 is a side elevation view looking from the right-hand side of the showing of FIG. 1;

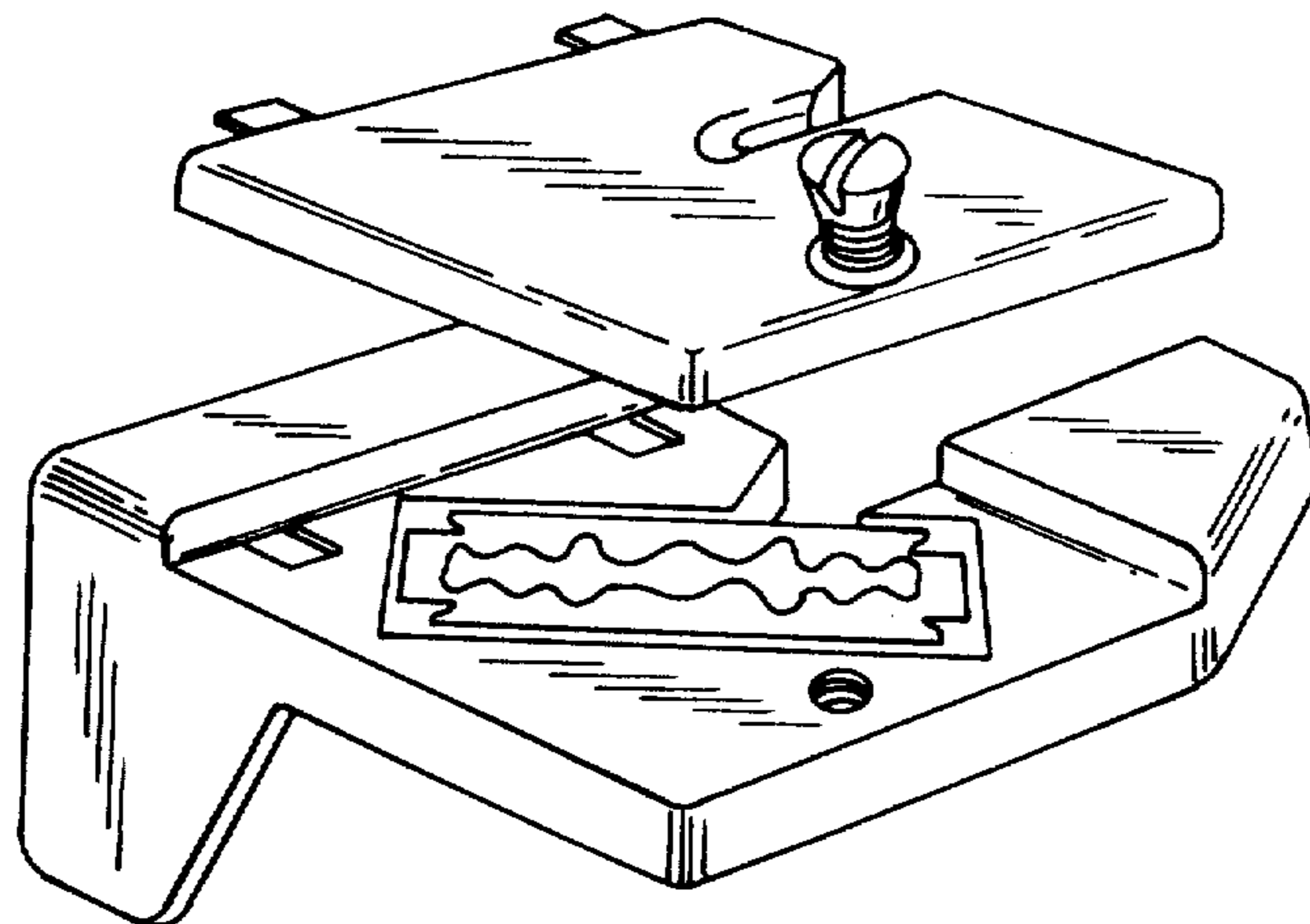
FIG. 3 is a bottom view looking upwardly at the slitter shown in FIG. 1;

FIG. 4 is a view looking from the left side of the end of our slitter, as shown in FIG. 1;

FIG. 5 is a top plan view of our slitter;

FIG. 6 is a front end view of our slitter; and,

FIG. 7 is a view of our slitter looking from the unexposed side of FIG. 1;



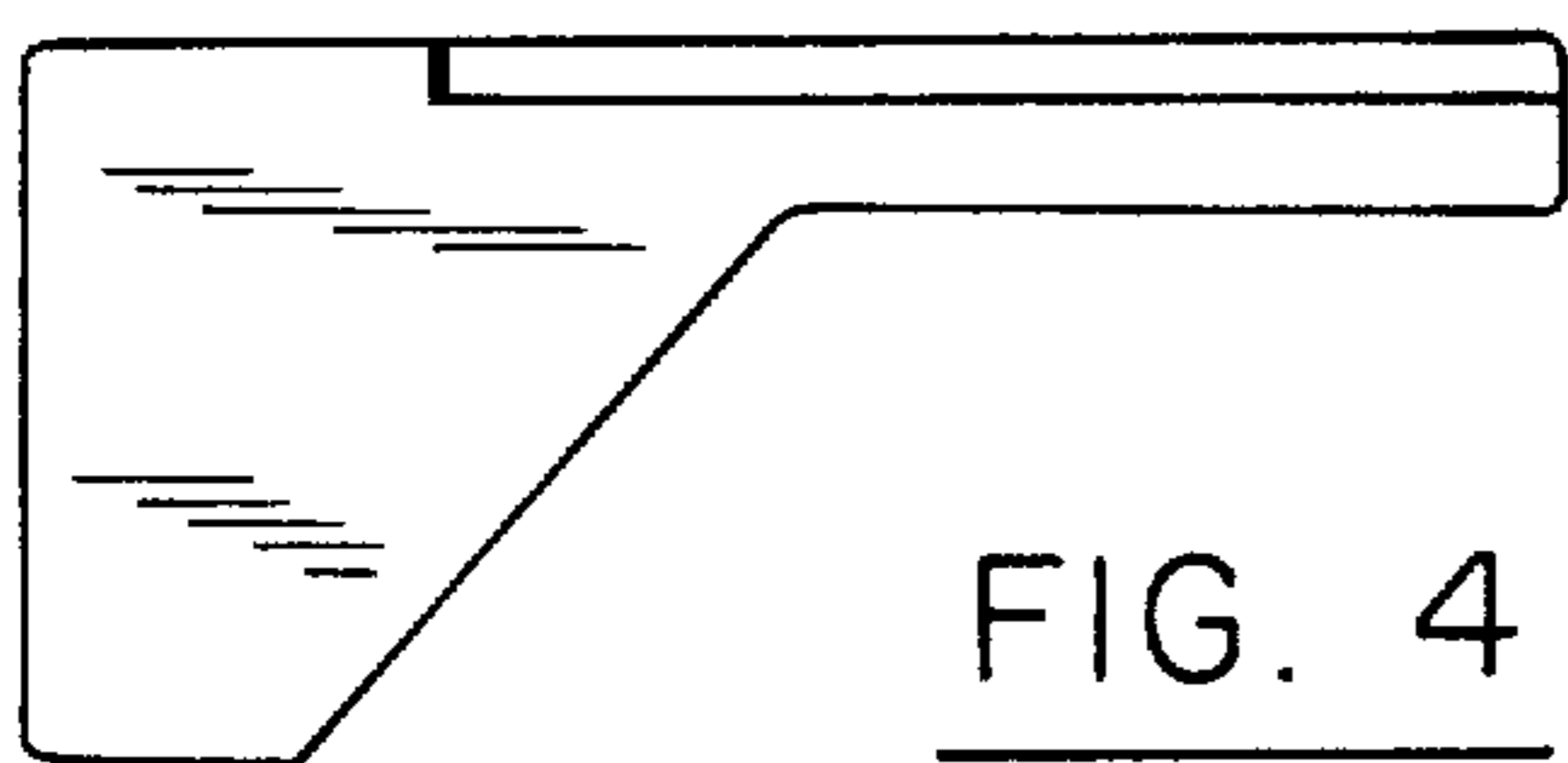


FIG. 4

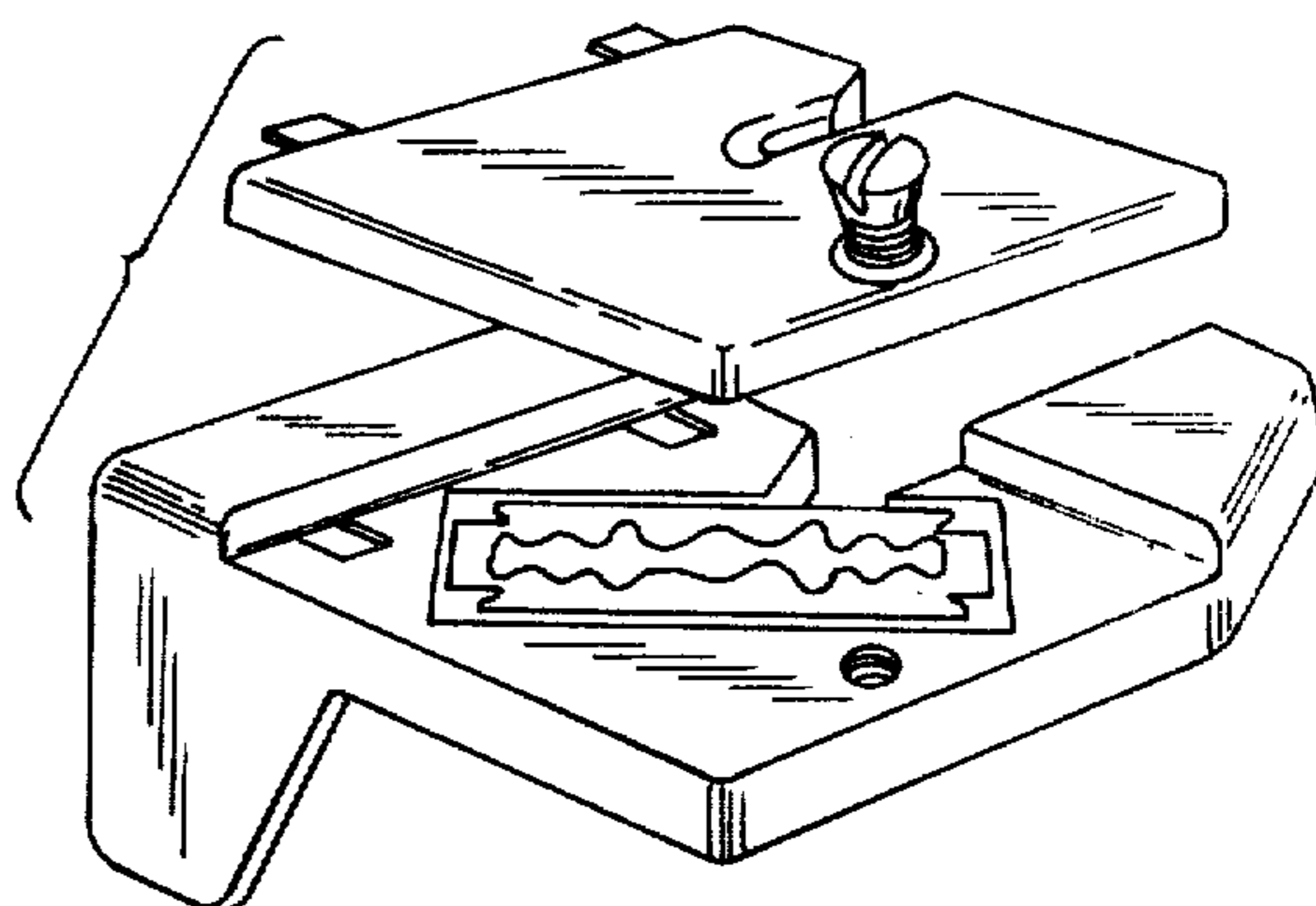


FIG. 1

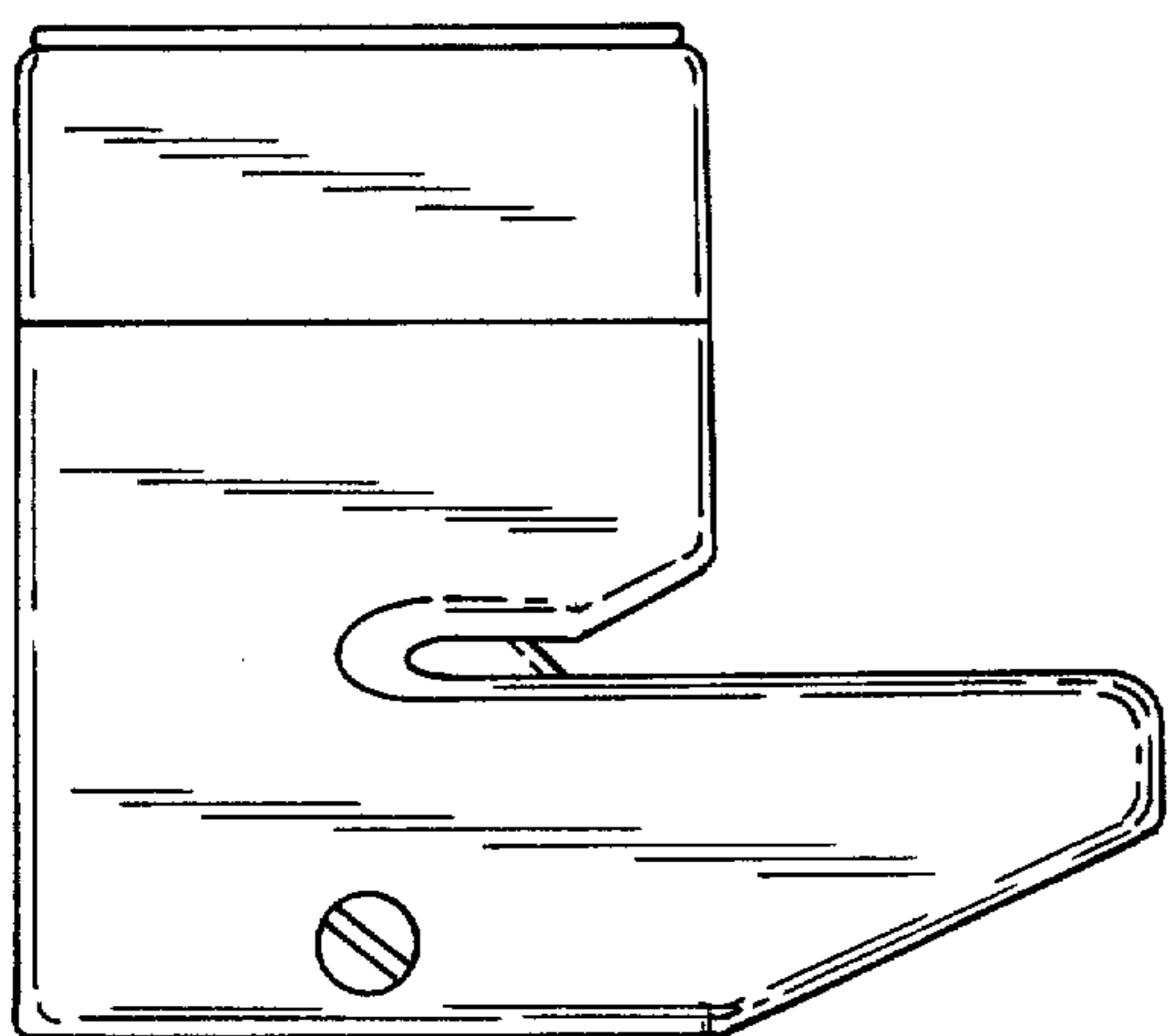


FIG. 5

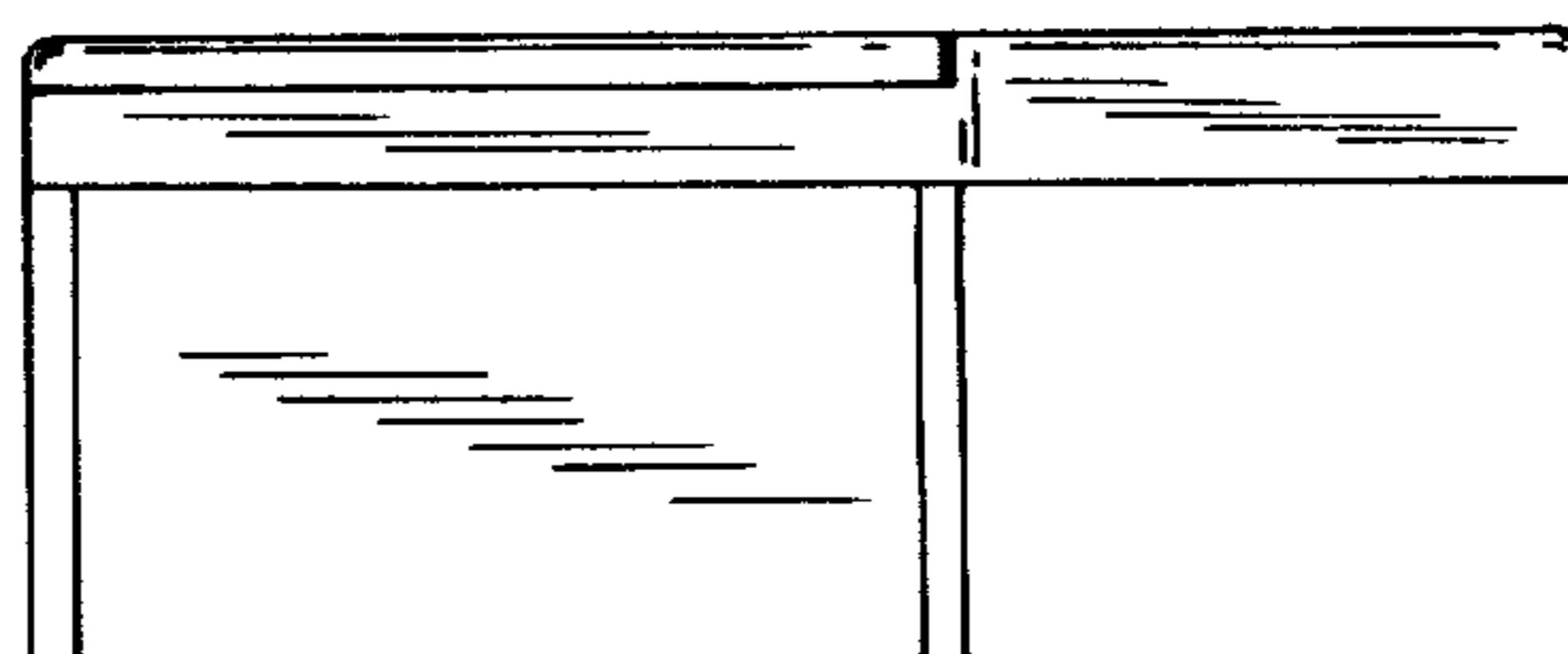


FIG. 2

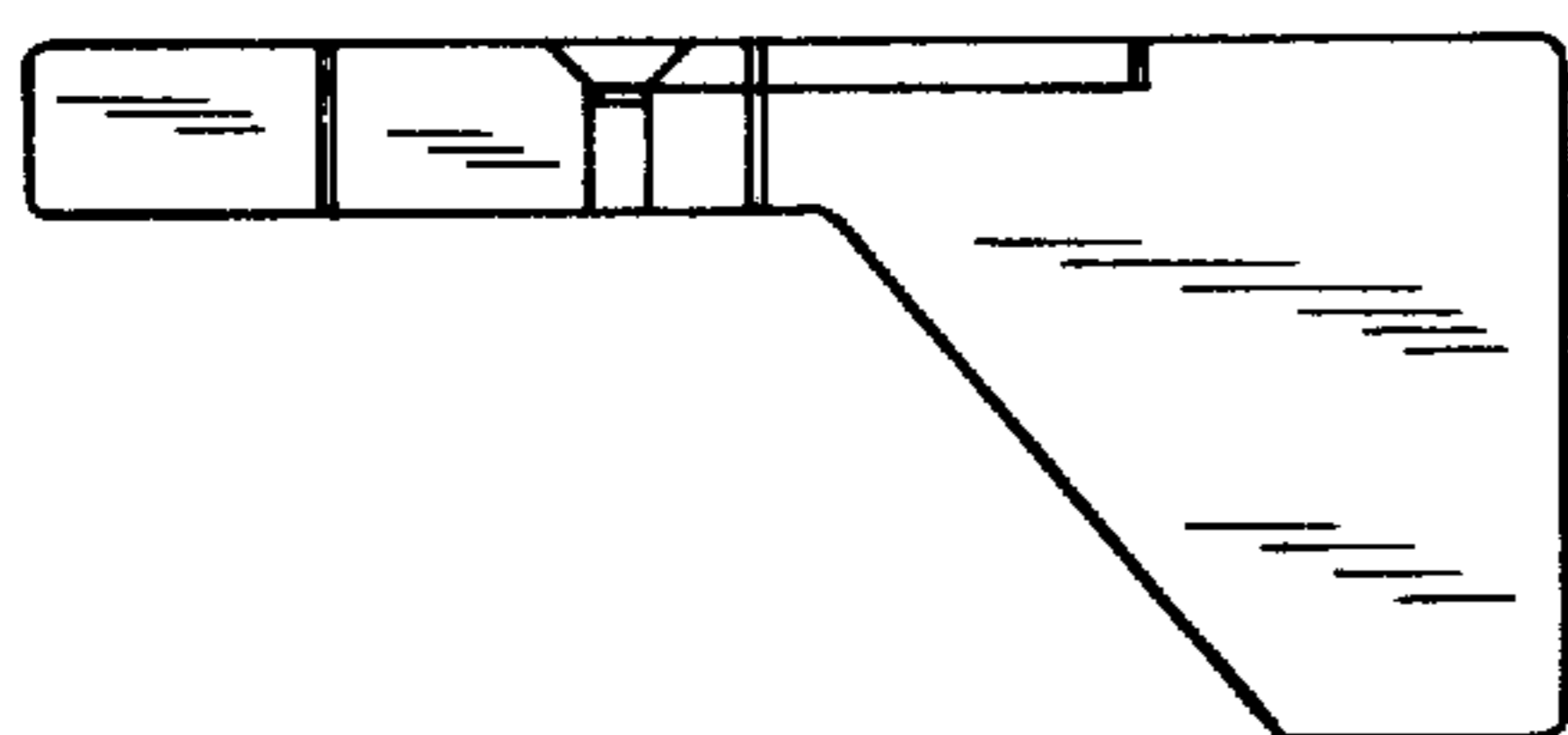


FIG. 6

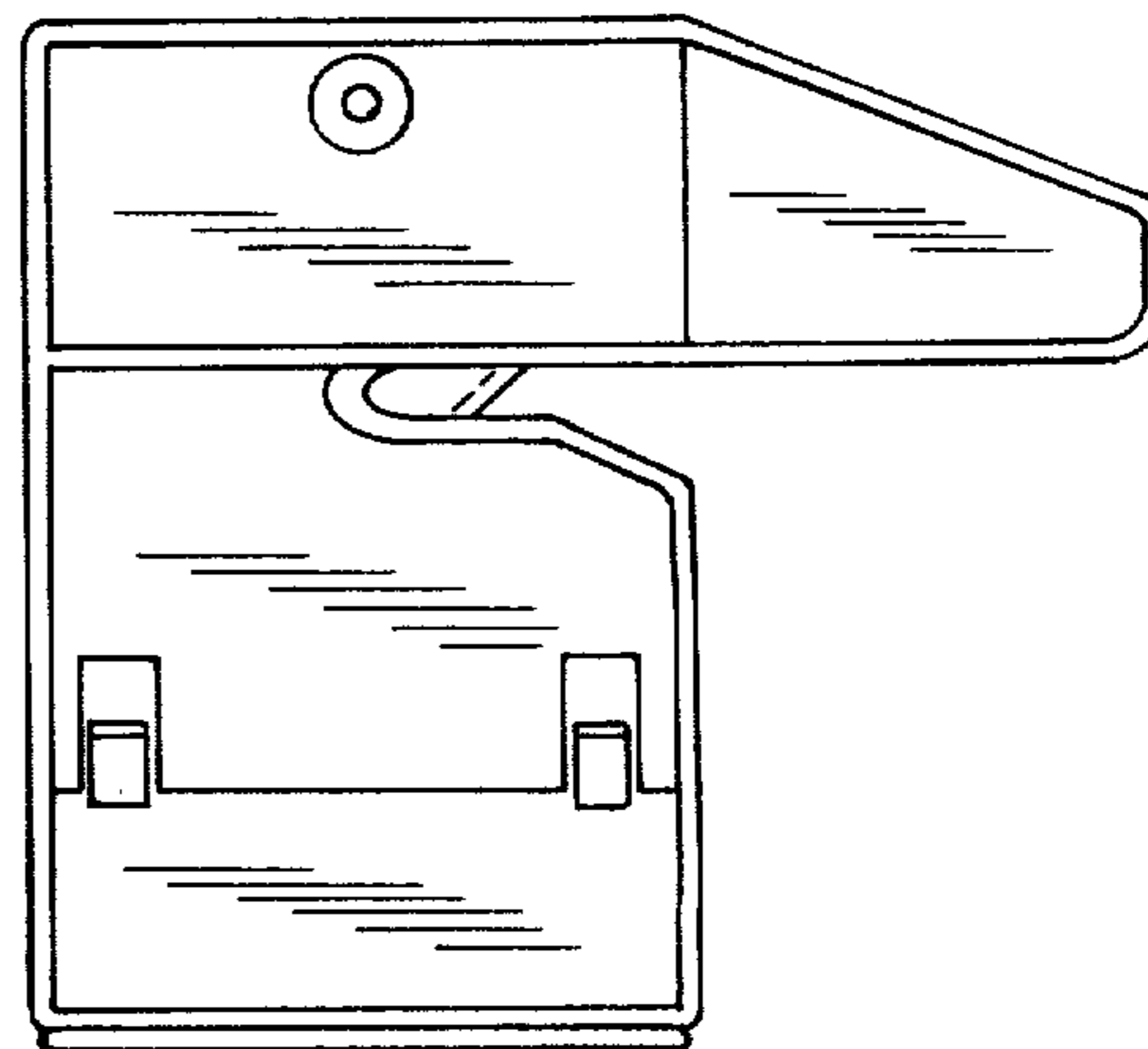


FIG. 3

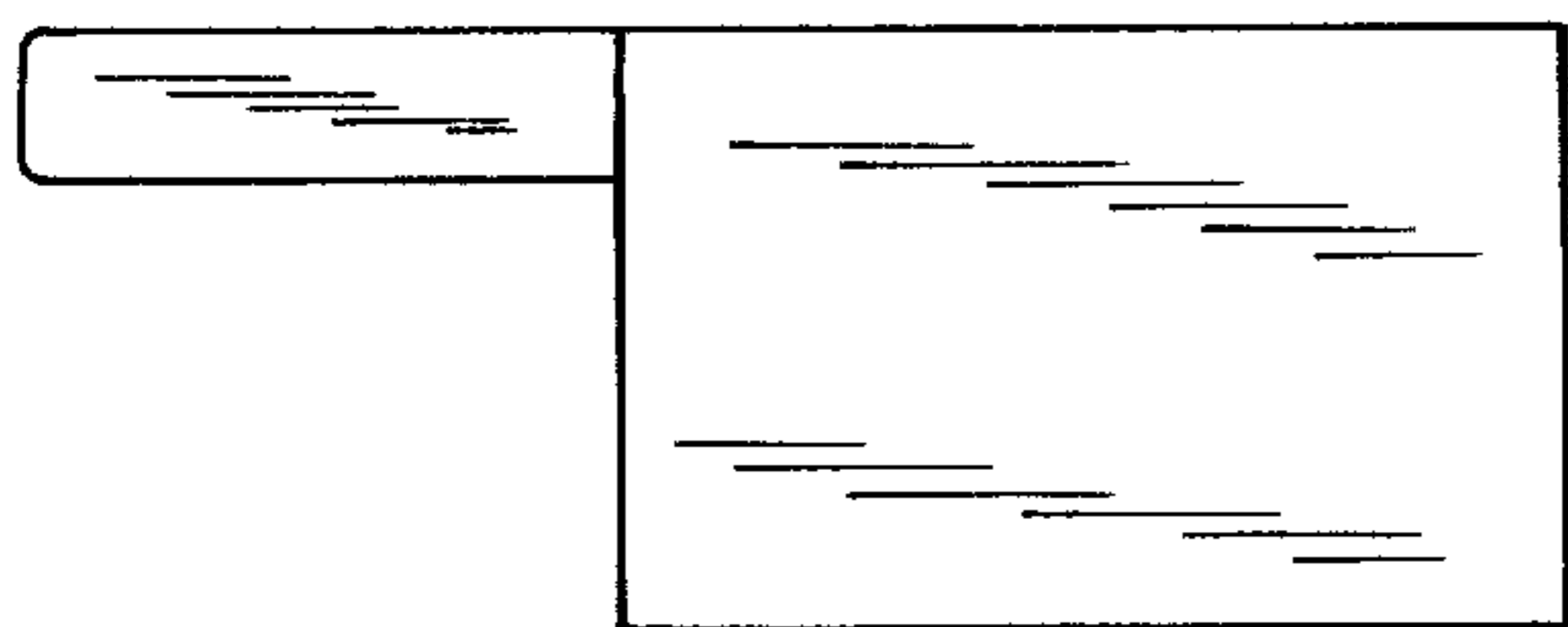


FIG. 7