

[54] CORNER CONNECTOR FOR FURNITURE PANELS

[75] Inventors: Alan E. Blum, Frontenac; Thomas F. Gambon, St. Louis, both of Mo.

[73] Assignee: Charleswood Furniture Corp., Wright City, Mo.

[\*\*] Term: 14 Years

[21] Appl. No.: 65,895

[22] Filed: Aug. 13, 1979

[51] Int. Cl. .... D6-99

[52] U.S. Cl. .... D6/191

[58] Field of Search ..... D6/85, 191; D25/74, D25/77; 403/167, 168, 172, 175; 52/155, 237, 239

[56] References Cited  
U.S. PATENT DOCUMENTS

- D. 240,915 8/1976 Green ..... D25/74 X
- D. 246,991 1/1978 Green ..... D25/74 X

- D. 255,886 7/1980 Flynn ..... D25/74 X
- 3,310,928 3/1967 Weimar ..... D25/74 X
- 4,089,497 5/1978 Miller et al. .... 248/345.1
- 4,091,933 5/1978 Alexander ..... 403/172 X

Primary Examiner—Bruce W. Dunkins  
Attorney, Agent, or Firm—Connolly and Hutz

[57] CLAIM

The ornamental design for a corner connector for furniture panels, as shown and described.

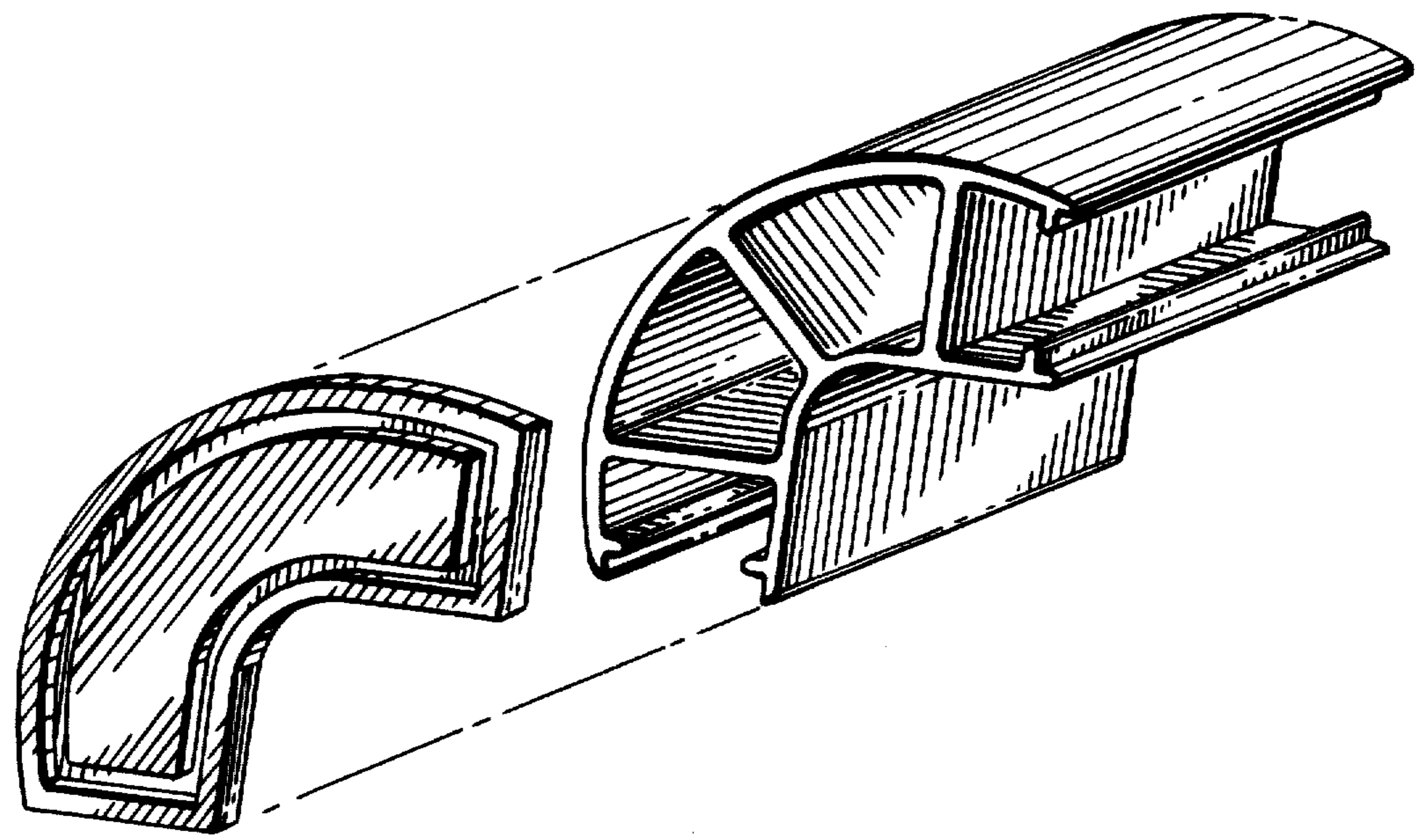
DESCRIPTION

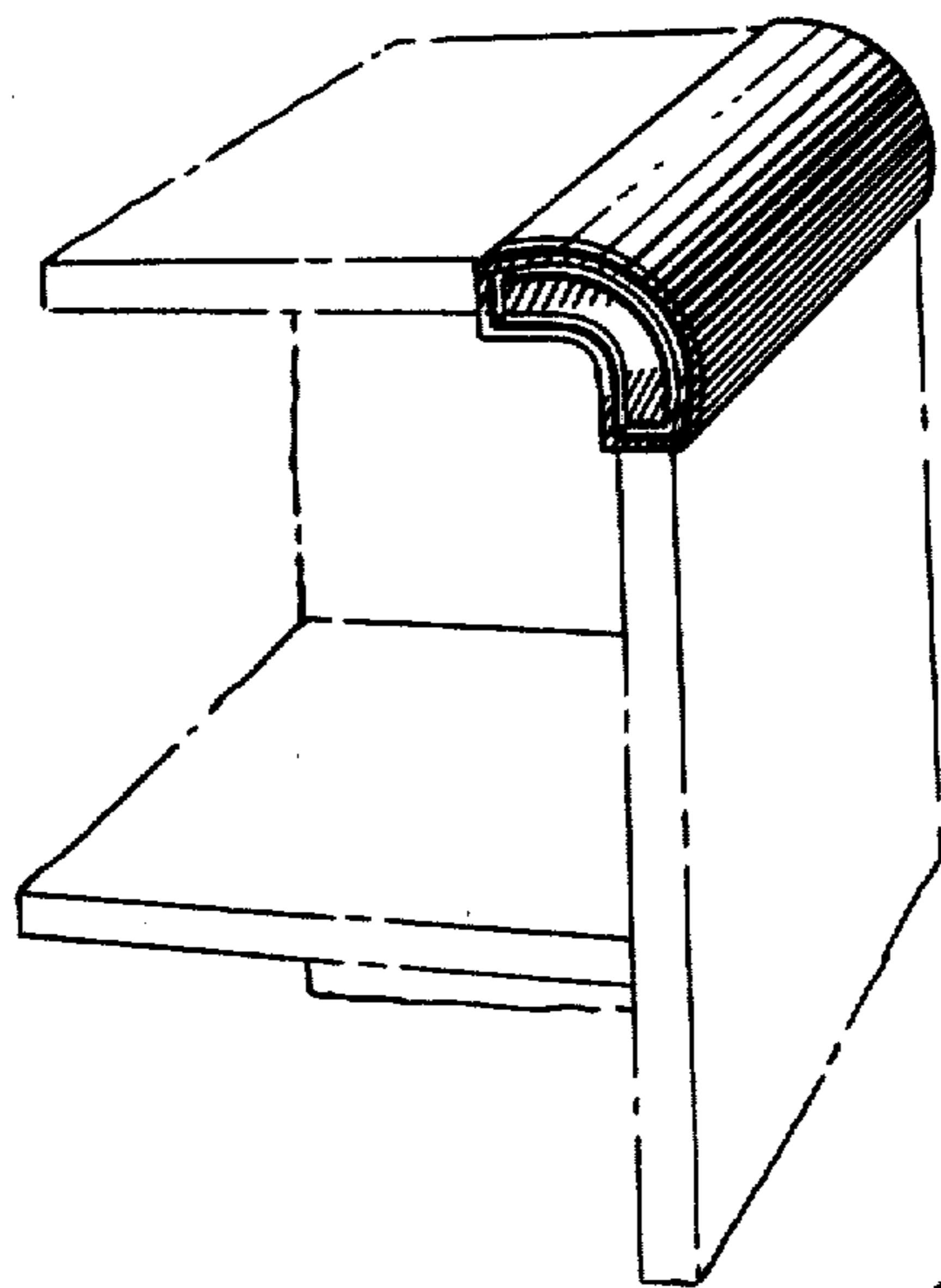
FIG. 1 is a perspective view of a corner connector for furniture panels showing our design, the broken line depiction of furniture panels being shown for illustrative purposes only;

FIG. 2 is an exploded view showing the connector on an enlarged scale and rotated counter clockwise to illustrate the features thereof in greater detail;

FIG. 3 is an elevational view showing the outer surface of the connector with the end cap omitted and portions omitted for convenience of illustration; and

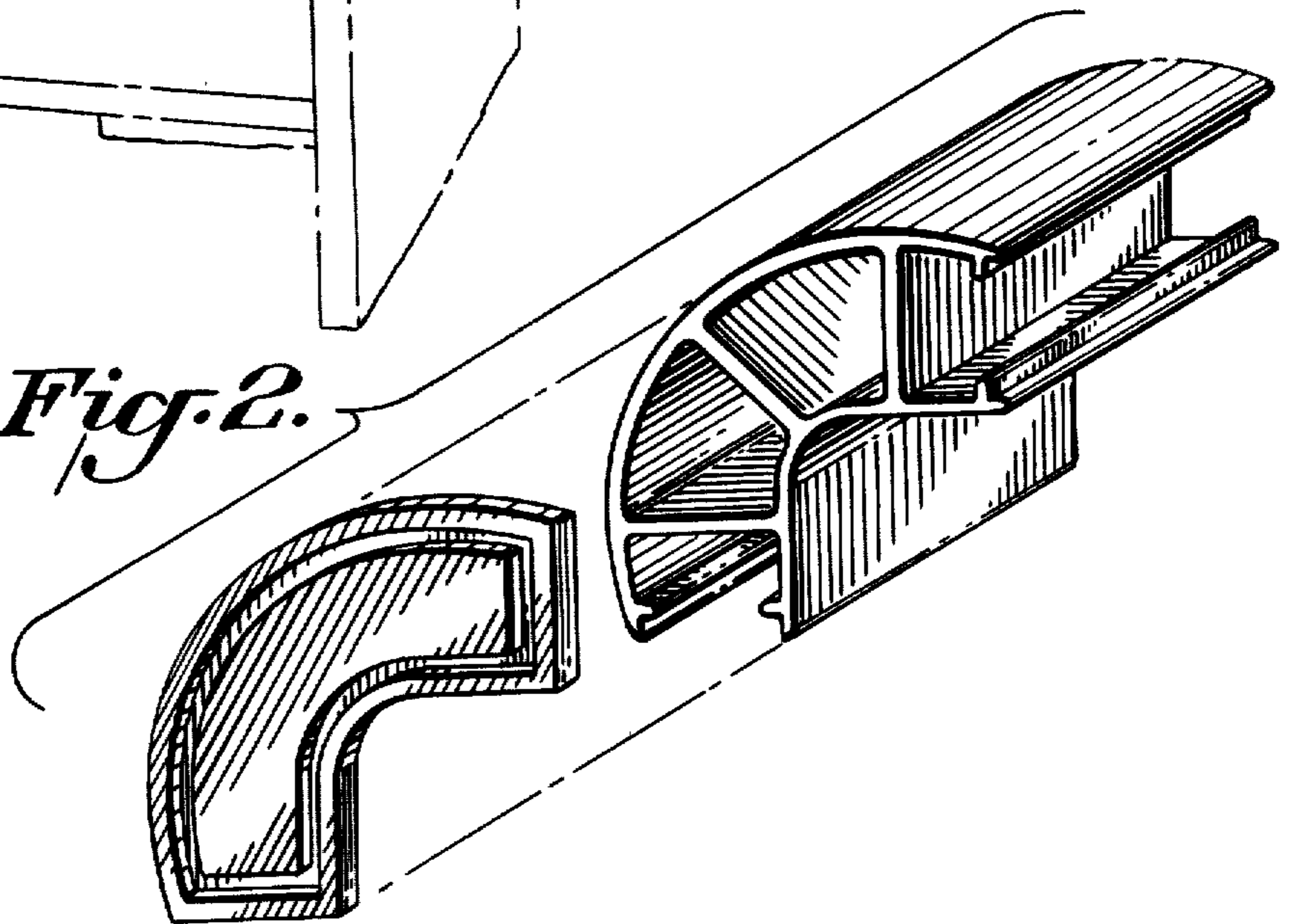
FIG. 4 is an elevational view similar to FIG. 3 but showing the inner surface of the connector.



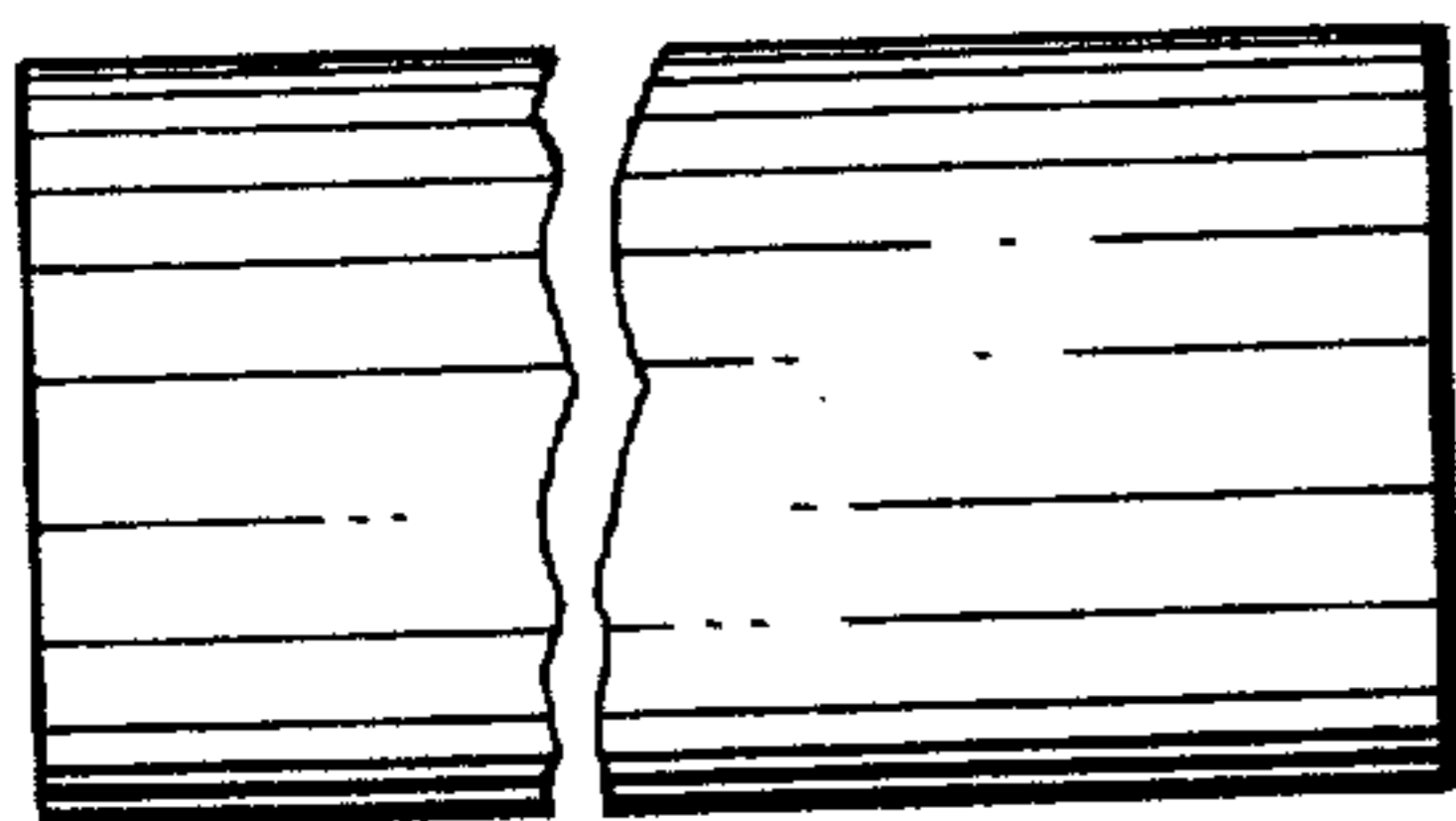


*Fig. 1.*

*Fig. 2.*



*Fig. 3.*



*Fig. 4.*

