

[54] CHAIR

[75] Inventor: Gae Aulenti, Milan, Italy

[73] Assignee: Knoll International, Inc., New York, N.Y.

[**] Term: 14 Years

[21] Appl. No.: 133,476

[22] Filed: Mar. 24, 1980
(Under 37 CFR 1.47)

Related U.S. Application Data

[62] Division of Ser. No. 827,609, Aug. 25, 1977.

[51] Int. Cl. D6-01

[52] U.S. Cl. D6/73

[58] Field of Search D6/47-78

[56] **References Cited**

U.S. PATENT DOCUMENTS

D. 106,384	10/1937	Vavrik	D6/69 X
D. 188,046	5/1960	Galloway	D6/73
D. 247,335	2/1978	Dranger et al.	D6/63
3,310,343	3/1967	Schultz	D6/73 X
3,591,233	7/1971	Turcksin	D6/73 X
4,046,417	9/1977	Beckley	D6/73 X

Primary Examiner—Bruce W. Dunkins
Attorney, Agent, or Firm—Robert Scobey

[57] **CLAIM**

The ornamental design for a chair, as shown.

DESCRIPTION

FIG. 1 is a perspective view of a chair embodying the invention.

FIG. 2 is a side view of the chair of FIG. 1.

FIG. 3 is a rear view of the chair of FIG. 1.

FIG. 4 is a sectional view, to an enlarged scale, taken along the section 4-4 in FIG. 3.

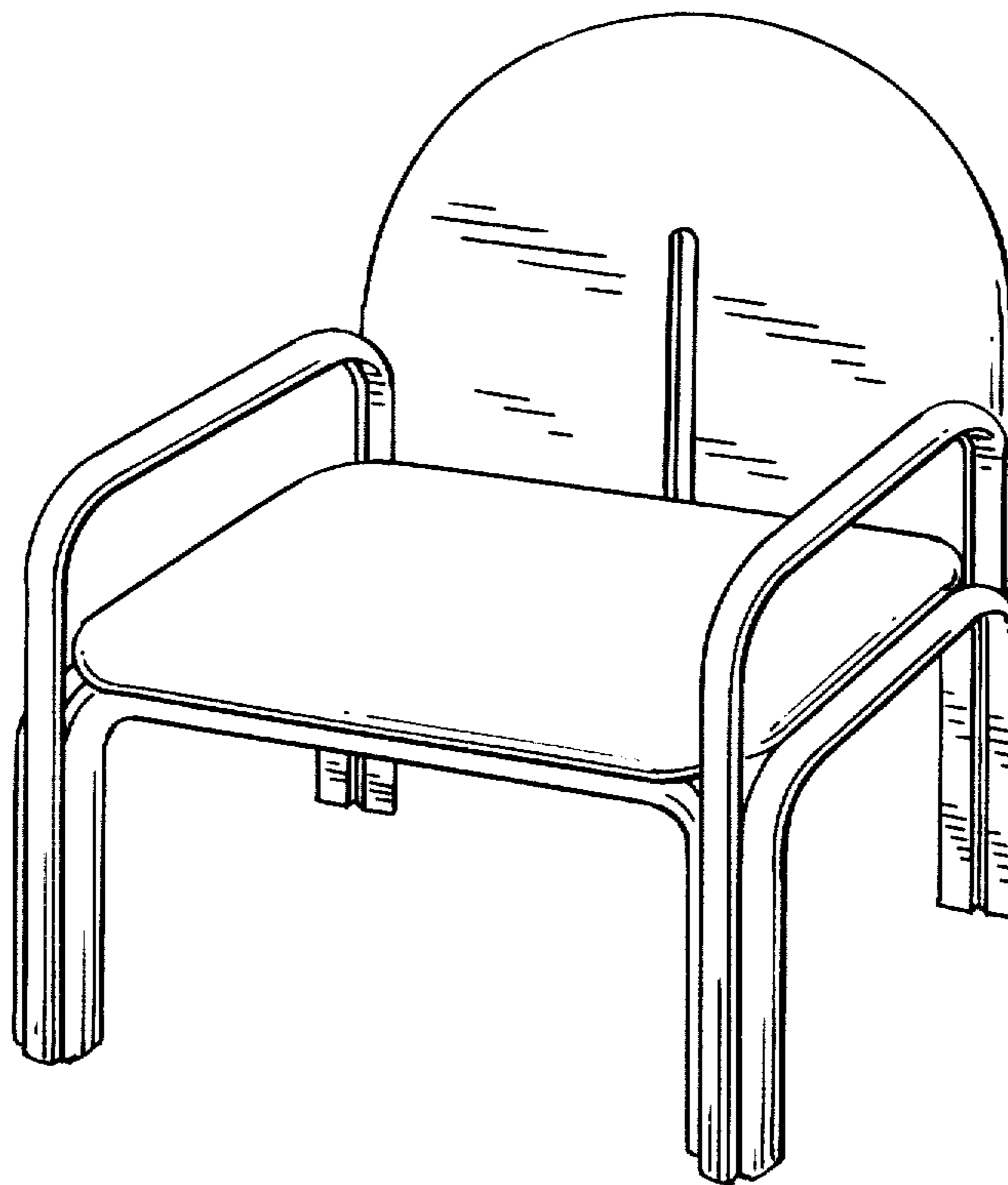


Fig. 1

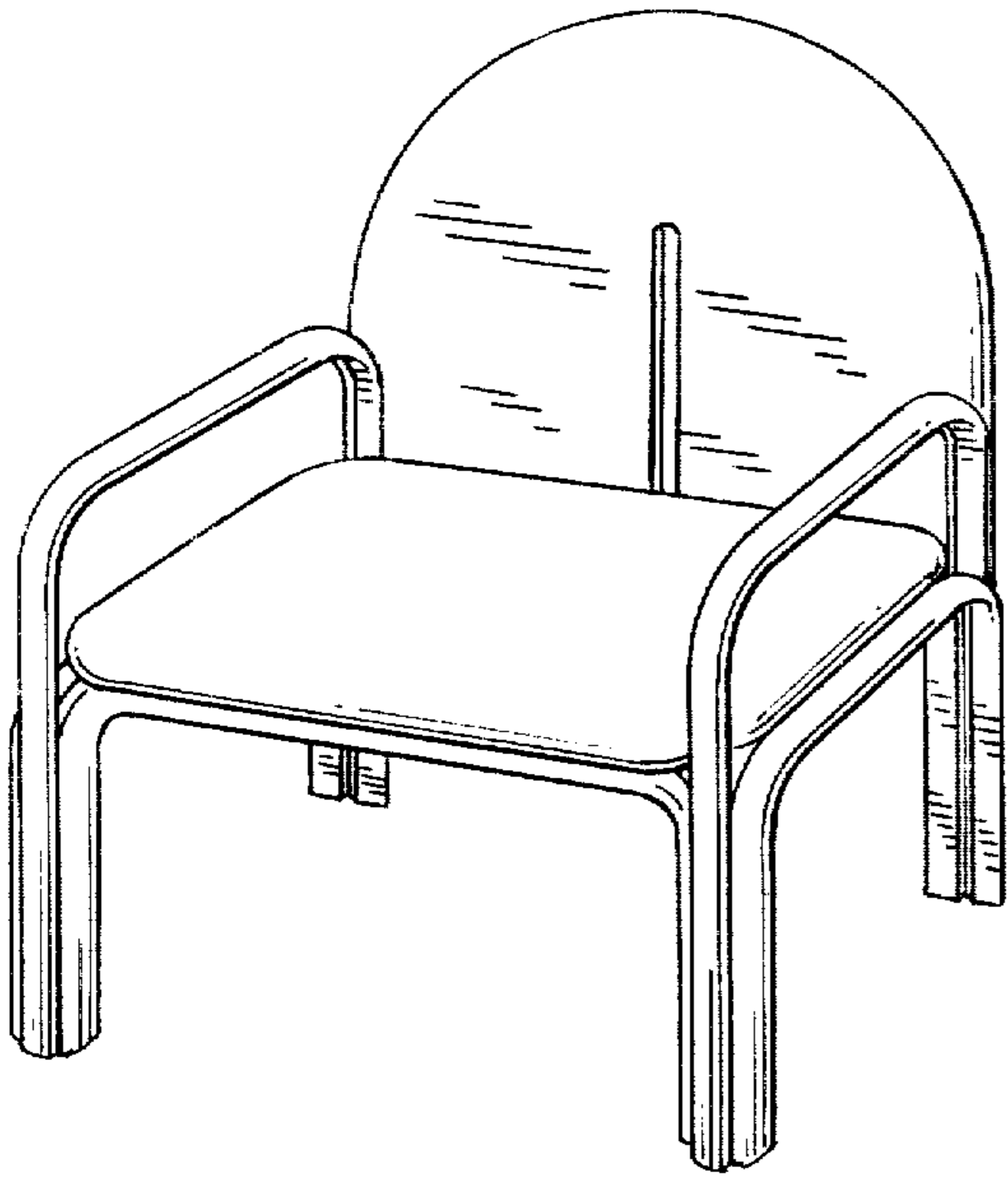


Fig. 2

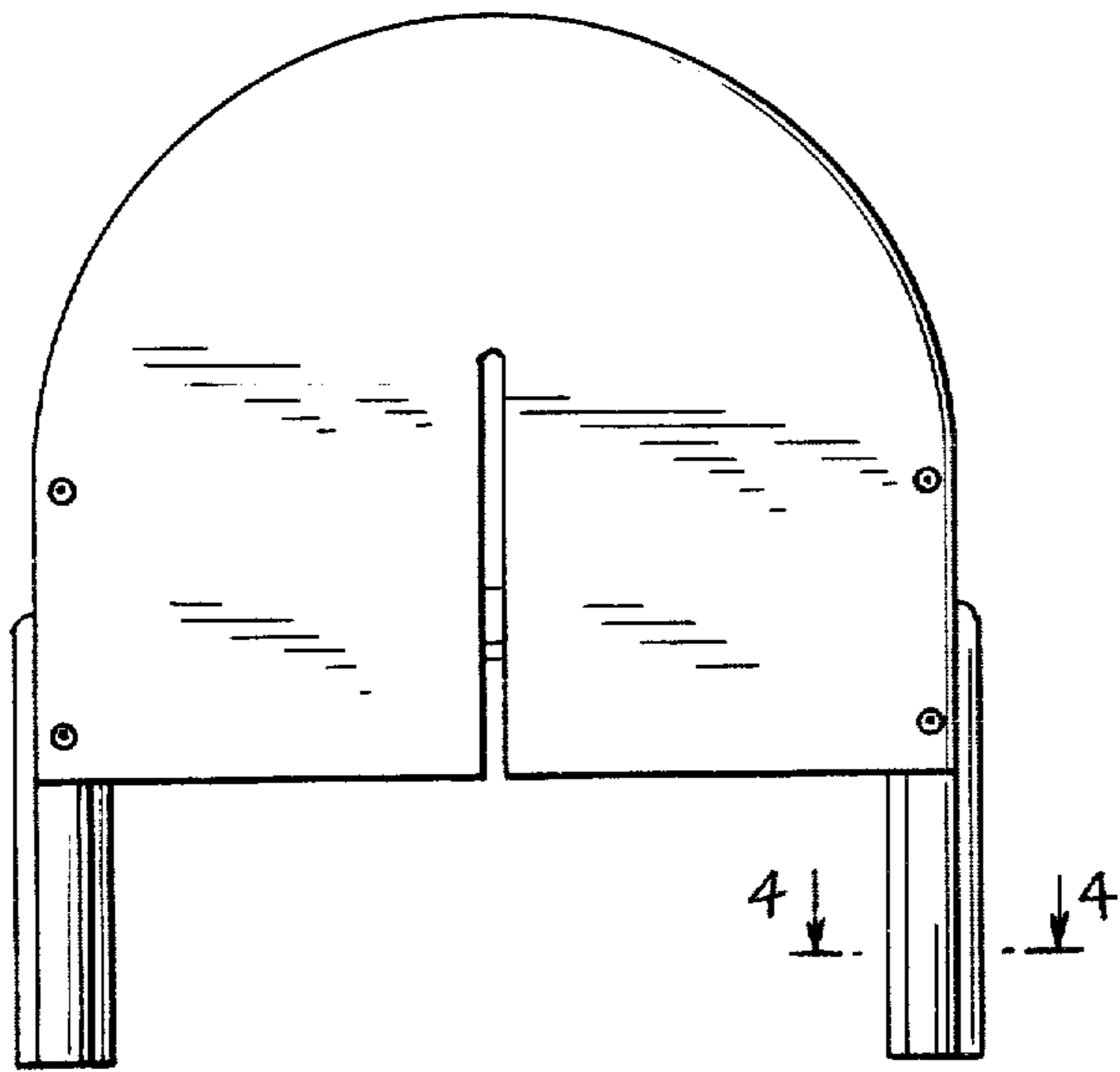
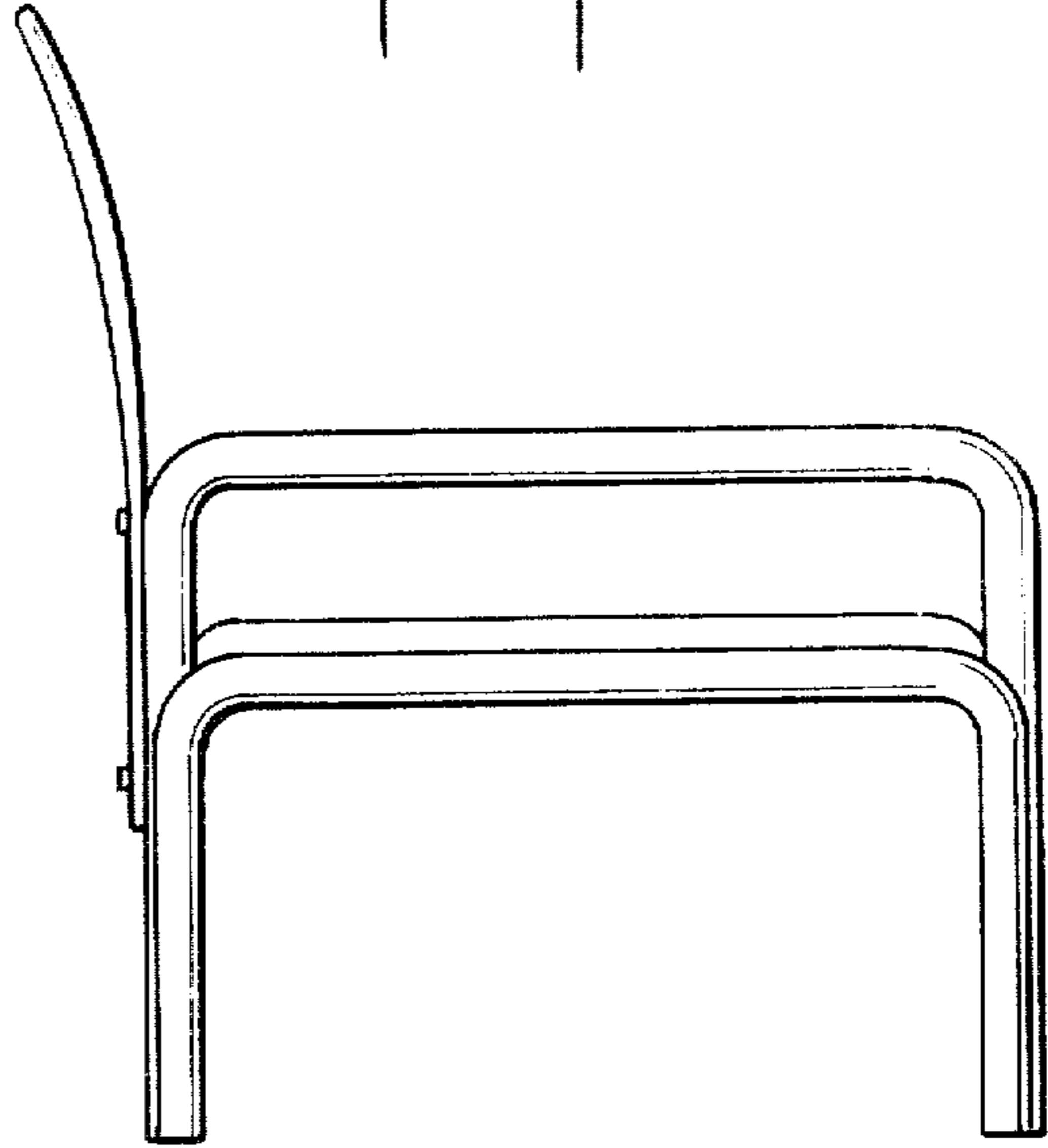


Fig. 3

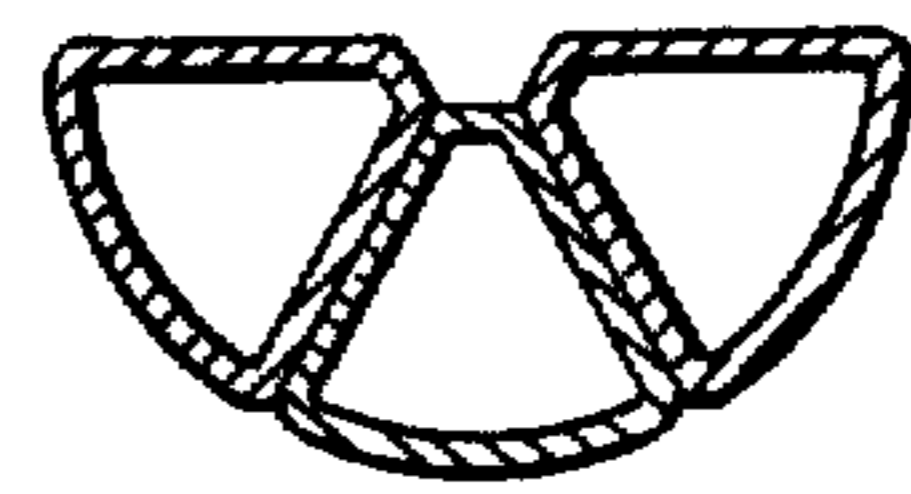


Fig. 4