

[54] ROCKING SEAT

[76] Inventor: Rosemary E. A. Martin, 7 Trentishoe Mansions, 90 Charing Cross Rd., London WC2H OJE, England

[\*\*] Term: 14 Years

[21] Appl. No.: 102,402

[22] Filed: Dec. 11, 1979

[30] Foreign Application Priority Data

Jun. 14, 1979 [GB] United Kingdom ..... 79990302

[51] Int. Cl. .... D6-01

[52] U.S. Cl. .... D6/10

[58] Field of Search ..... D6/5, 7-12, D6/49, 50, 51, 67-78, 37-39

[56] References Cited

U.S. PATENT DOCUMENTS

D. 211,720 7/1968 Lue ..... D6/10

D. 239,997 5/1976 Burin et al. .... D6/245 X  
1,349,072 8/1920 Lines ..... D6/201 X  
4,025,107 5/1977 Chipka ..... 108/116 X

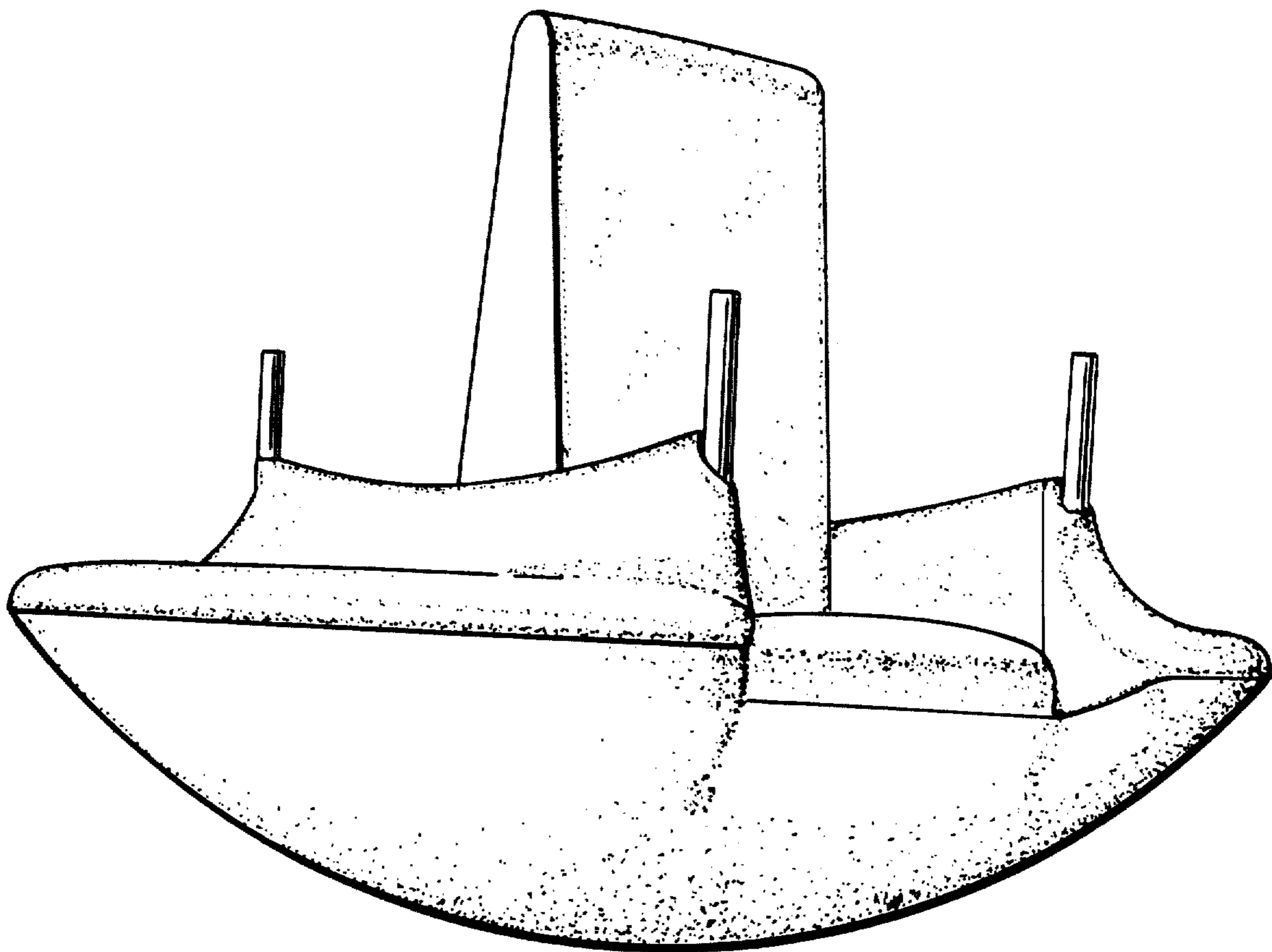
Primary Examiner—Bruce W. Dunkins  
Attorney, Agent, or Firm—Kerkam, Stowell, Kondracki & Clarke

[57] CLAIM

The ornamental design for a rocking seat, as shown and described.

DESCRIPTION

FIG. 1 is a front elevational view of a rocking seat showing my new design;  
FIG. 2 is a perspective view from the front and slightly to one side, the perspective view from the opposite side being of the same appearance;  
FIG. 3 is a side elevational view thereof, the opposite side being the same in appearance as the side shown;  
FIG. 4 is a bottom or inverted plan view thereof; and  
FIG. 5 is a top plan view thereof.



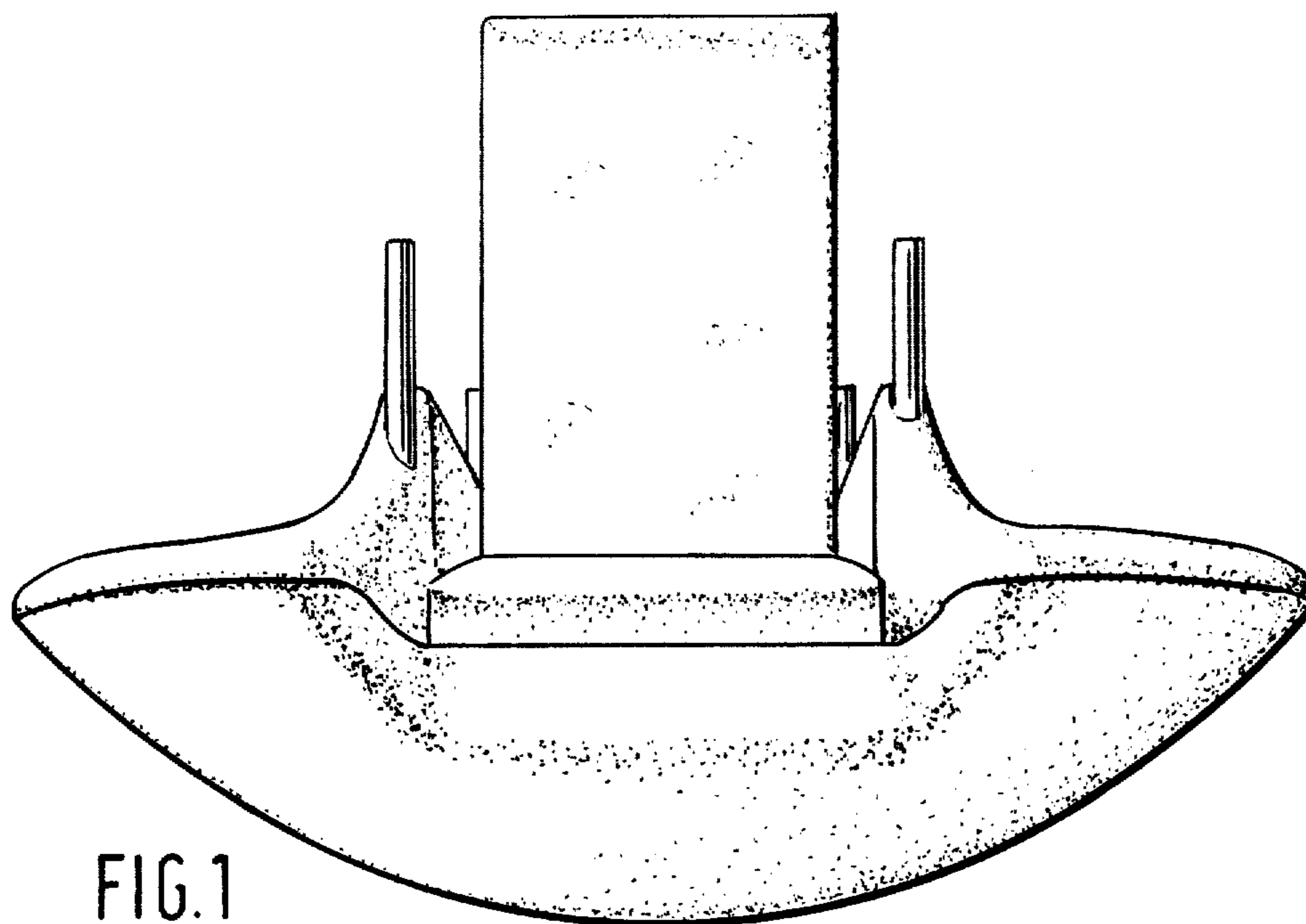


FIG. 1

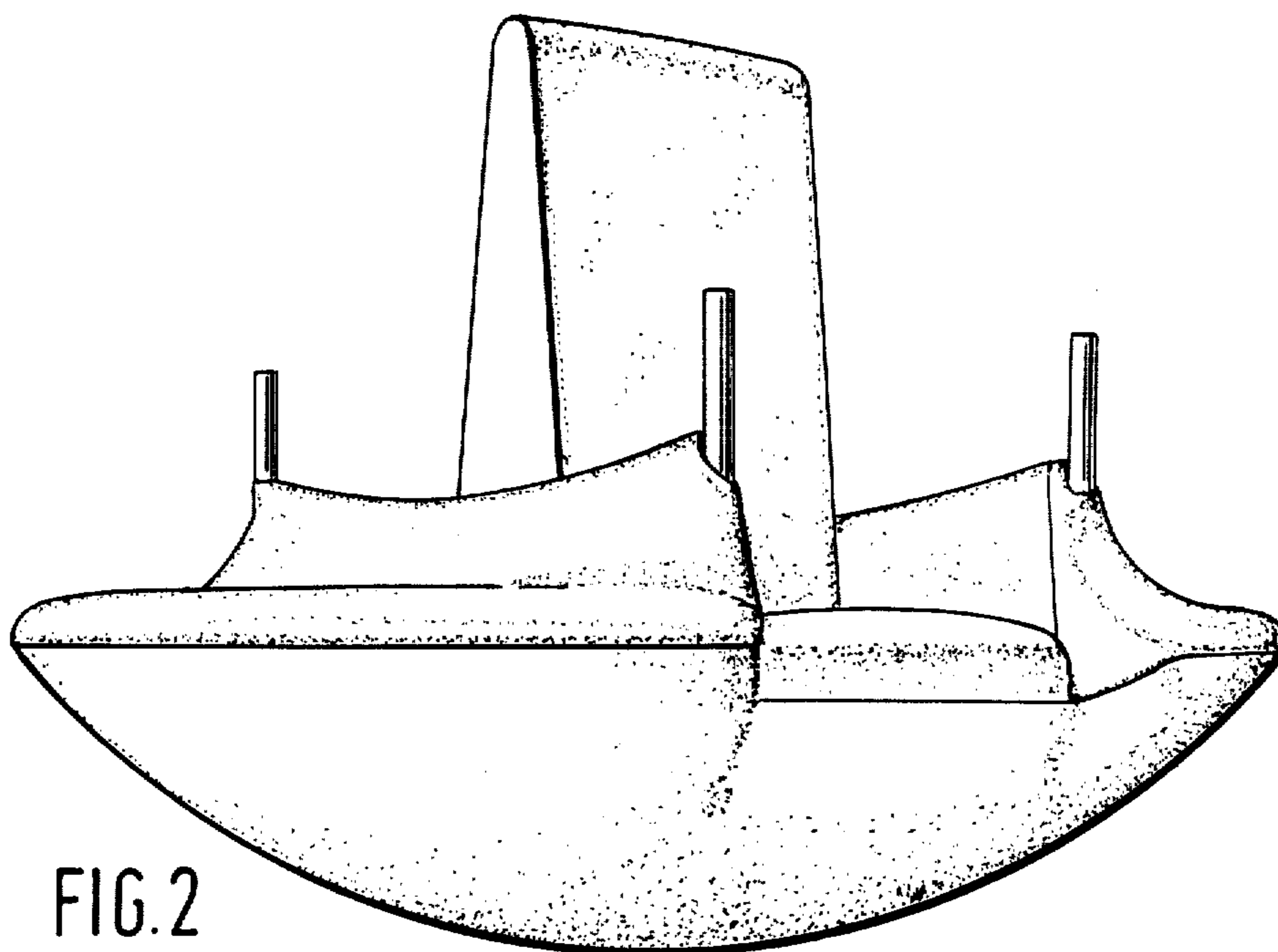


FIG. 2

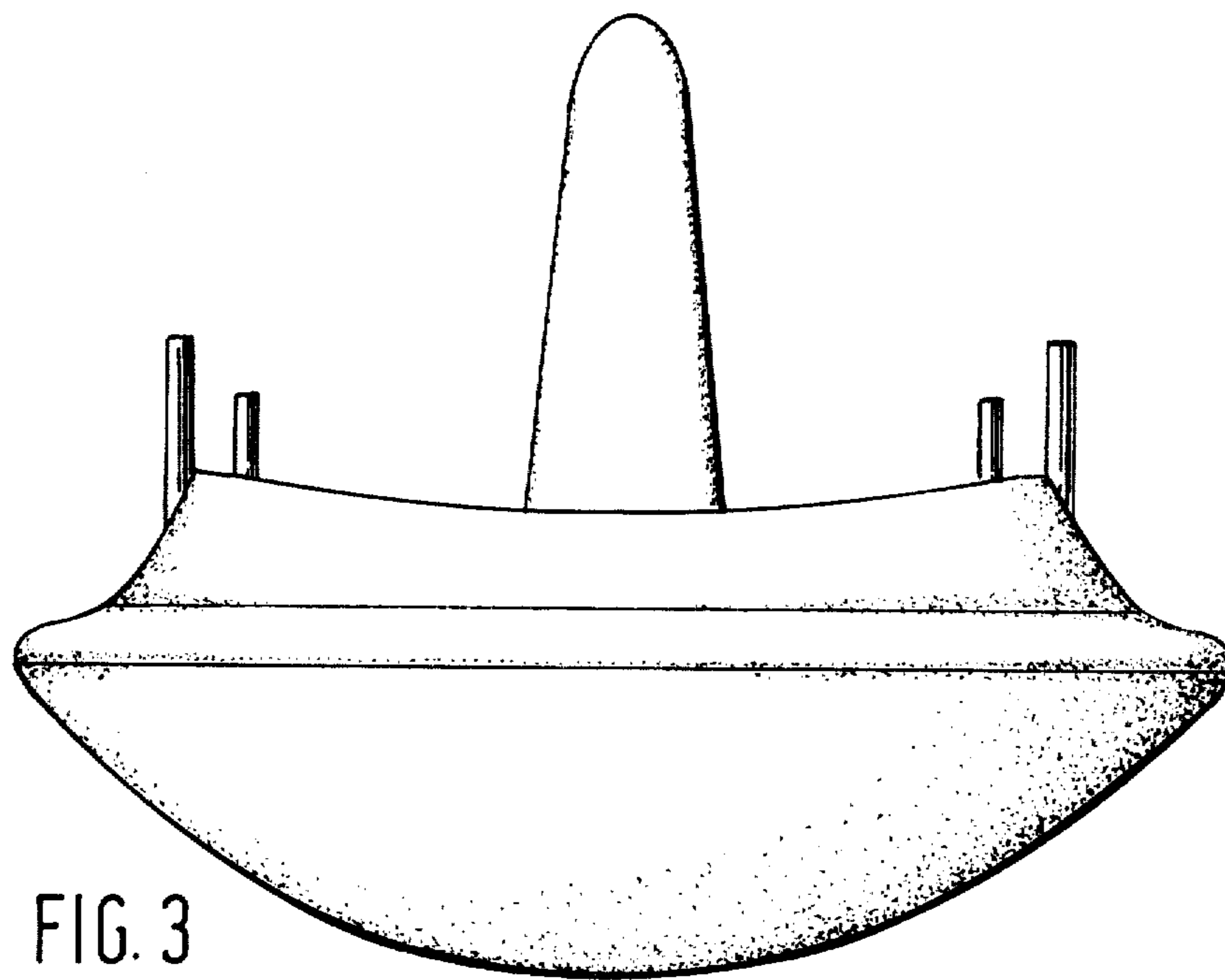


FIG. 3

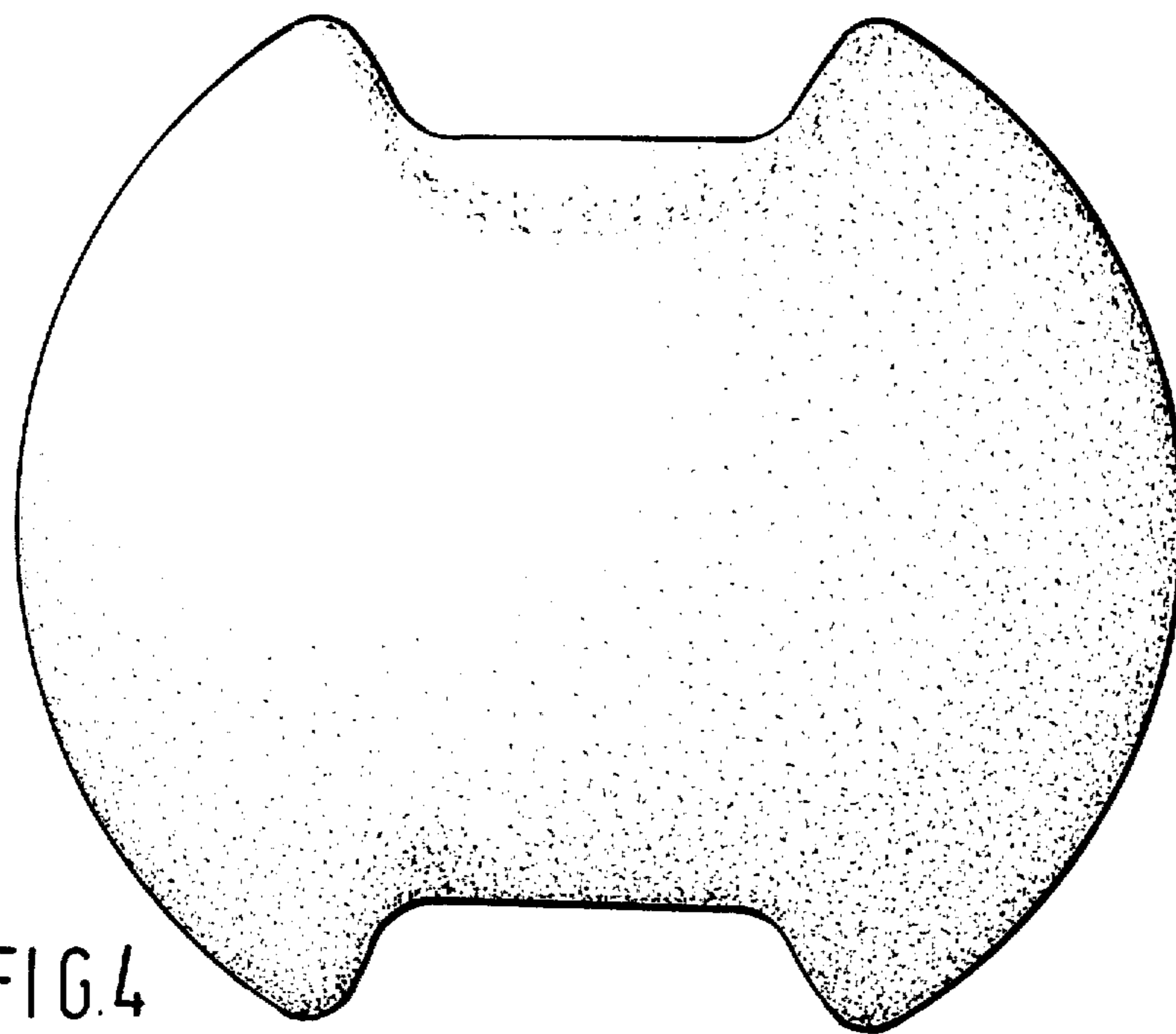


FIG. 4

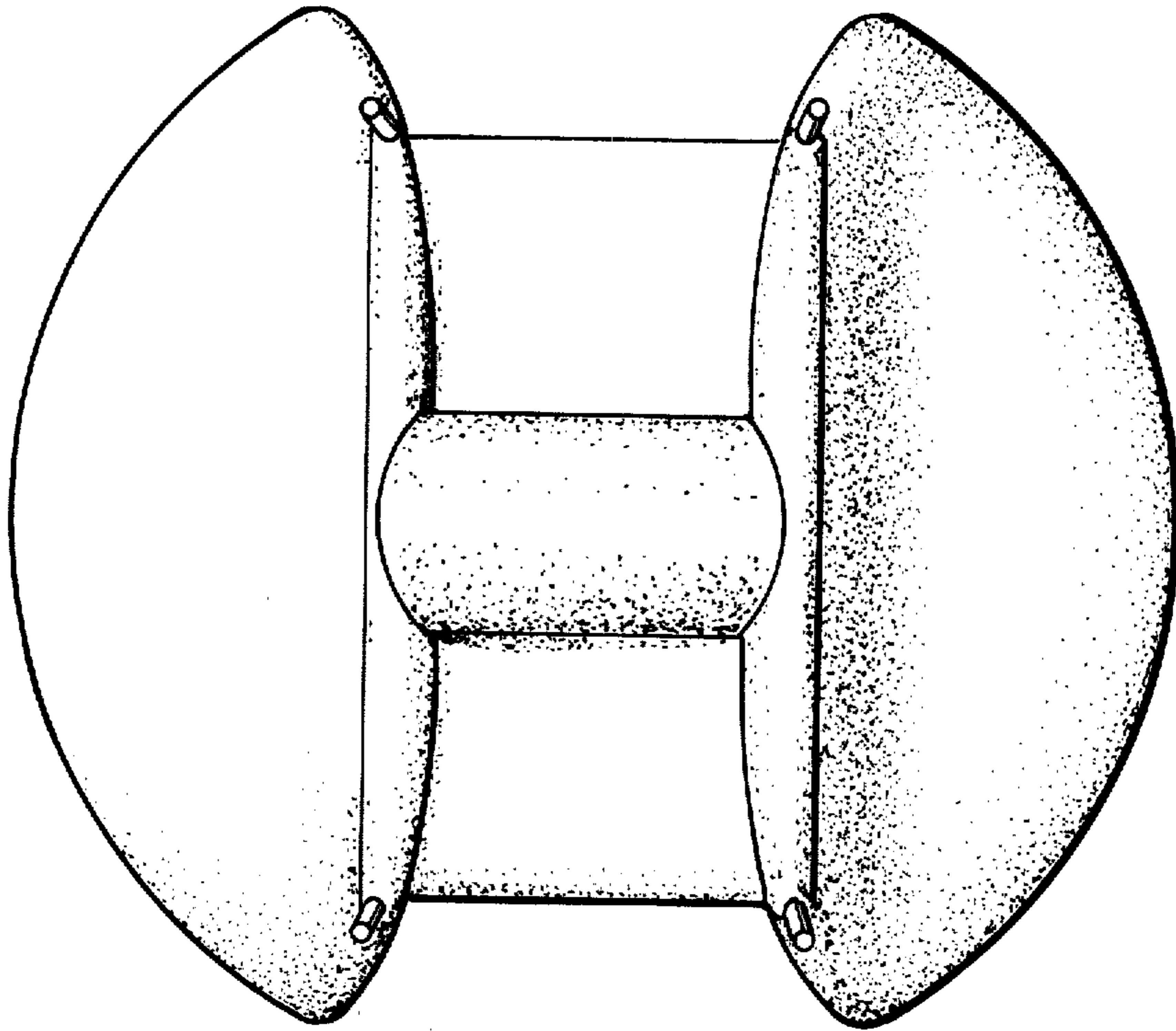


FIG. 5