

[54] TOOL CADDY

[76] Inventors: Monte C. Allison, 1109 Grace Ave., Burlington, N.C. 27215; Kenneth M. Graves, 295 Cheek La., Graham, N.C. 27253

[\*\*] Term: 14 Years

[21] Appl. No.: 115,789

[22] Filed: Jan. 28, 1980

[51] Int. Cl. .... D3-01

[52] U.S. Cl. .... D34/44; D34/45; D34/46

[58] Field of Search ..... D3/30, 30.5, 39, 73, D3/74; 206/373, 372; 211/69, 69.1; D99/44, 47-50; 312/DIG. 33; D24/31, 32; D34/40-46

[56] References Cited PUBLICATIONS

TMC Inc., Adv. ©1978.

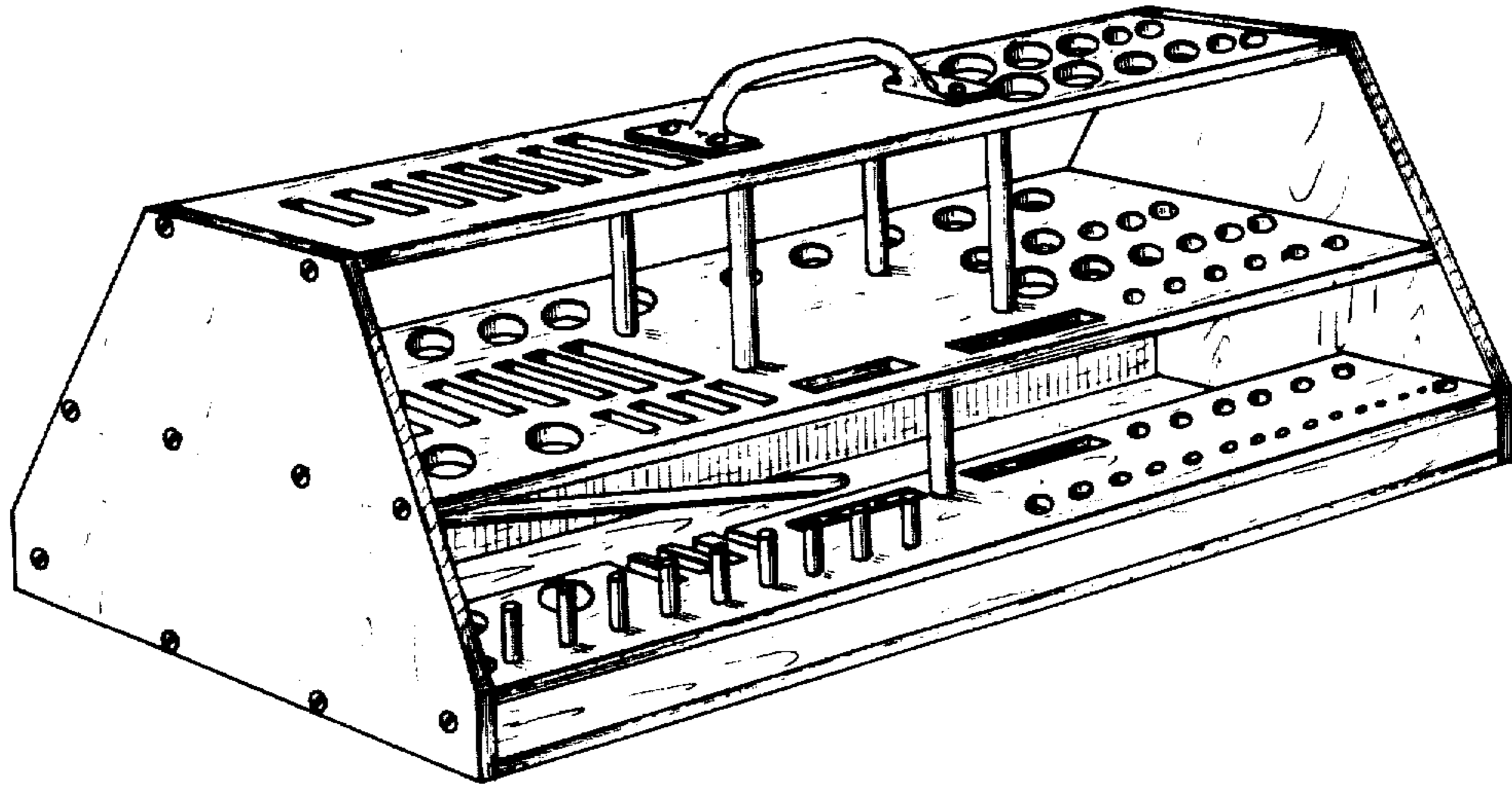
Primary Examiner—George P. Word

[57] CLAIM

The ornamental design for a tool caddy, as shown and described.

DESCRIPTION

FIG. 1 is a perspective view of a tool caddy showing our new design; FIG. 2 is a front elevational view; FIG. 3 is a top plan view; FIG. 4 is a cross-sectional view taken along line 4-4 of FIG. 2; FIG. 5 is a cross-sectional view taken along line 5-5 of FIG. 2; FIG. 6 is a cross-sectional view taken along line 6-6 of FIG. 2; FIG. 7 is a fragmentary cross-sectional view taken along line 7-7 of FIG. 5; and FIG. 8 is a right end elevational view of FIG. 2.



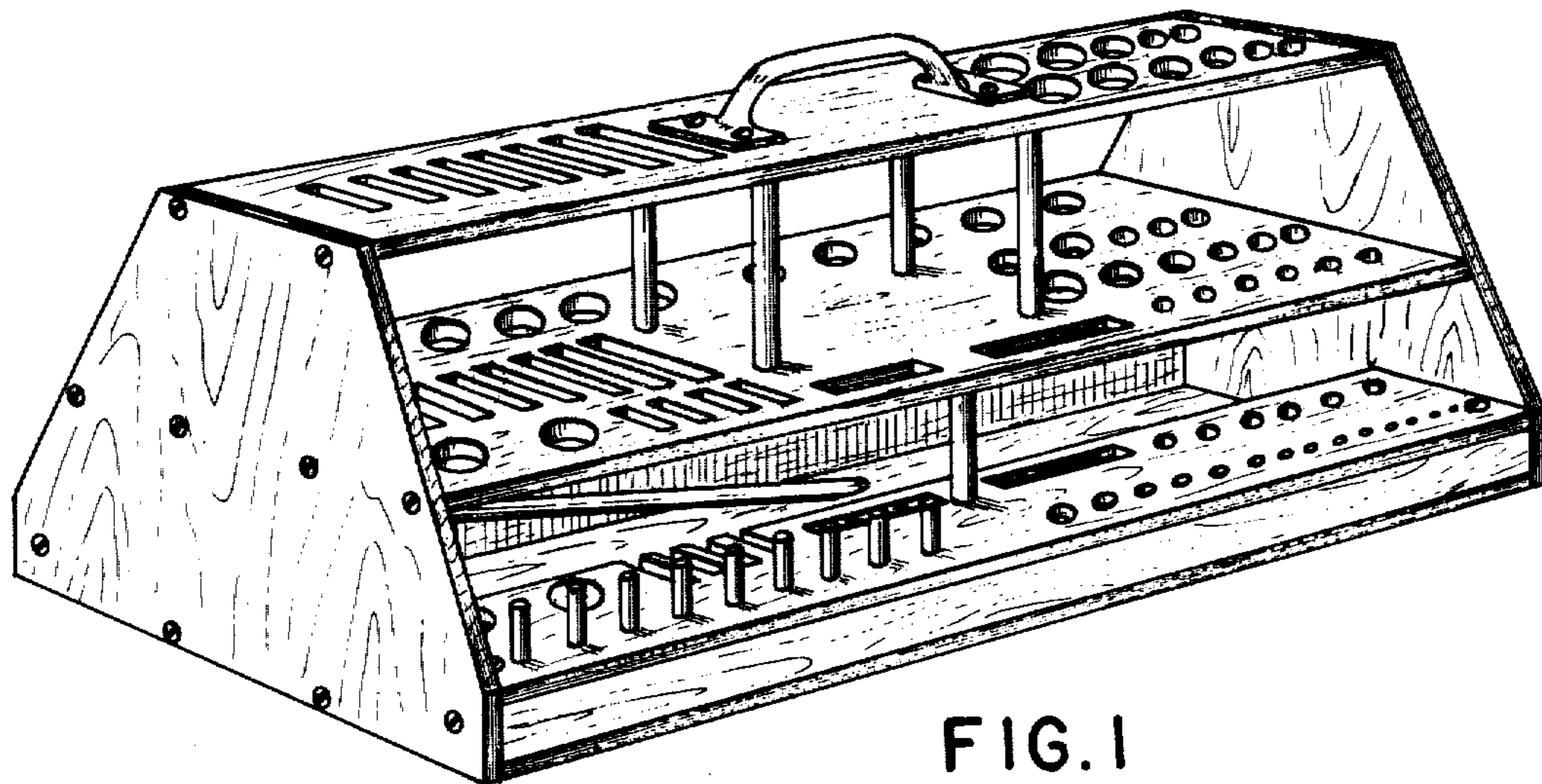


FIG. 1

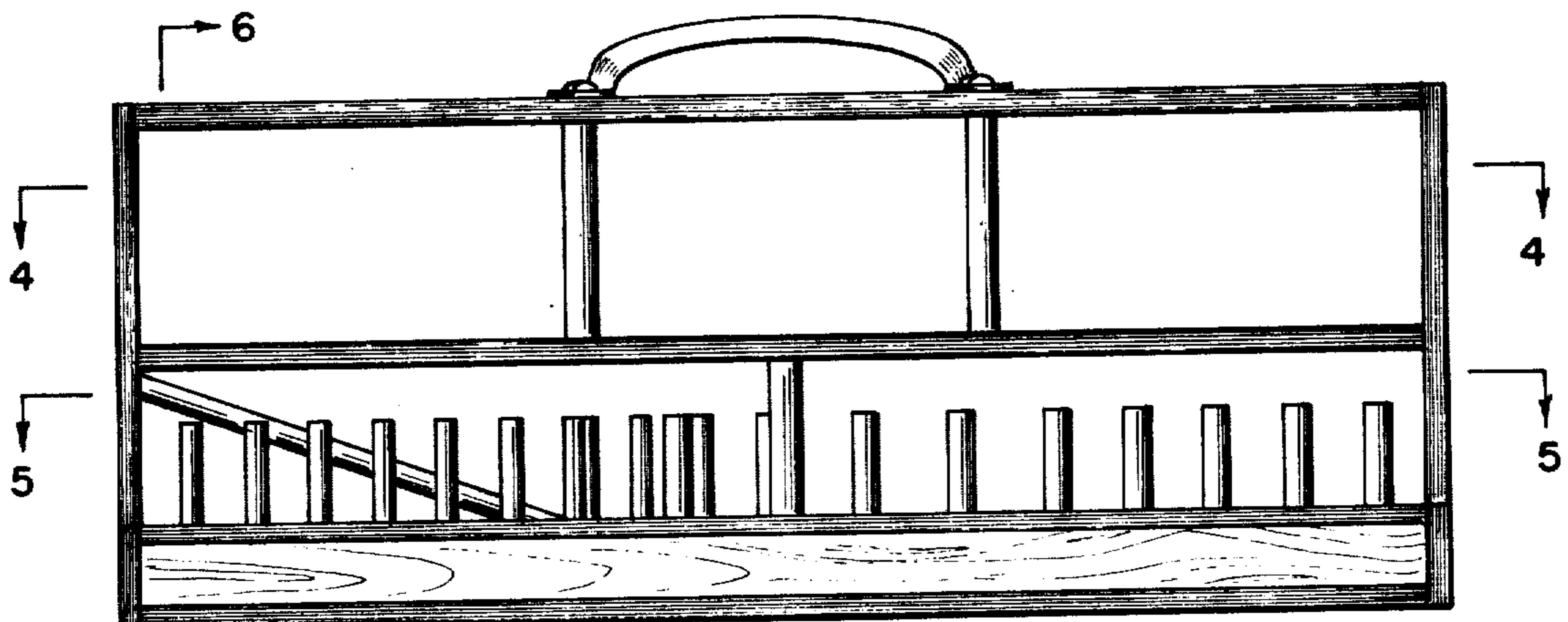


FIG. 2

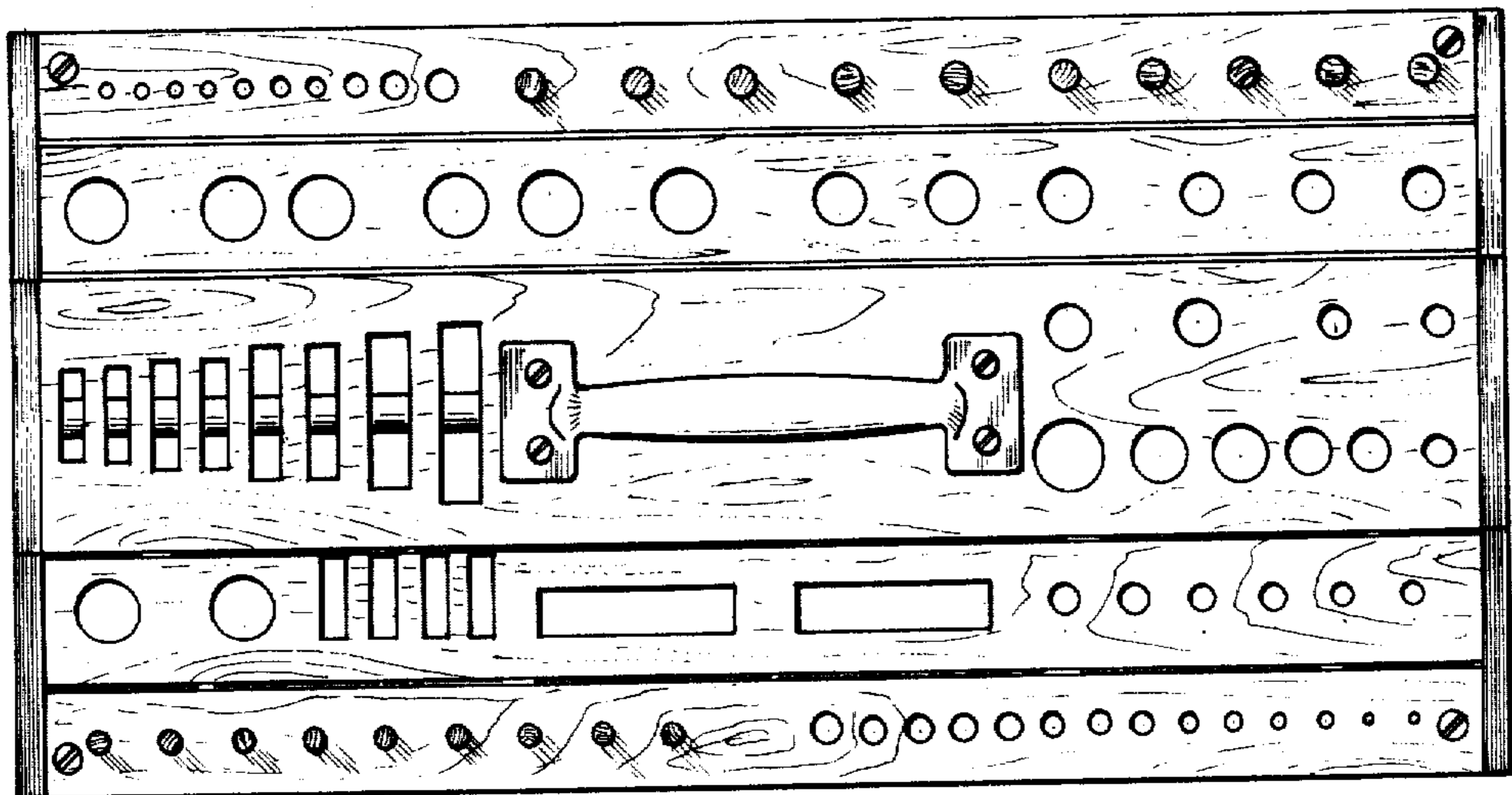


FIG. 3

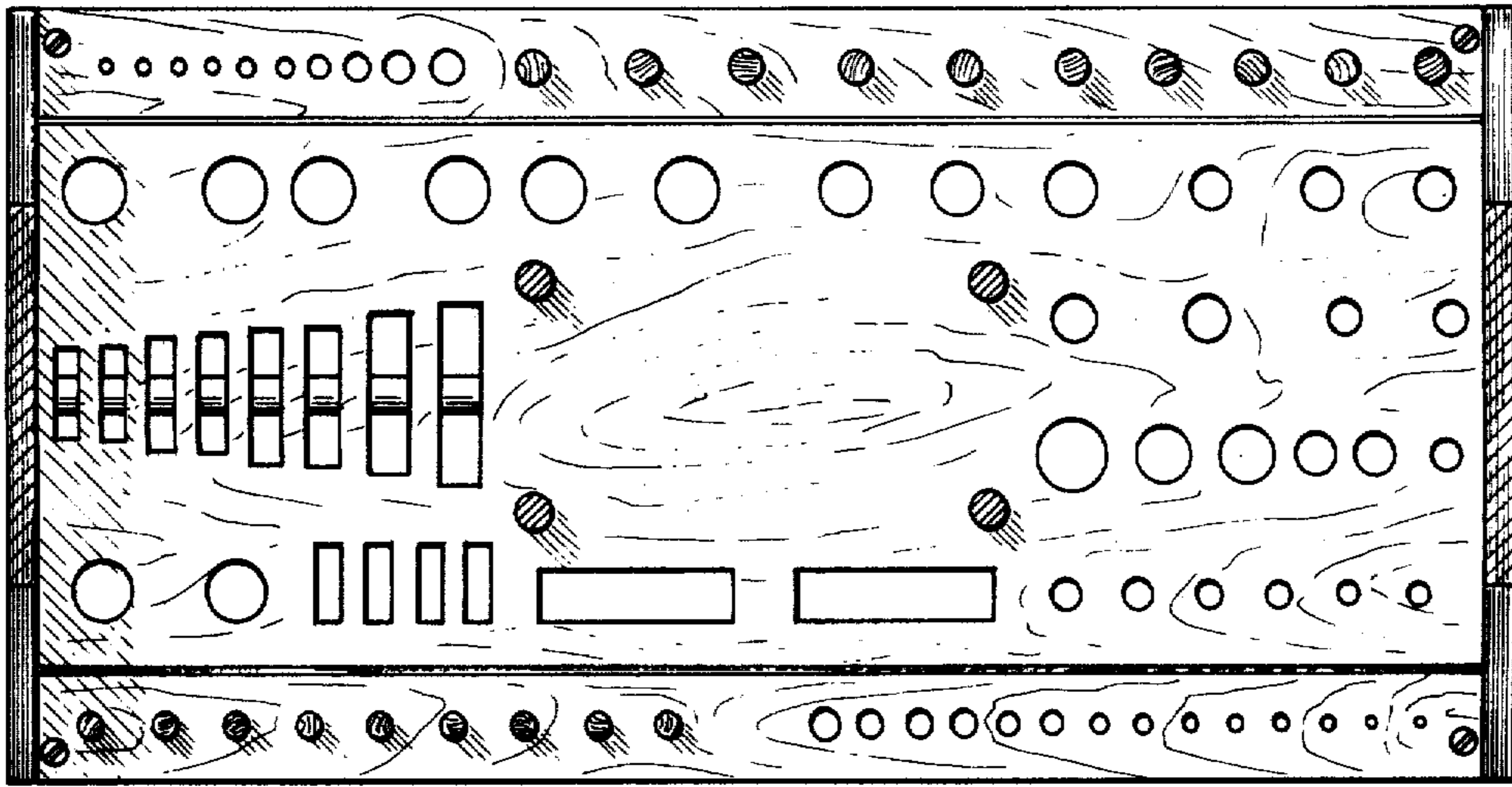


FIG. 4

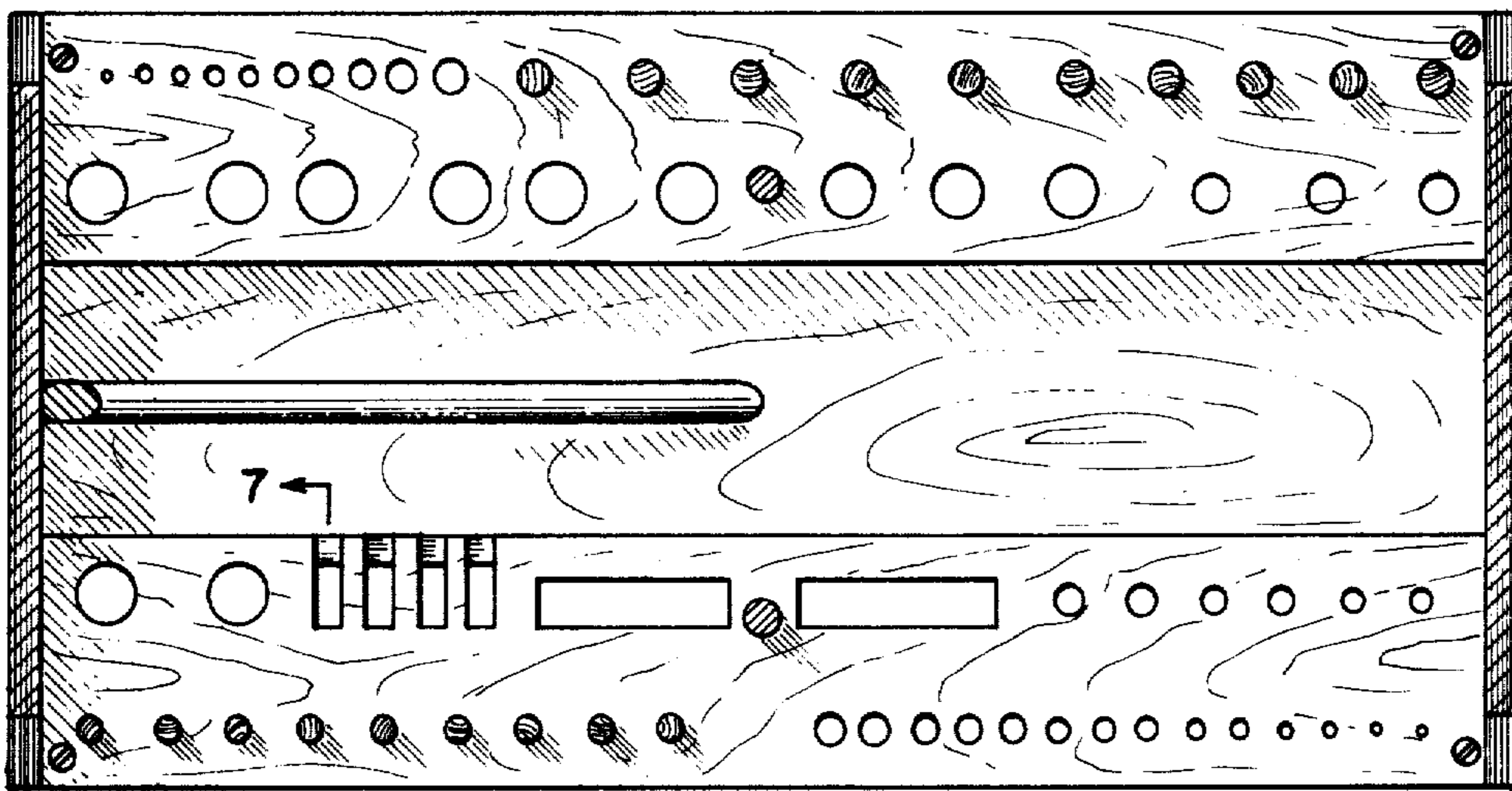


FIG. 5

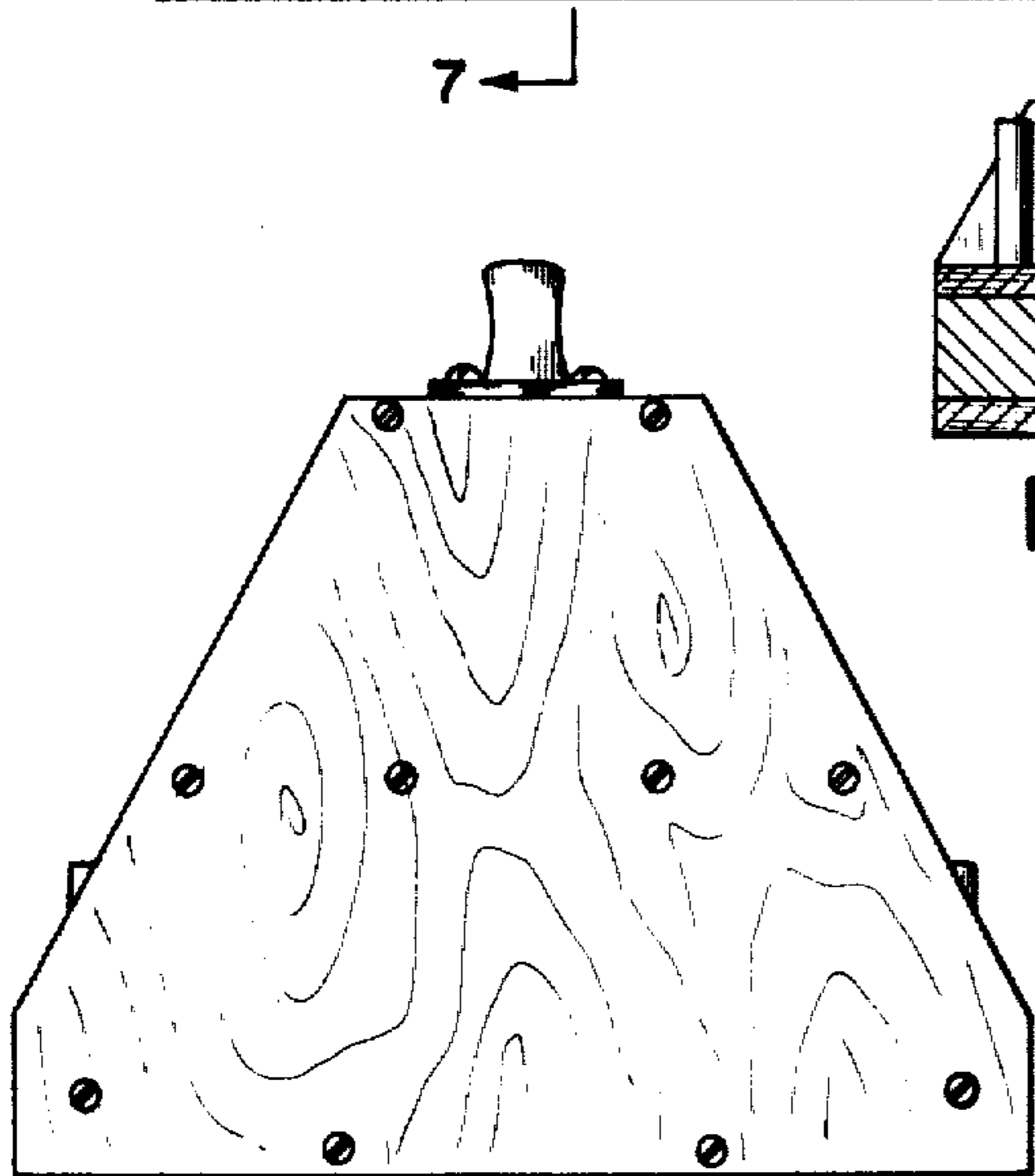


FIG. 8

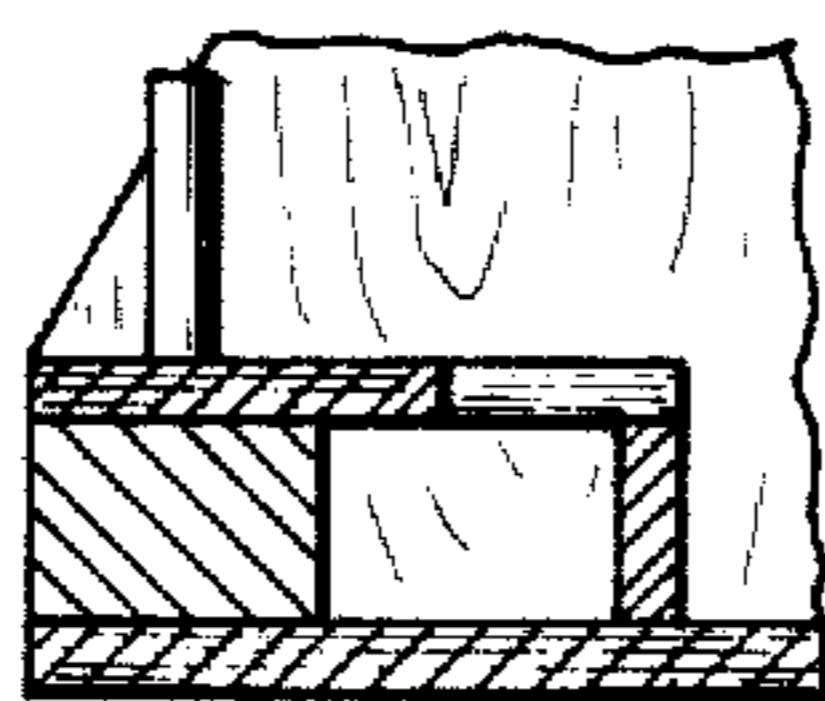


FIG. 7

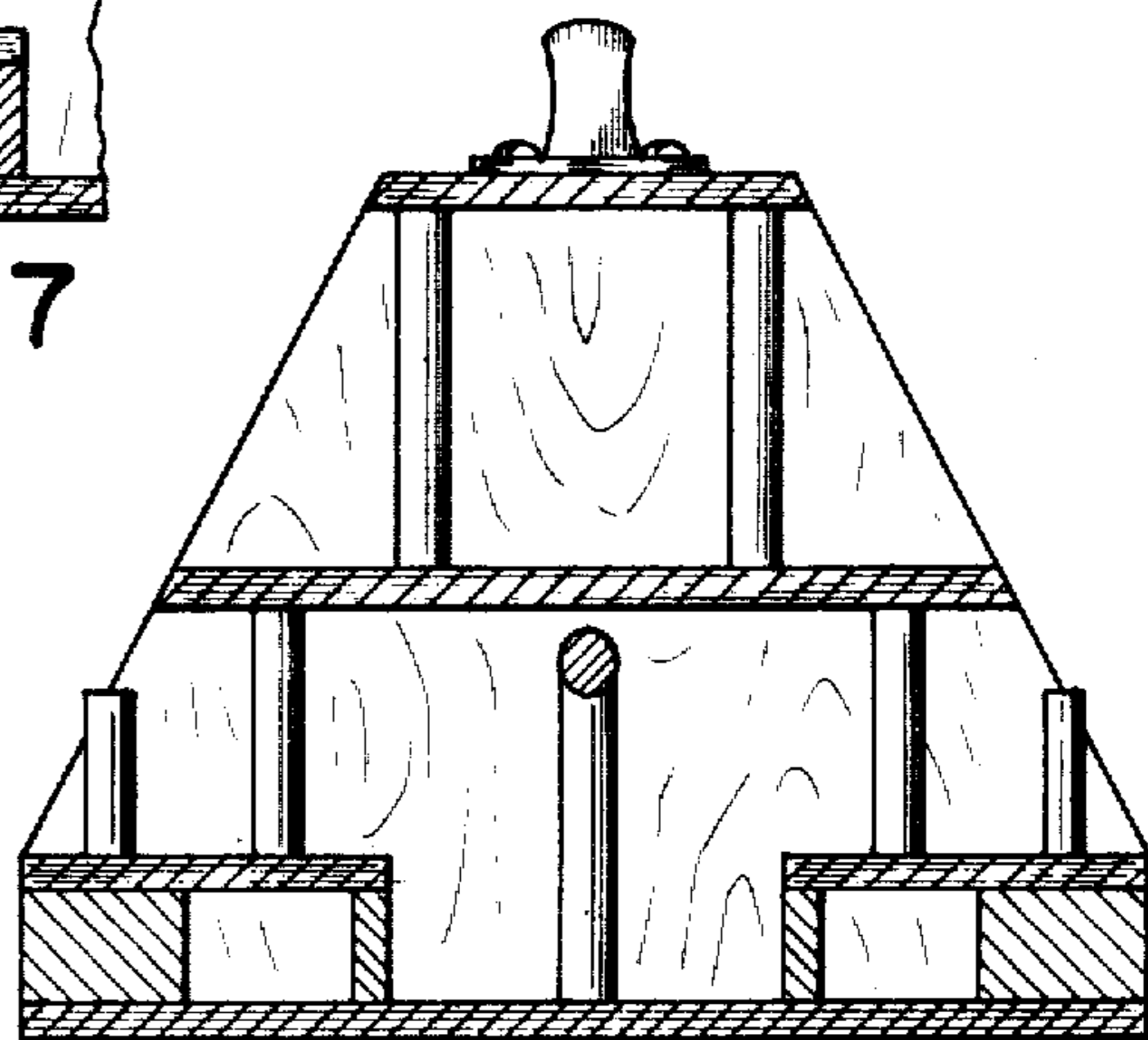


FIG. 6