

[54] WINDOW BIRD FEEDER

[76] Inventor: Peter Kilham, P.O. Box 98, Mill Rd., Foster, R.I. 02825

[**] Term: 14 Years

[21] Appl. No.: 156,311

[22] Filed: Jun. 2, 1980

[51] Int. Cl. D30-03

[52] U.S. Cl. D30/14; 119/51 R

[58] Field of Search D30/13-18; 119/51 R

[56] References Cited

U.S. PATENT DOCUMENTS

D. 165,628	1/1952	Blazier	D30/15
D. 181,625	12/1957	Briggs et al.	D30/14
D. 217,470	5/1970	Morrow	D30/15
D. 241,149	8/1976	Miller et al.	D30/13
D. 244,098	4/1977	Kilham	D30/14
D. 245,349	8/1977	Fisher, Jr.	D30/15

D. 252,162	6/1979	Barry	D30/14
2,856,898	10/1958	Doubledag et al.	119/51 R
4,030,451	6/1977	Miller	119/51 R
4,102,308	7/1978	Kilham	119/51 R

OTHER PUBLICATIONS

Duncraft Wild Bird Specialists, Cat., p. 4, item at bottom of page.

Primary Examiner—James R. Largen
Attorney, Agent, or Firm—Salter & Michaelson

[57] CLAIM

The ornamental design for a window bird feeder, substantially as shown.

DESCRIPTION

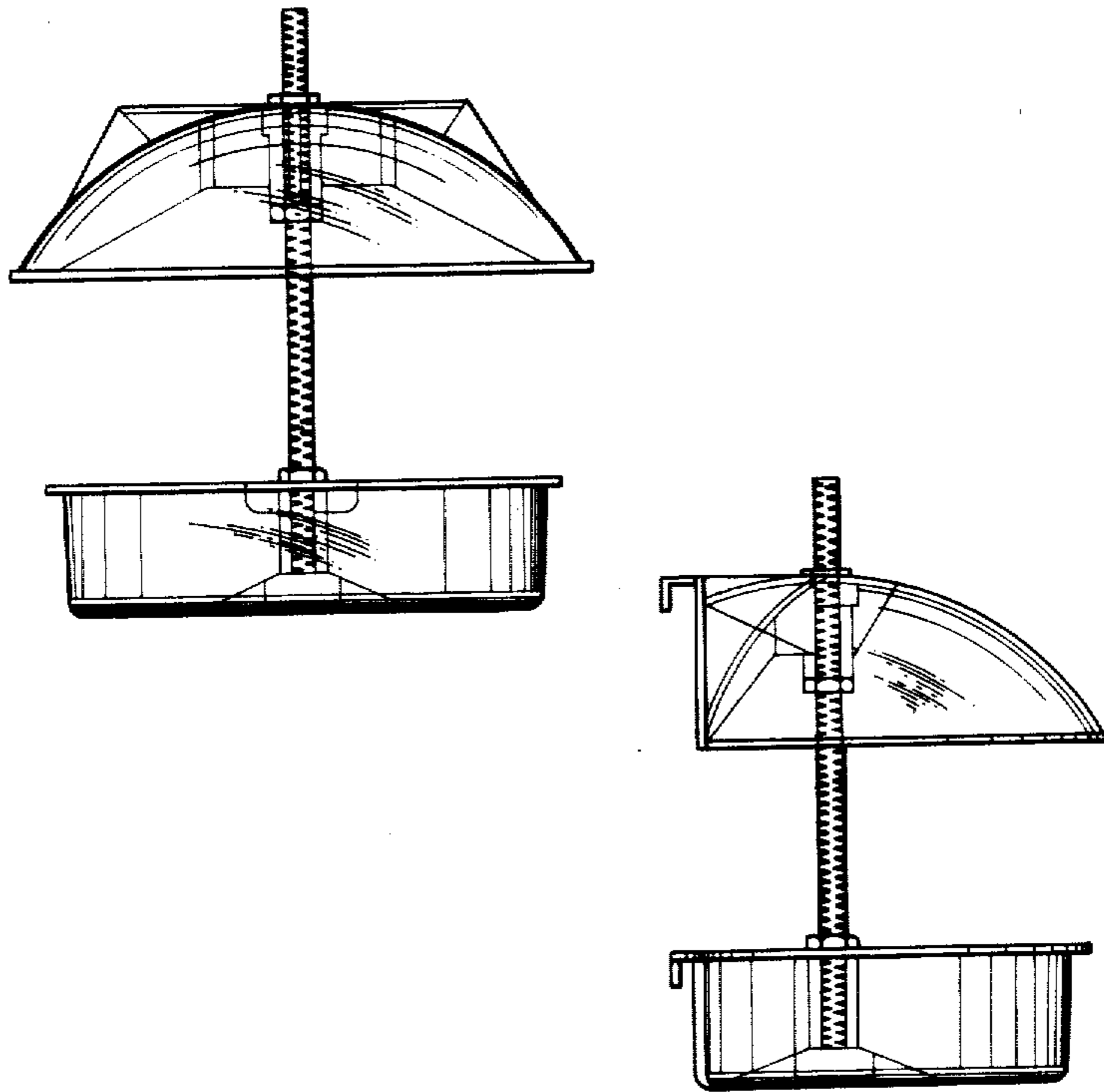
FIG. 1 is a front elevational view of a window bird feeder showing my new design;

FIG. 2 is a side elevational view thereof;

FIG. 3 is a top plan view thereof;

FIG. 4 is a rear elevational view thereof; and

FIG. 5 is a bottom plan view thereof.



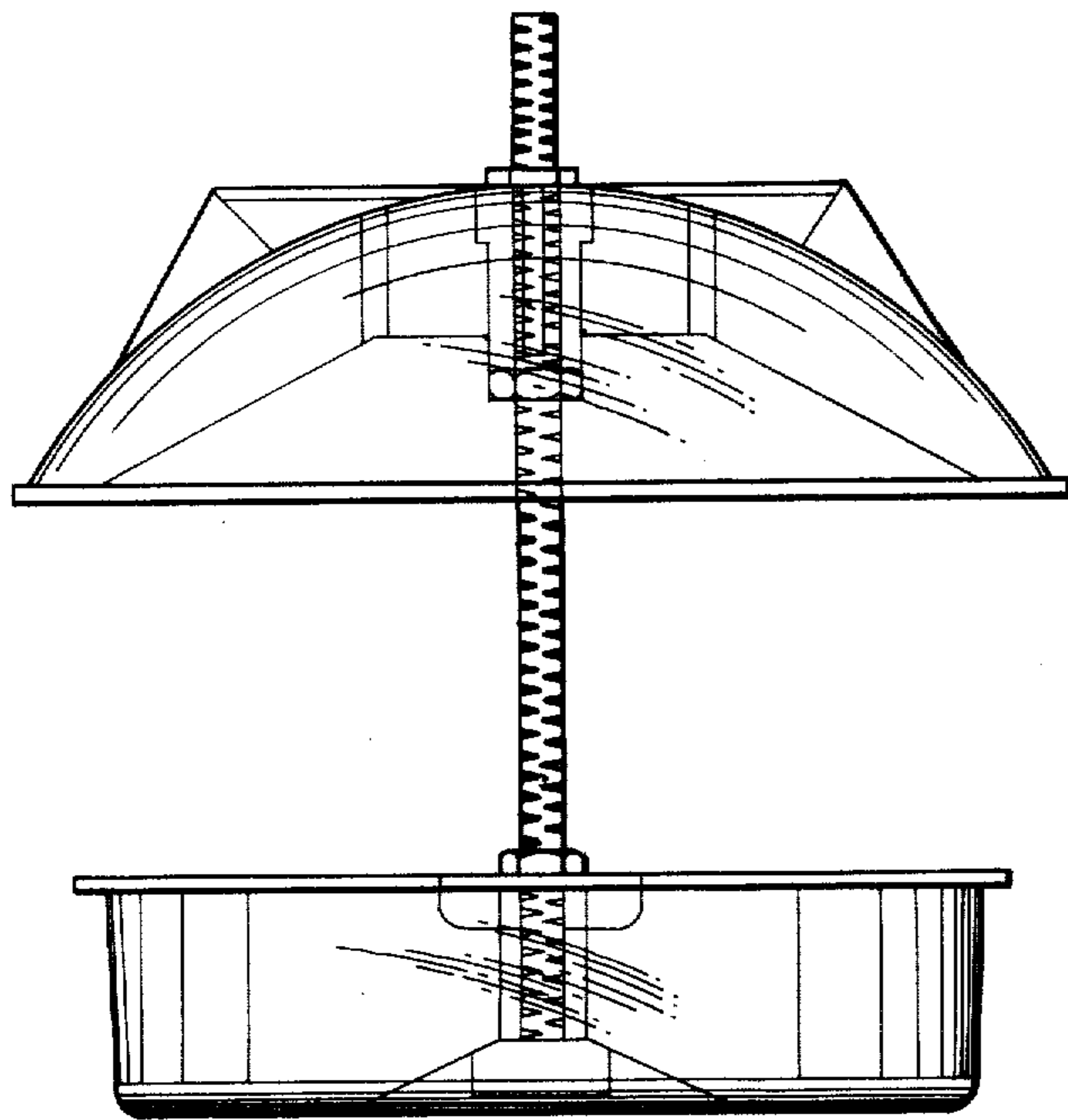


FIG. 1

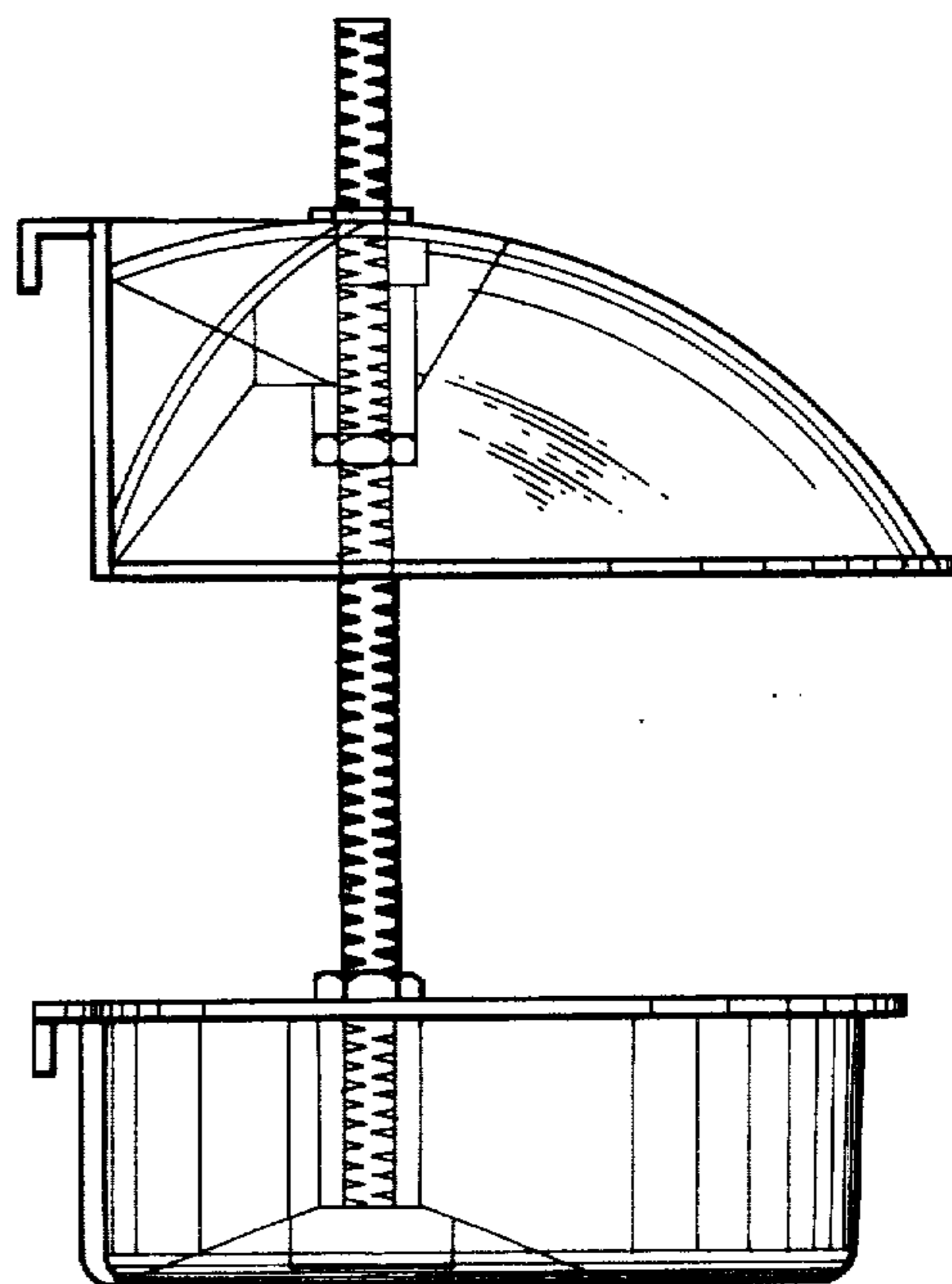


FIG. 2

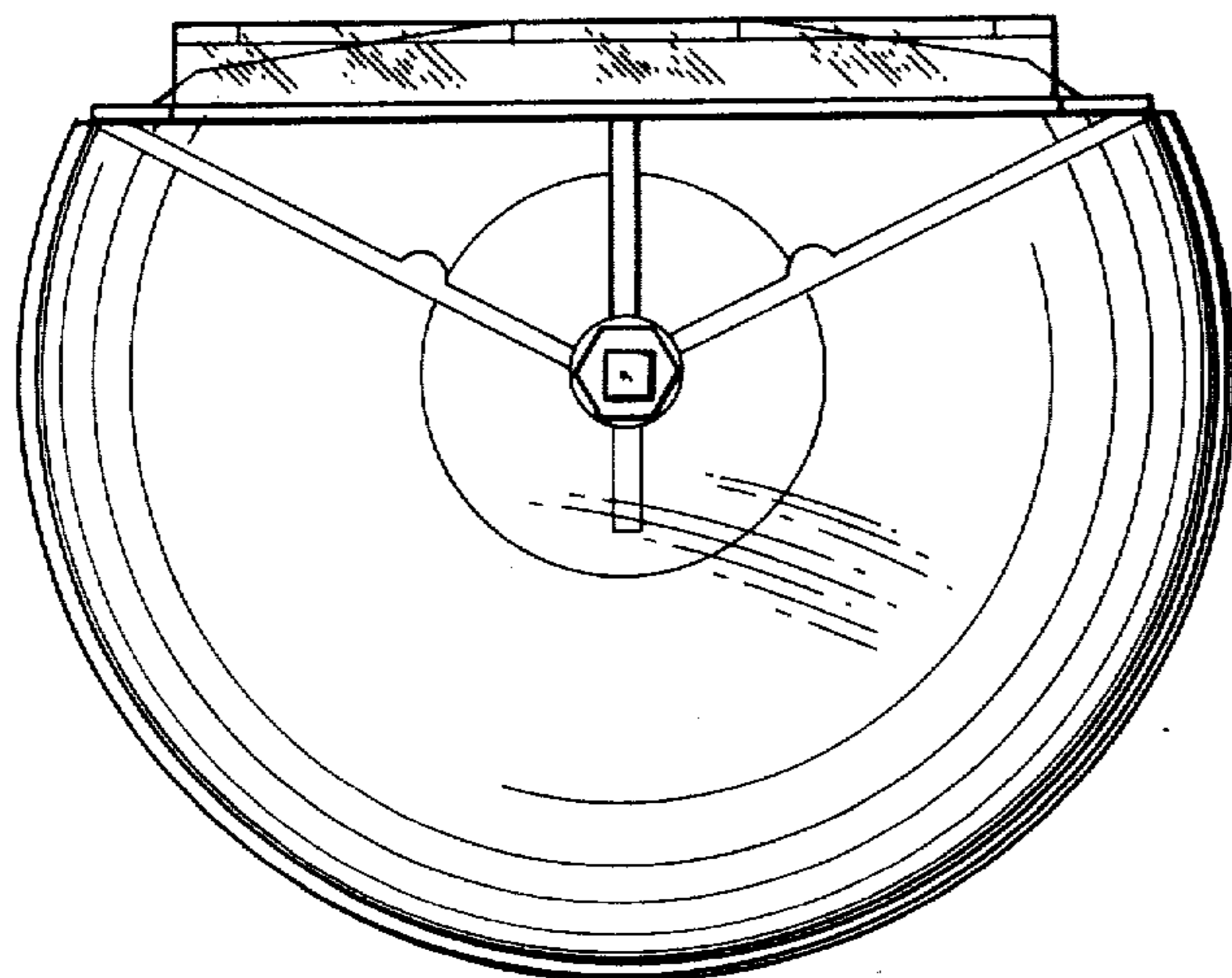


FIG. 3

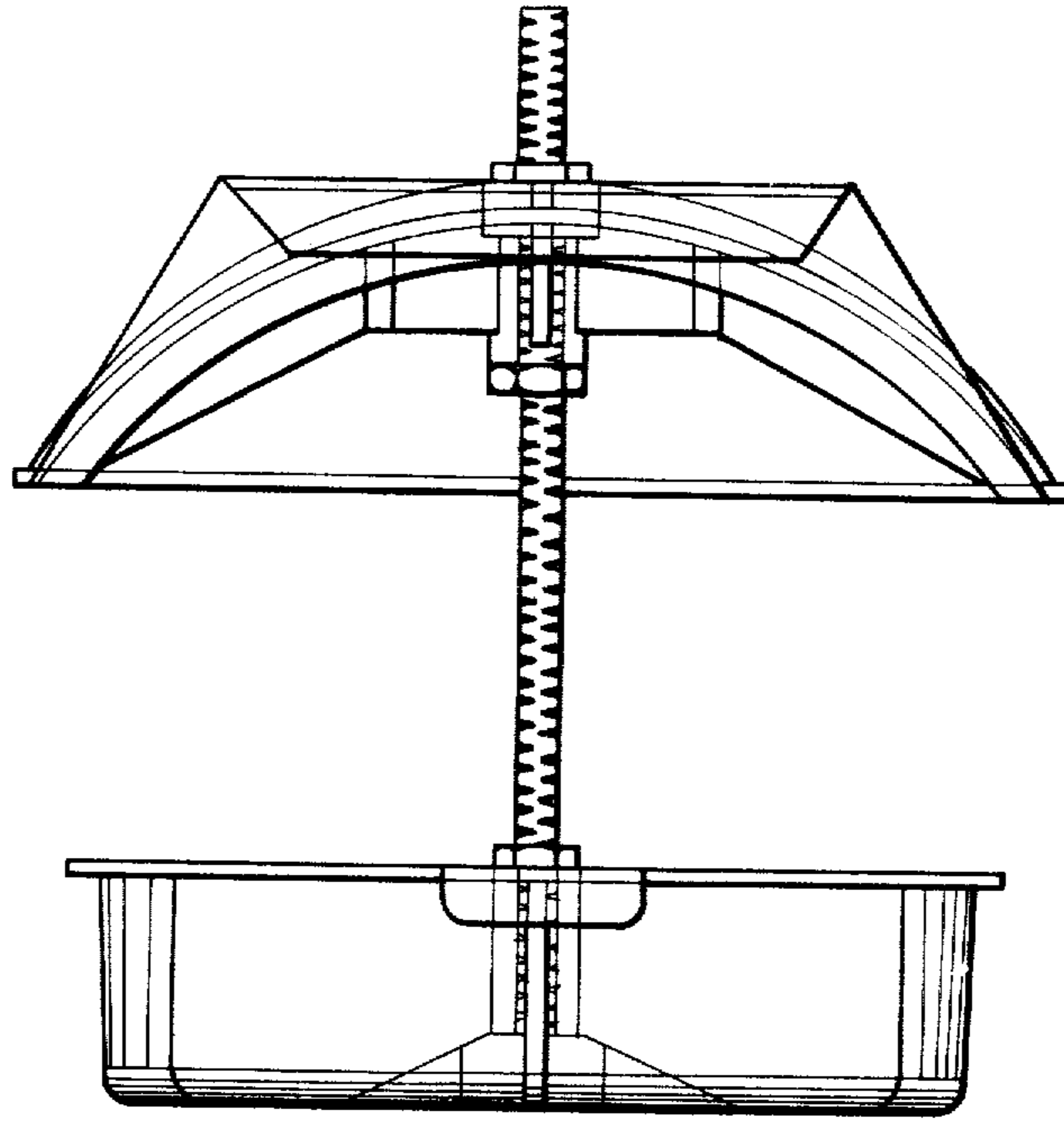


FIG. 4

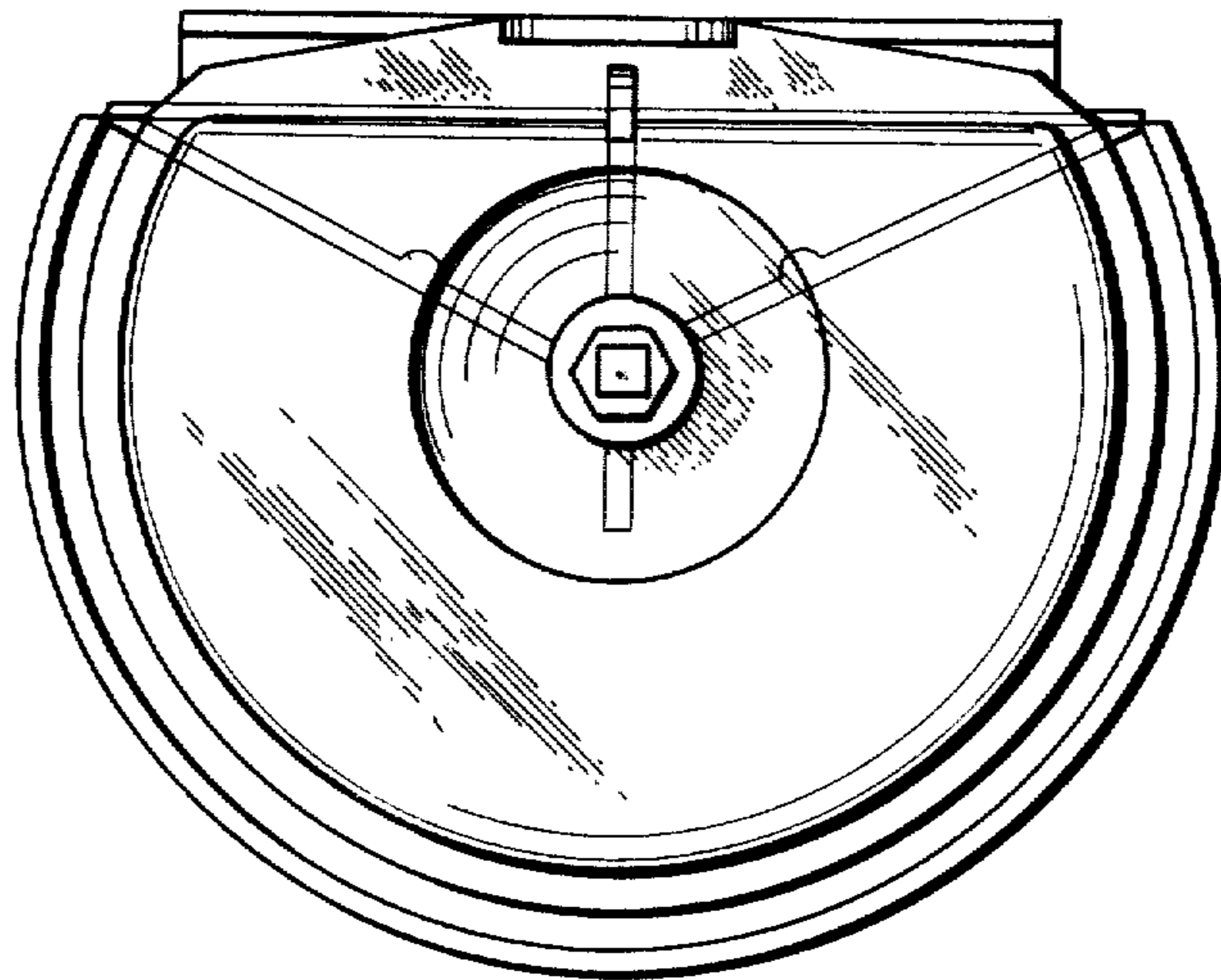


FIG. 5