

[54] BIRD FEEDER PERCH

[76] Inventor: Peter Kilham, P.O. Box 98, Mill Rd., Foster, R.I. 02825

[**] Term: 14 Years

[21] Appl. No.: 156,312

[22] Filed: Jun. 2, 1980

[51] Int. Cl. D30-03

[52] U.S. Cl. D30/13

[58] Field of Search D30/13-18; 119/26 T, 51 R

[56] References Cited

U.S. PATENT DOCUMENTS

D. 193,558	9/1962	Parry	D30/14
D. 231,369	4/1974	Kilham	D30/14
D. 251,021	2/1979	Blasbalg	D30/15
D. 251,591	8/1979	Hyde, Jr.	D30/14

2,306,312	12/1942	Hyde	119/51 R
2,531,915	11/1950	Maly	119/26 X
3,568,641	3/1971	Kilham	D30/14 X

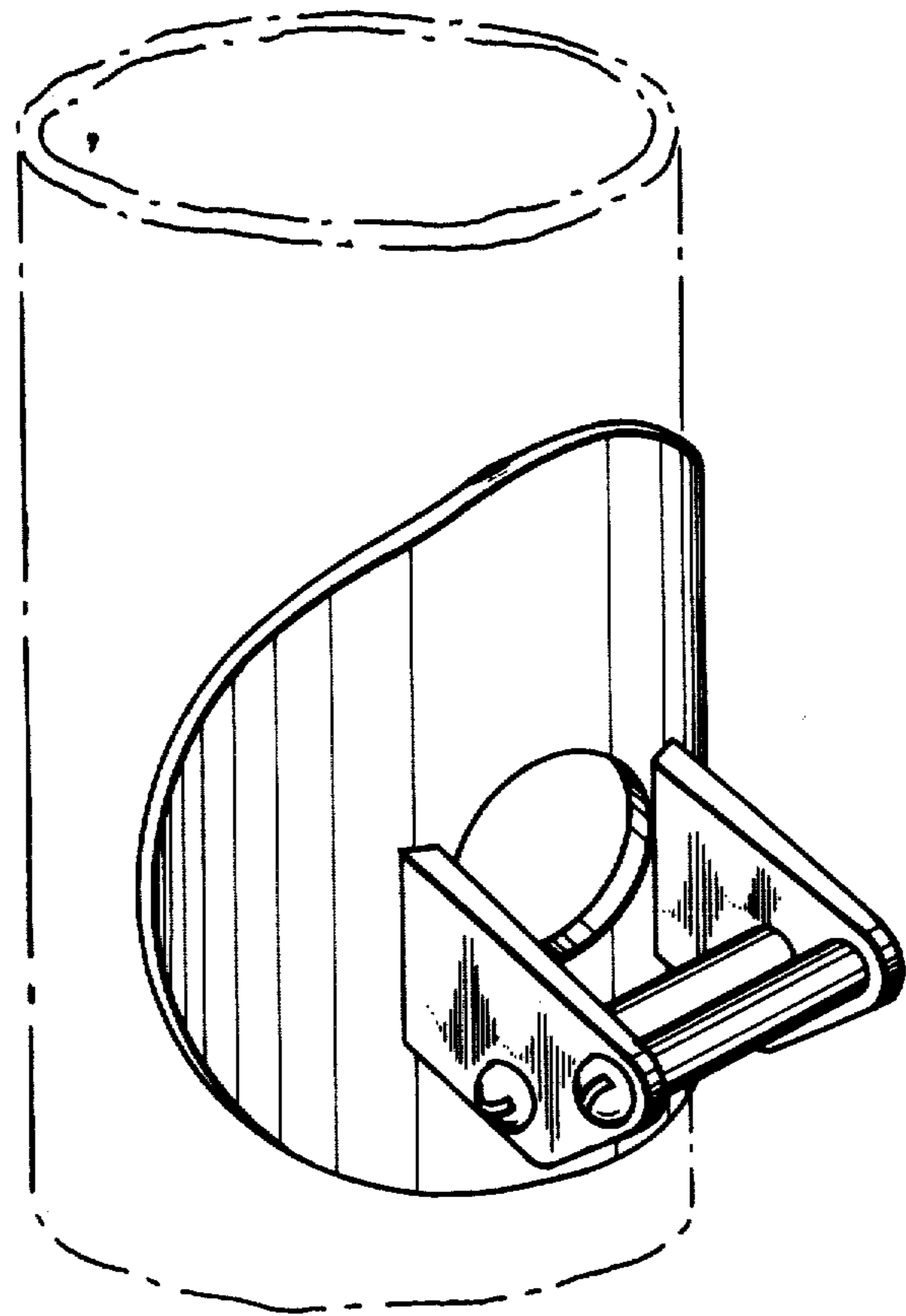
Primary Examiner—James R. Largen
Attorney, Agent, or Firm—Salter & Michaelson

[57] CLAIM

The ornamental design for a bird feeder perch, substantially as shown and described.

DESCRIPTION

FIG. 1 is a perspective view of a bird feeder perch showing my new design;
FIG. 2 is a front elevational view thereof;
FIG. 3 is a side elevational view thereof;
FIG. 4 is a rear elevational view thereof;
FIG. 5 is a top plan view thereof; and
FIG. 6 is a bottom plan view thereof.
The fragmentary broken line representation of a bird feeder in FIG. 1 is for purposes of illustration only.



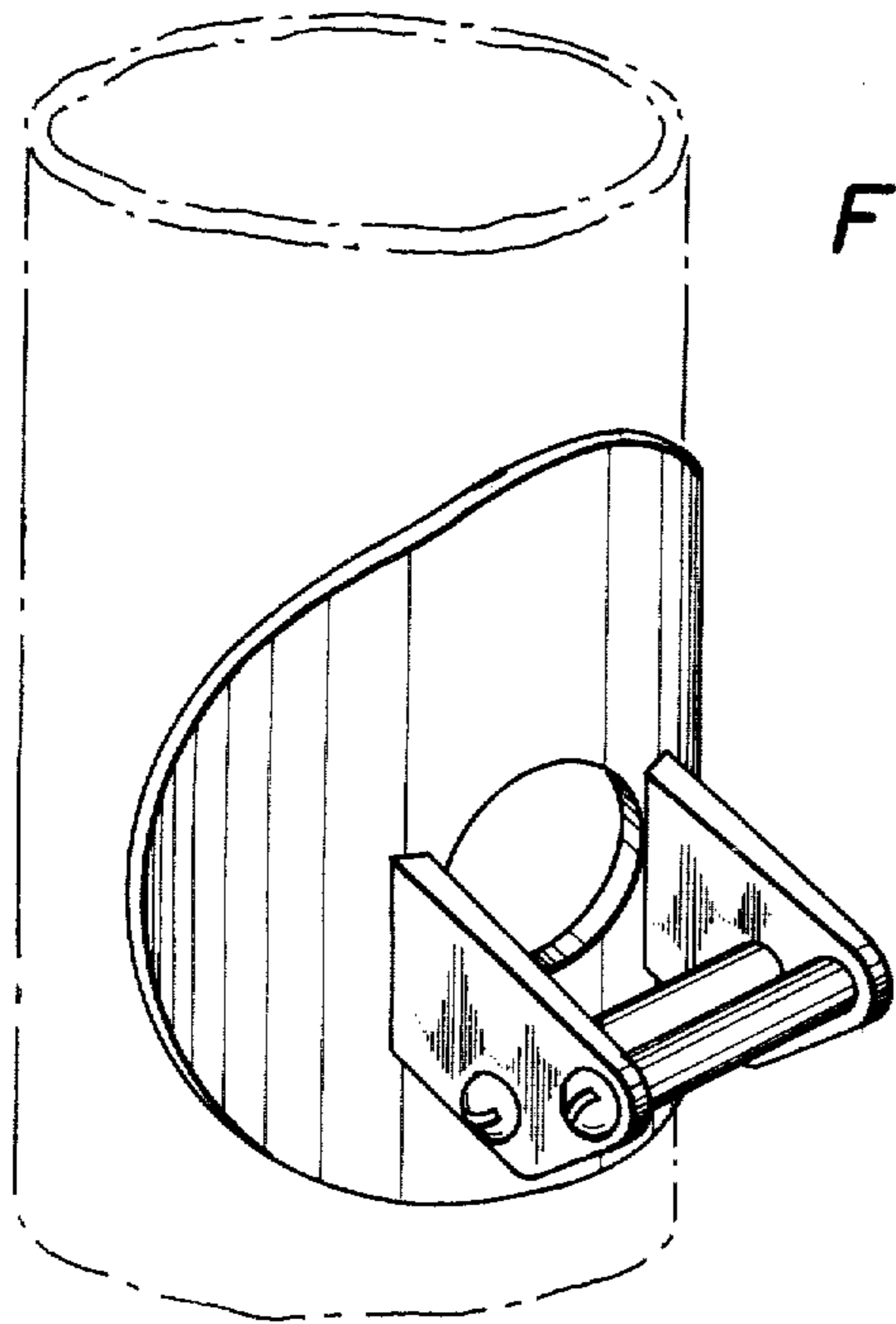


FIG. 1

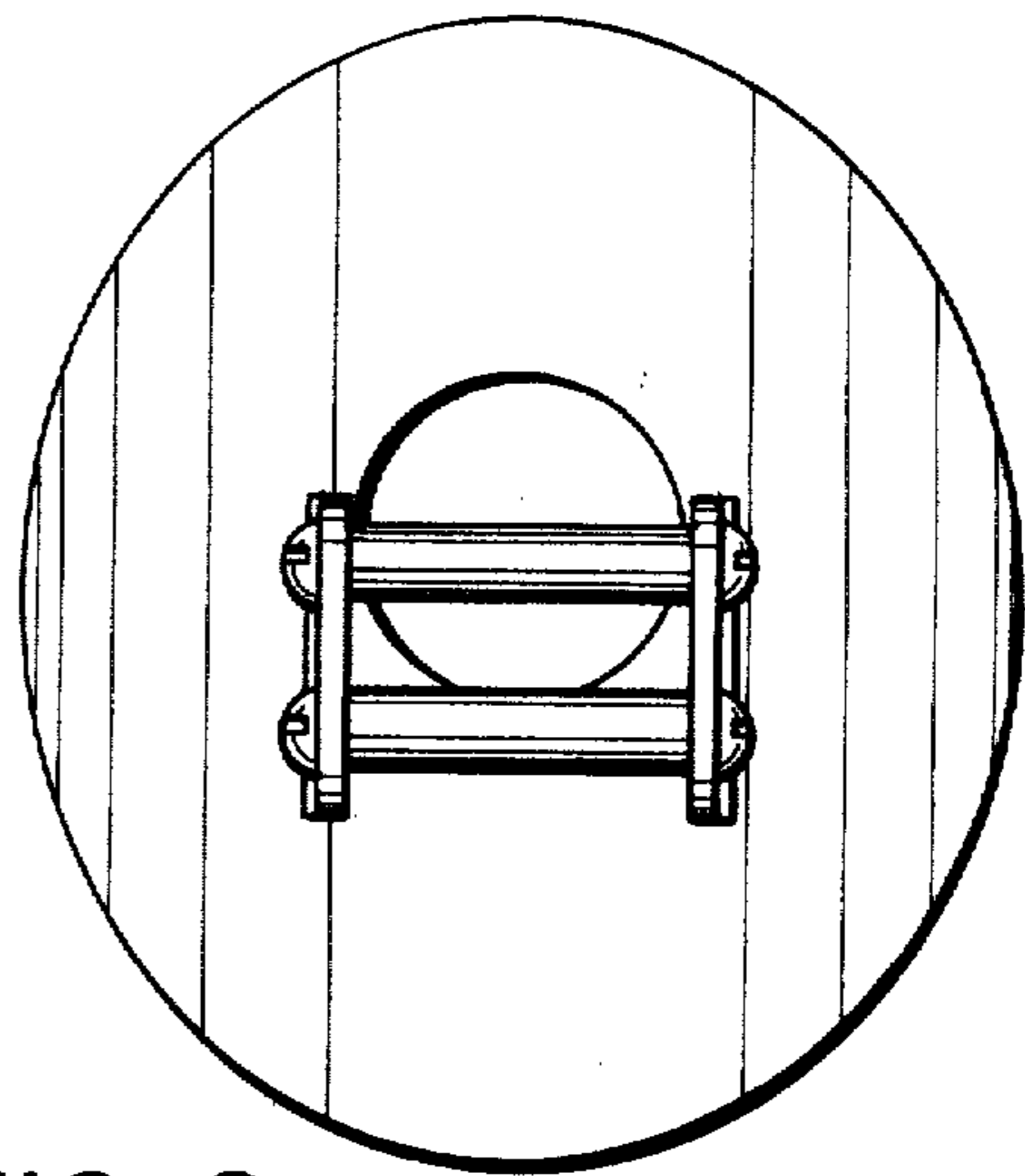


FIG. 2

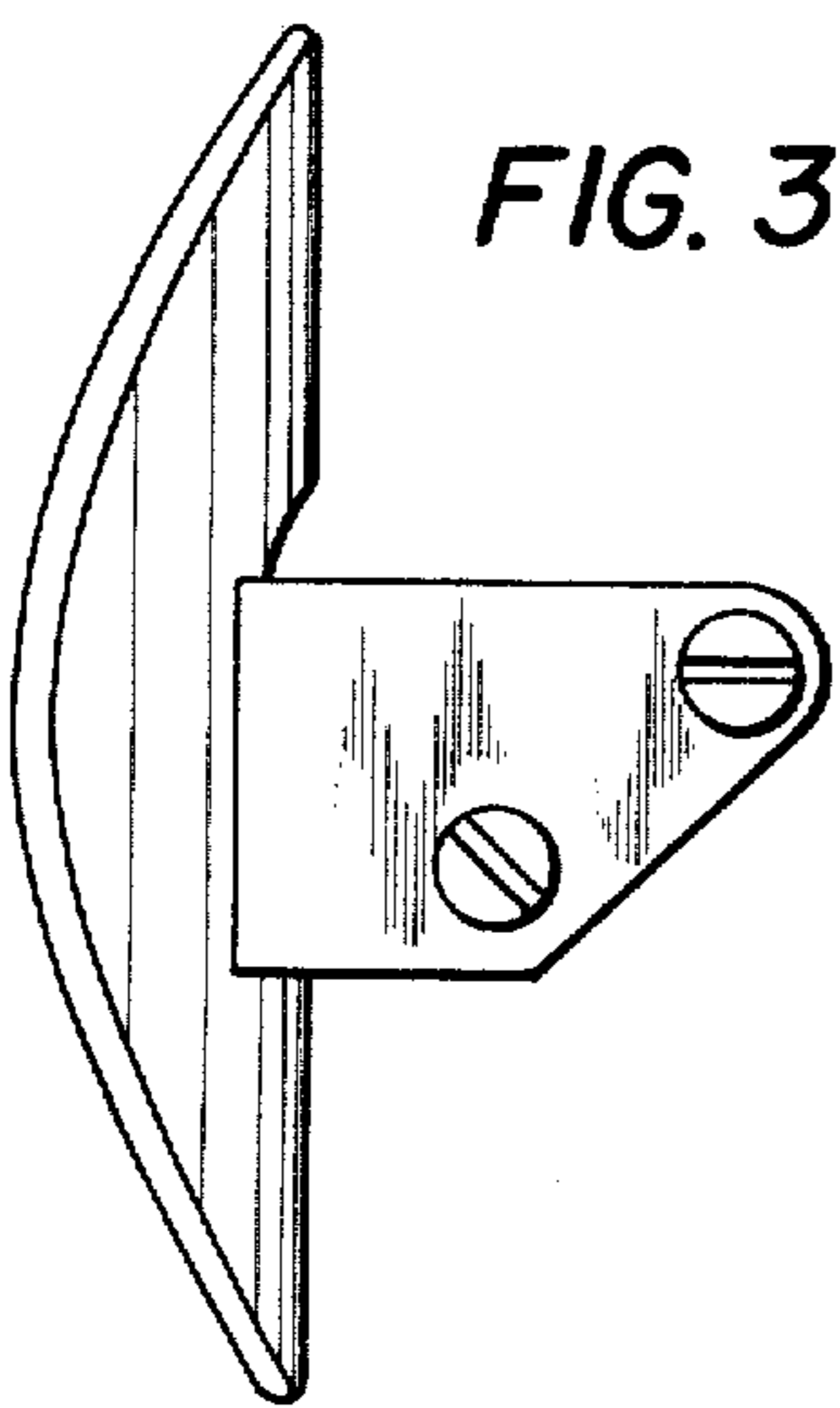


FIG. 3

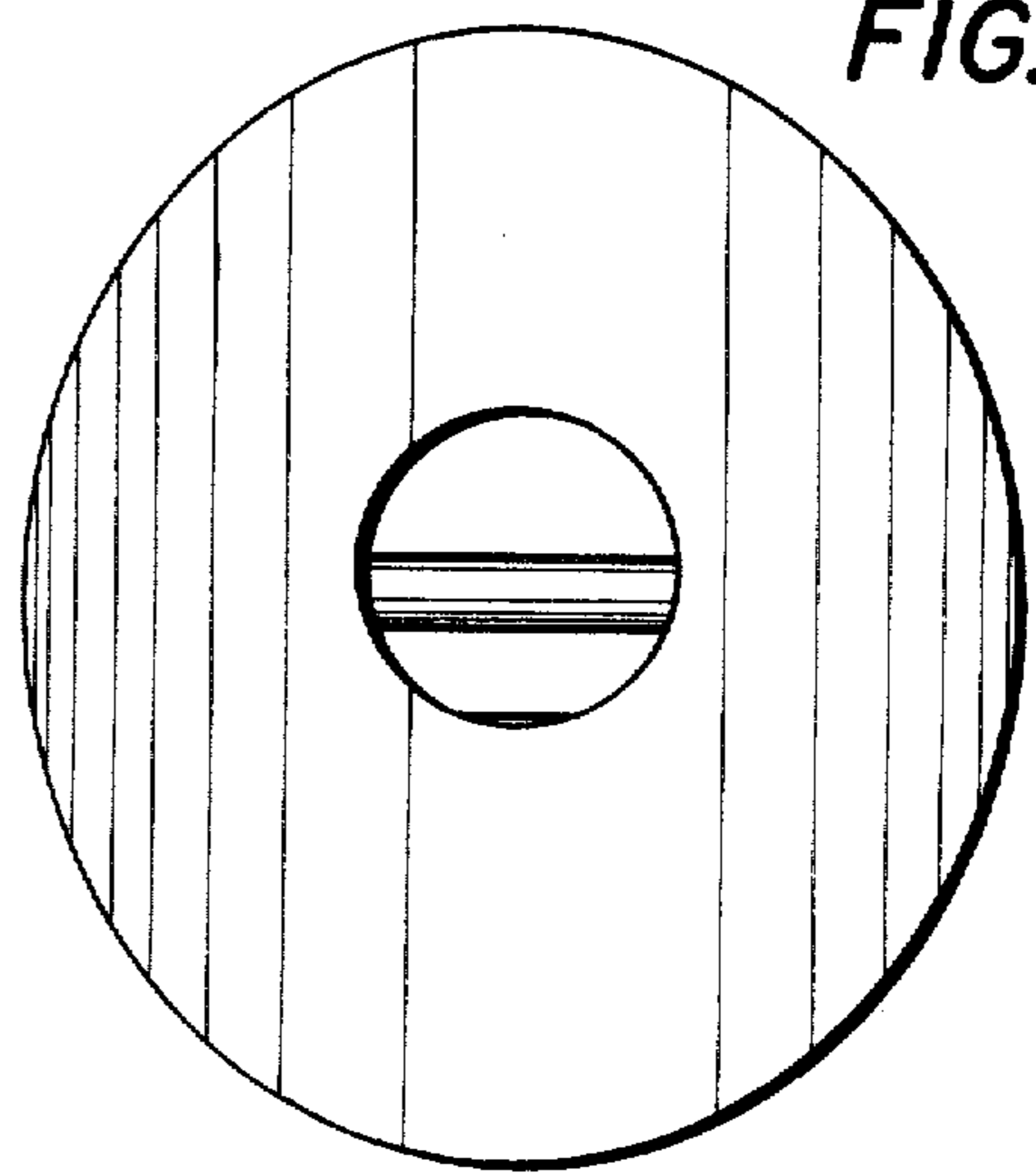


FIG. 4

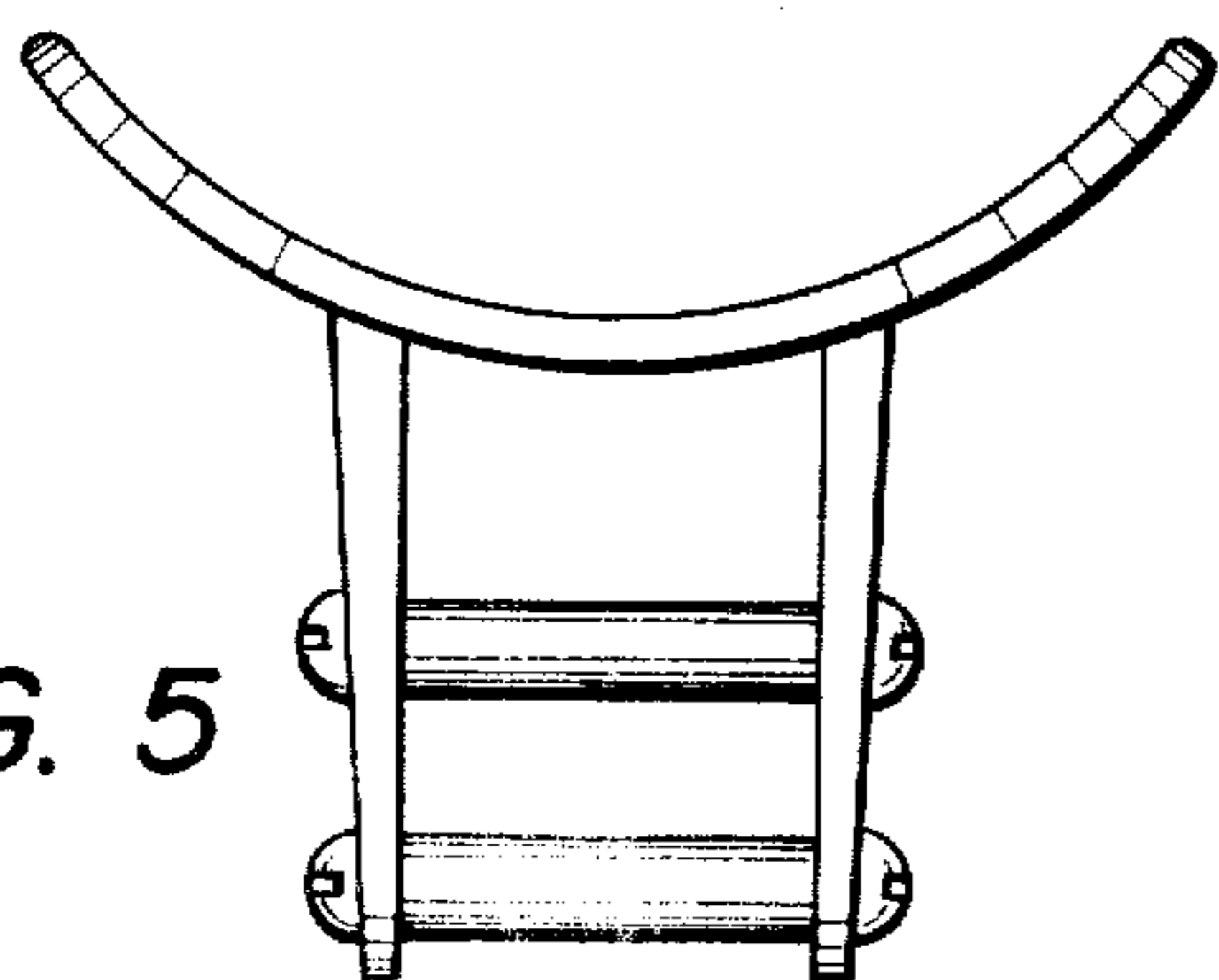


FIG. 5

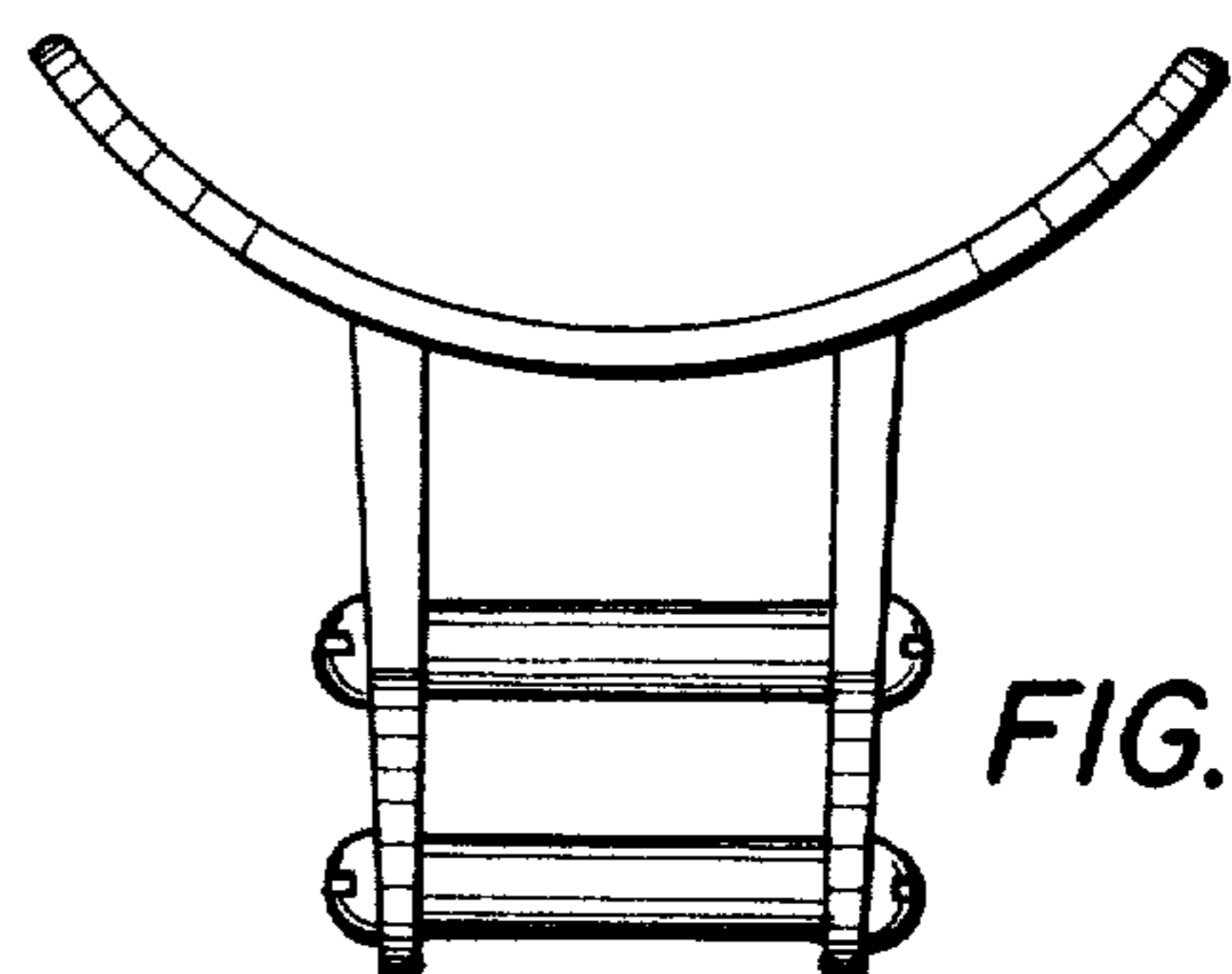


FIG. 6