

- [54] **QUARTZ HALIDE LAMP REFLECTOR-HEAT CONCENTRATOR**
- [76] Inventor: **Russell R. Ellersick**, 7925 Twin Oaks Dr., Citrus Heights, Calif. 95610
- [**] Term: **14 Years**
- [21] Appl. No.: **934,637**
- [22] Filed: **Aug. 17, 1978**
- [51] Int. Cl. **D26—05; D23—03**
- [52] U.S. Cl. **D26/118; D23/127; D26/24**
- [58] **Field of Search** 219/411, 553, 405; D26/118, 128, 130, 131, 133, 134, 135, 136, 137, 24; D23/127; 362/92, 217, 218, 219, 220, 222, 223, 224, 235, 236, 240, 242, 244, 245, 246, 249, 263, 264, 269, 270, 296, 297, 298, 311, 317, 329, 341-347, 349, 350, 362, 370

[56] **References Cited**

U.S. PATENT DOCUMENTS

496,474	5/1893	Dillon	362/235
3,427,435	2/1969	Webb	219/411
4,052,593	10/1977	Ebert	219/411

FOREIGN PATENT DOCUMENTS

1080738	6/1954	France	362/355
1213879	11/1959	France	219/411
581962	9/1958	Italy	219/411

1289099 9/1972 United Kingdom 362/220

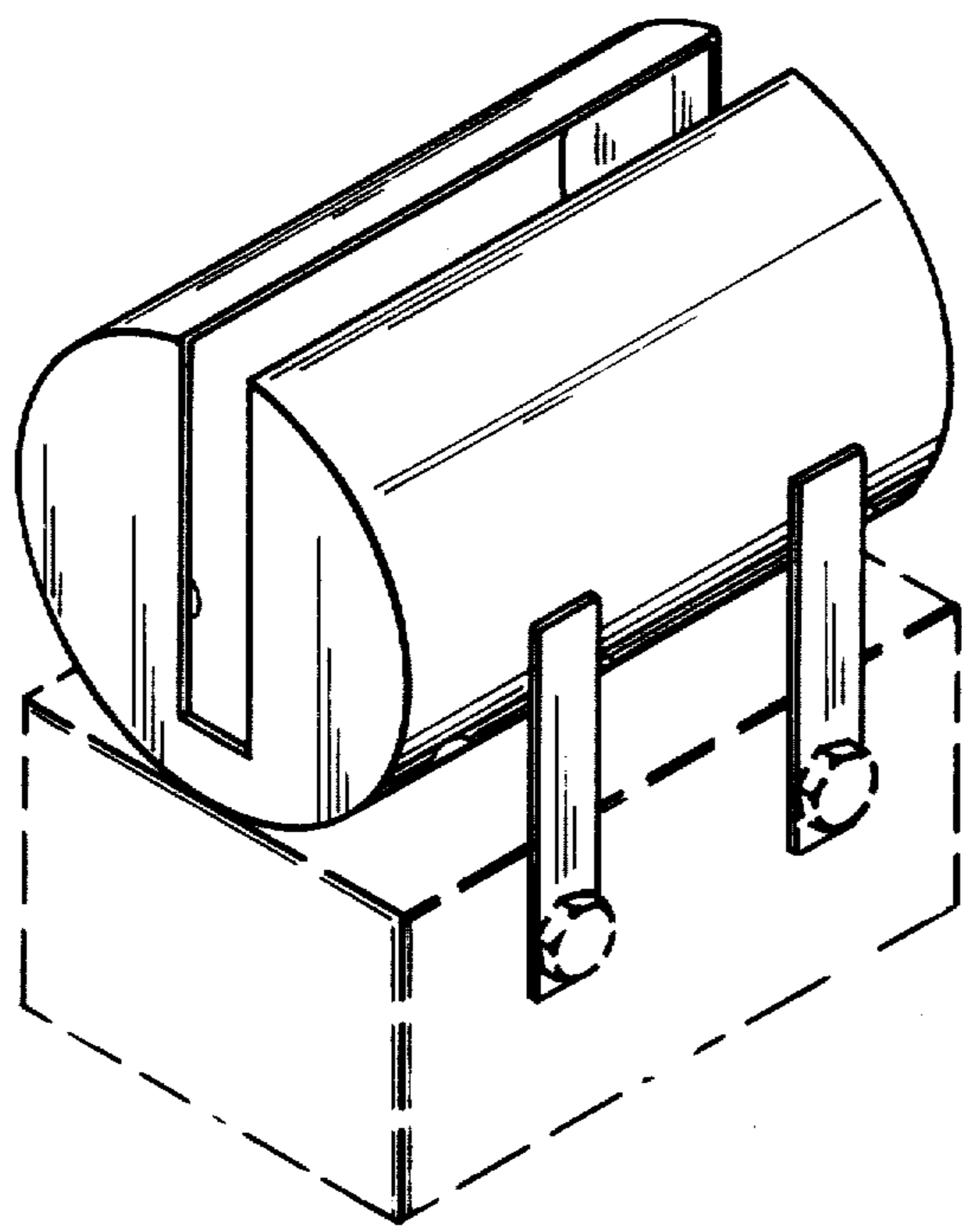
Primary Examiner—Susan J. Lucas
Attorney, Agent, or Firm—Mark C. Jacobs

[57] **CLAIM**

The ornamental design for a quartz halide lamp reflector-heat concentrator, substantially as shown and described.

DESCRIPTION

FIG. 1 is a perspective view of a quartz halide lamp reflector heat concentrator showing my new design.
 FIG. 2 is a left side elevational view thereof.
 FIG. 3 is a top plan view thereof.
 FIG. 4 is a perspective view of a second embodiment of my new design in an open position.
 FIG. 5 is a perspective view of a third embodiment of my new design in an open position.
 FIG. 6 is a rear elevational view of the third embodiment in a closed condition.
 FIG. 7 is a left side elevational view of the third embodiment in an open position.
 FIG. 8 is a left side elevational view of the second embodiment in a closed position.
 FIG. 9 is a front elevational view of the second embodiment in a closed position.
 FIG. 10 is a bottom plan view of the embodiment of FIG. 1.
 The quartz halide lamp housing and screws are shown in broken lines for illustrative purposes only.



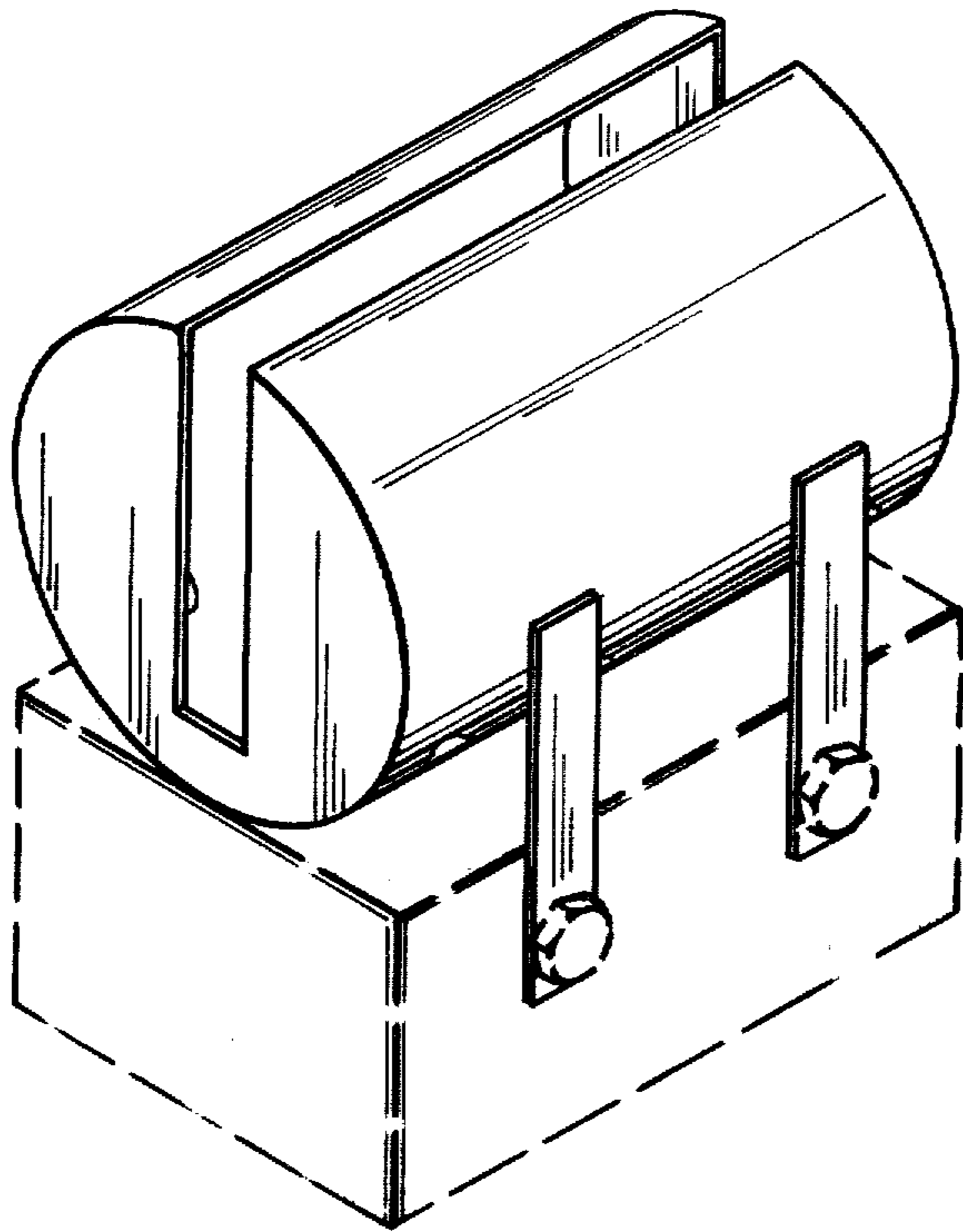


FIG 1

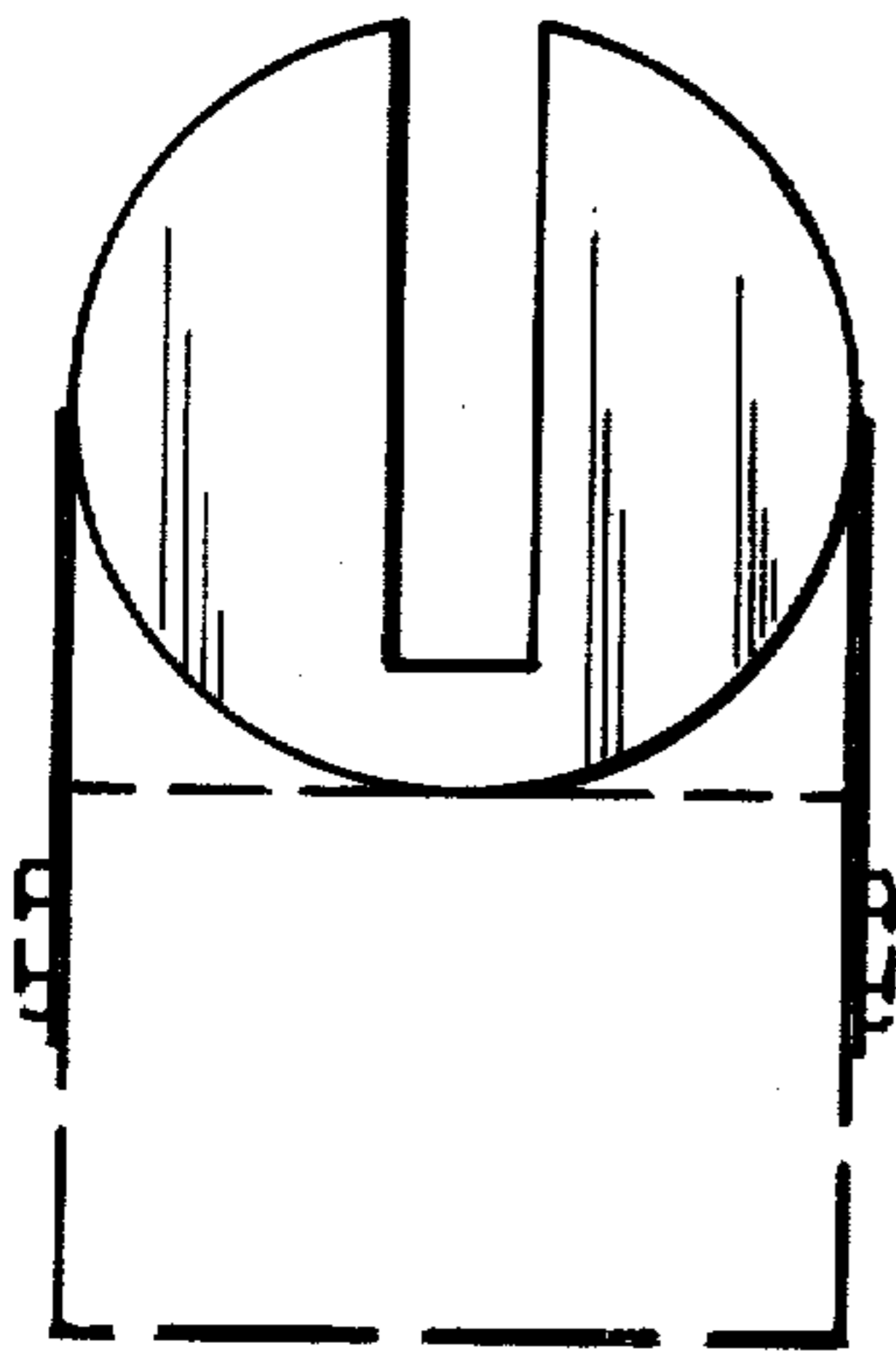


FIG 2

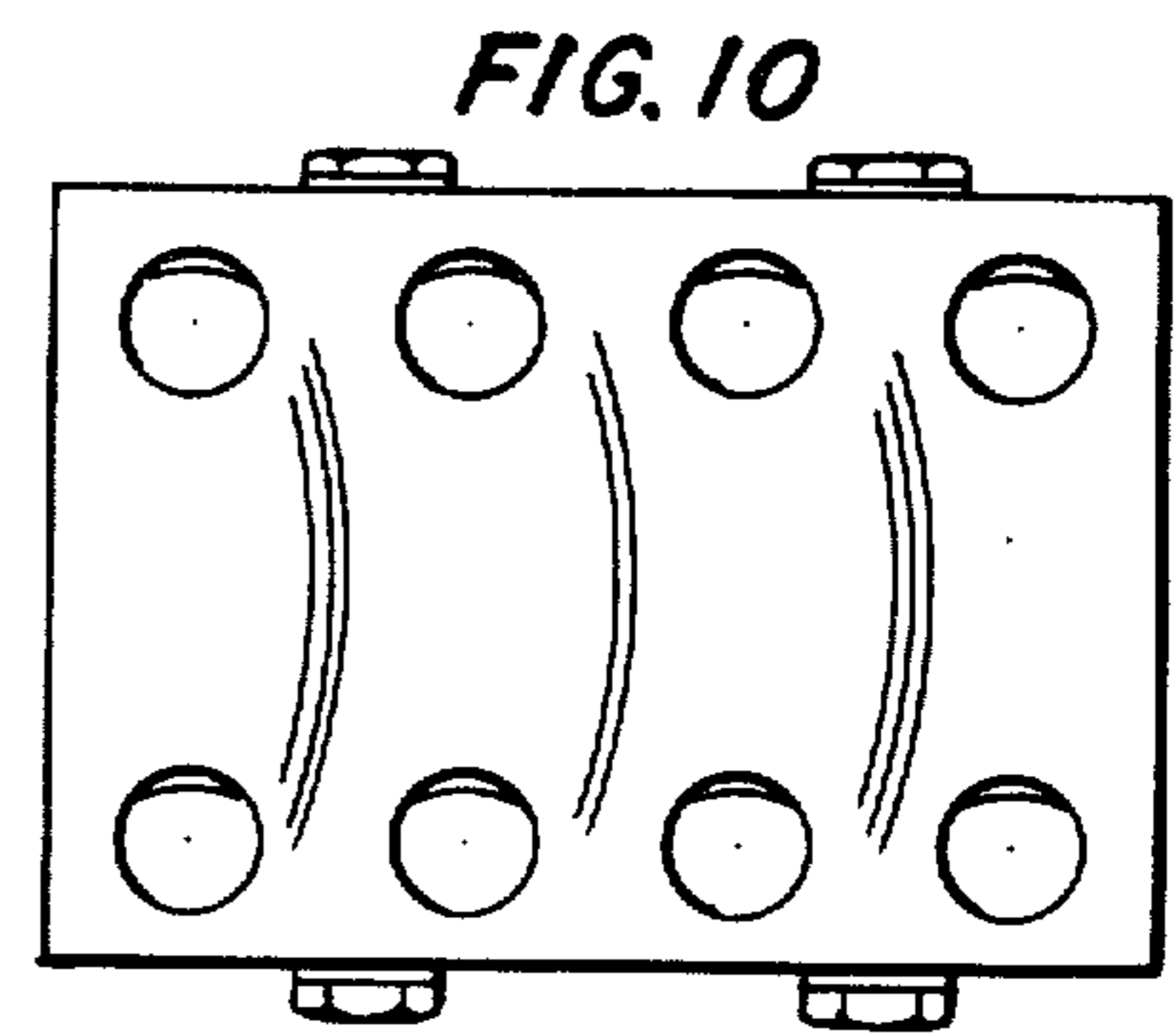


FIG. 10

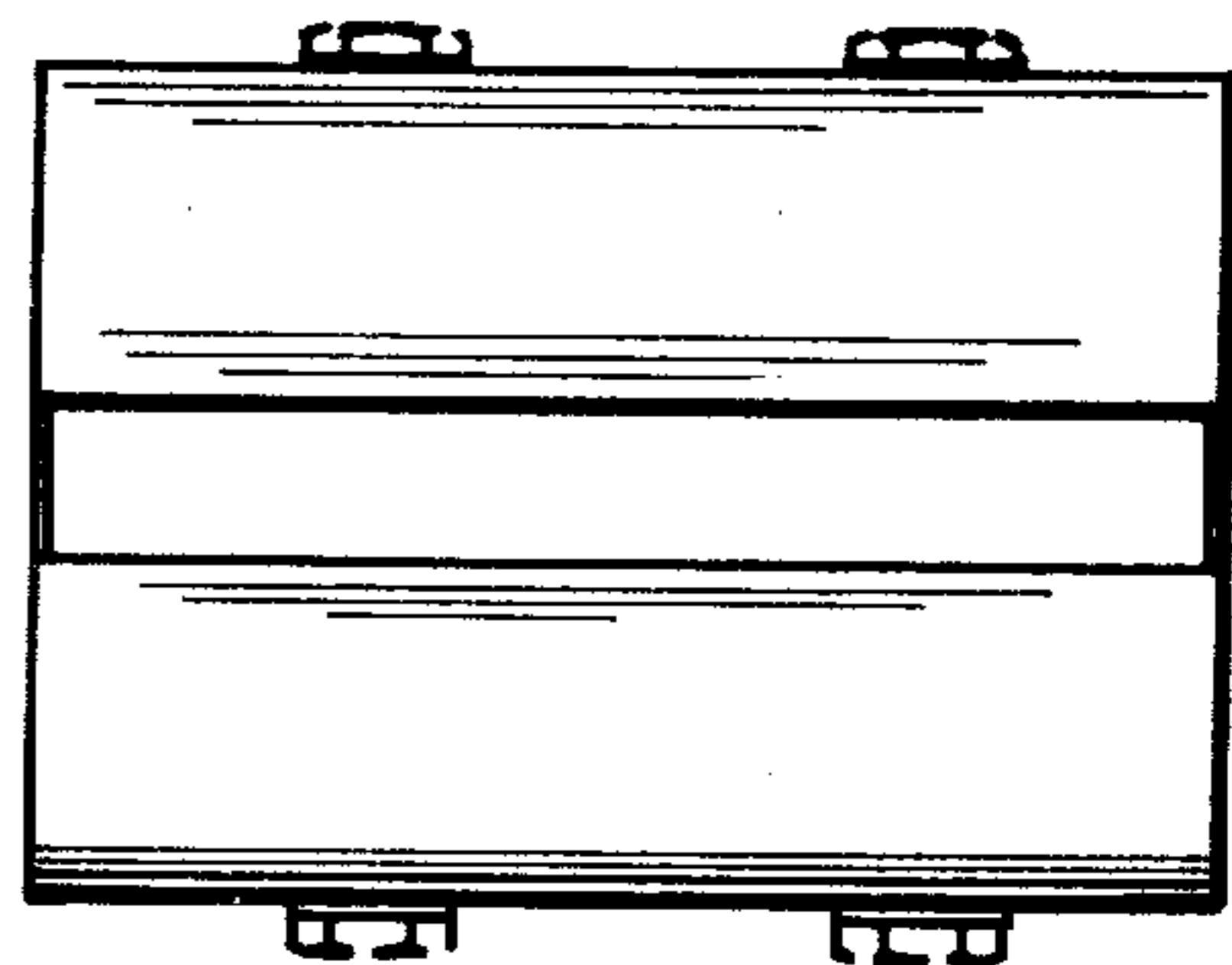


FIG 3

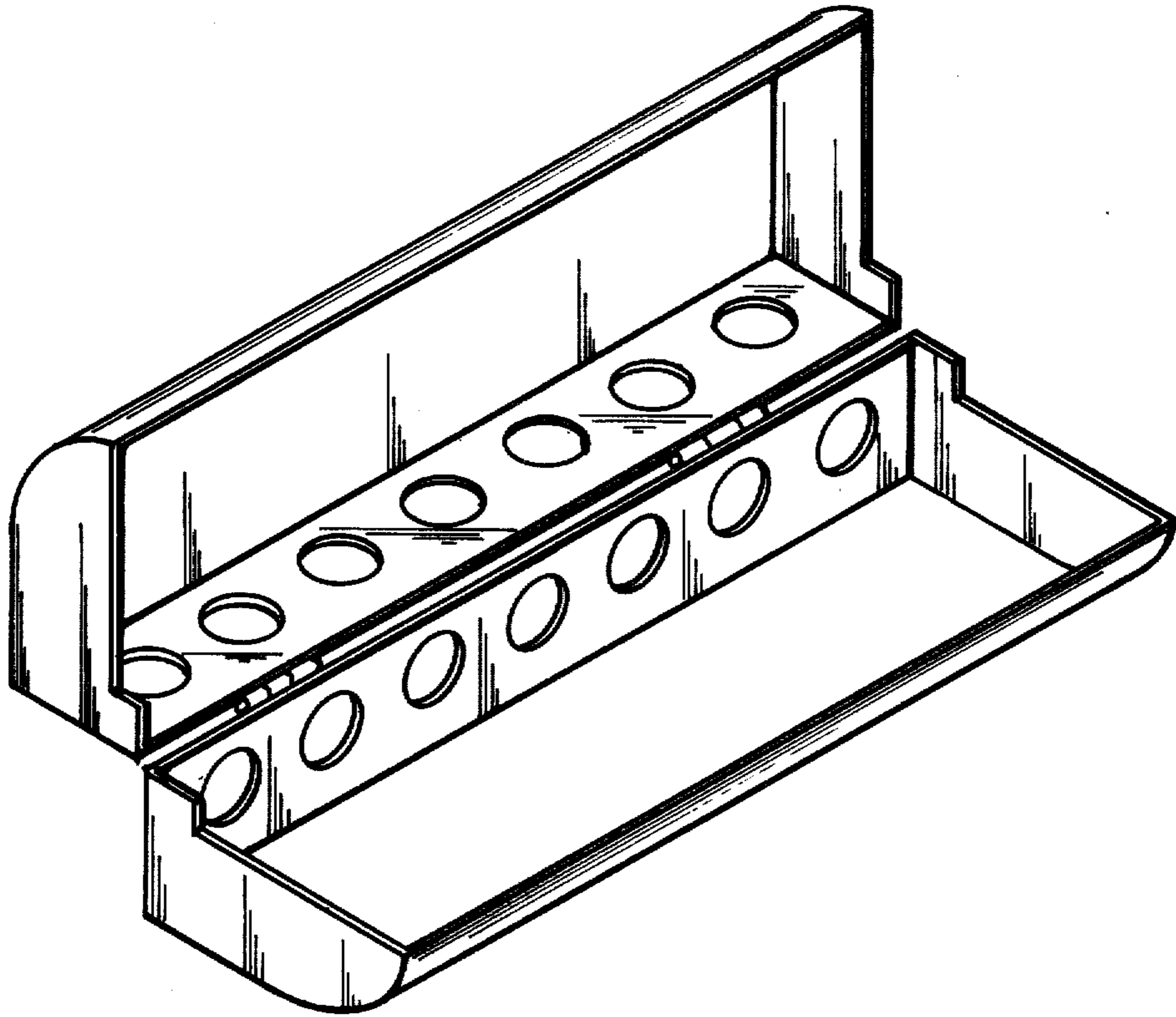


FIG 4

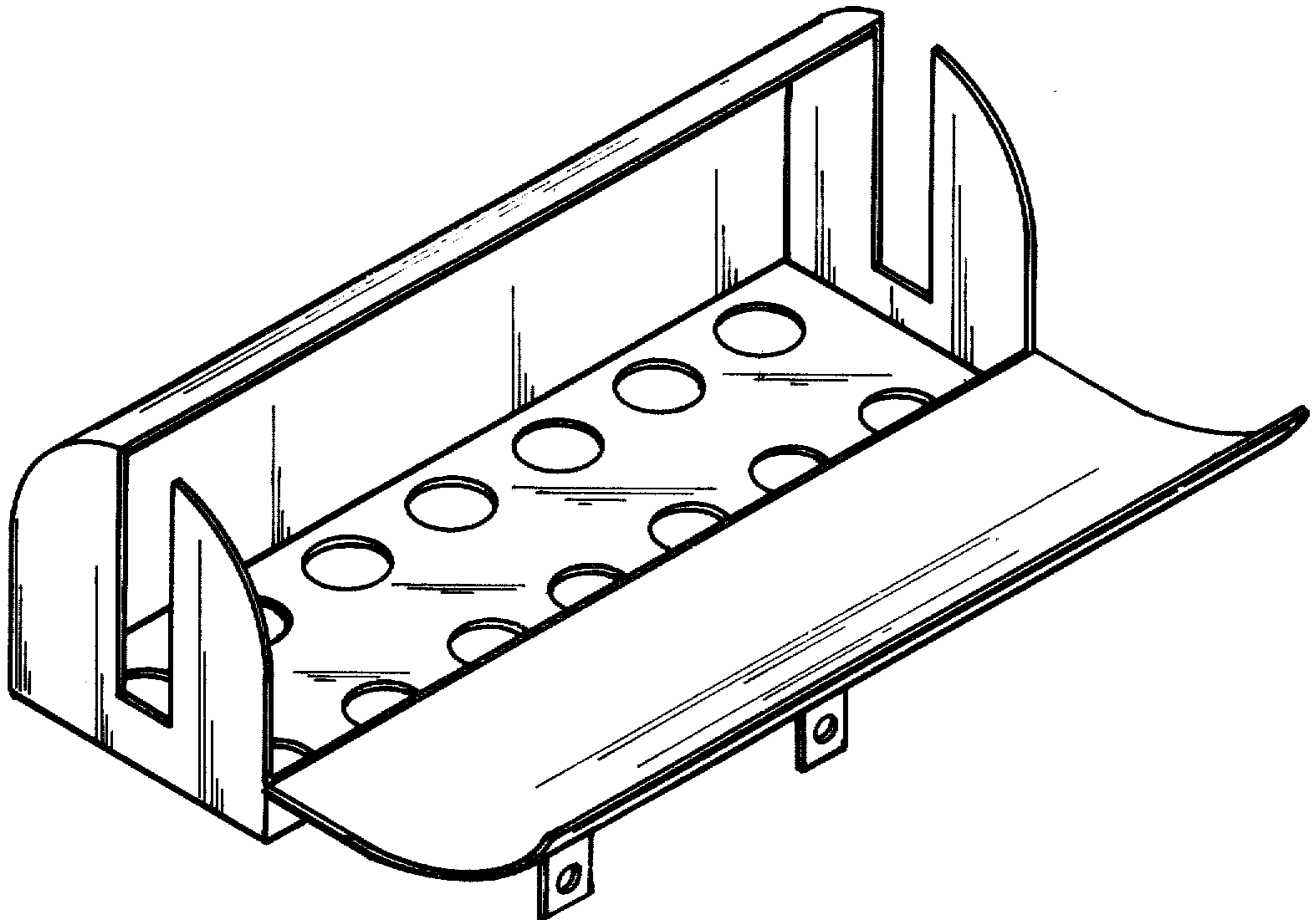


FIG 5

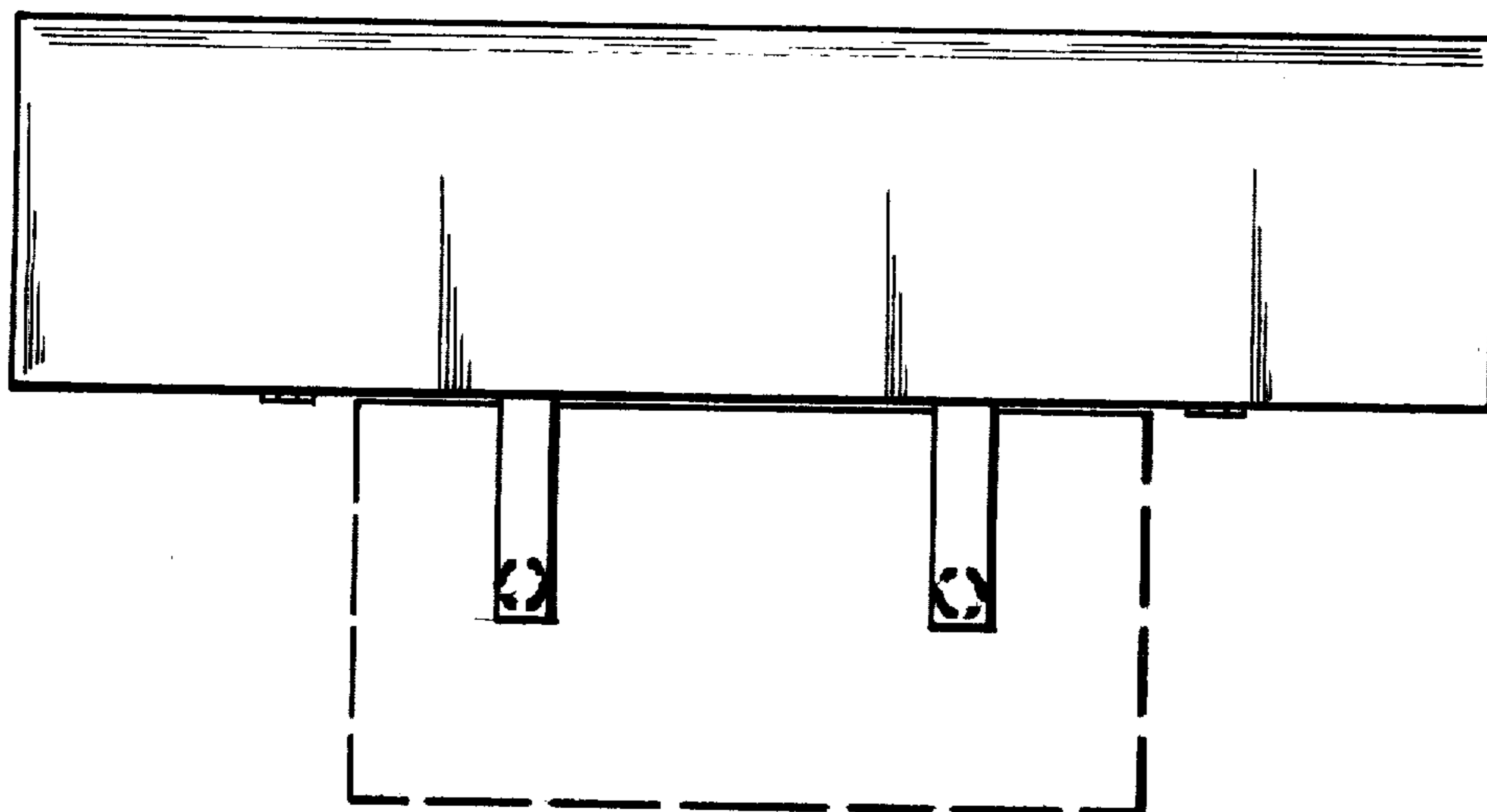


FIG 6

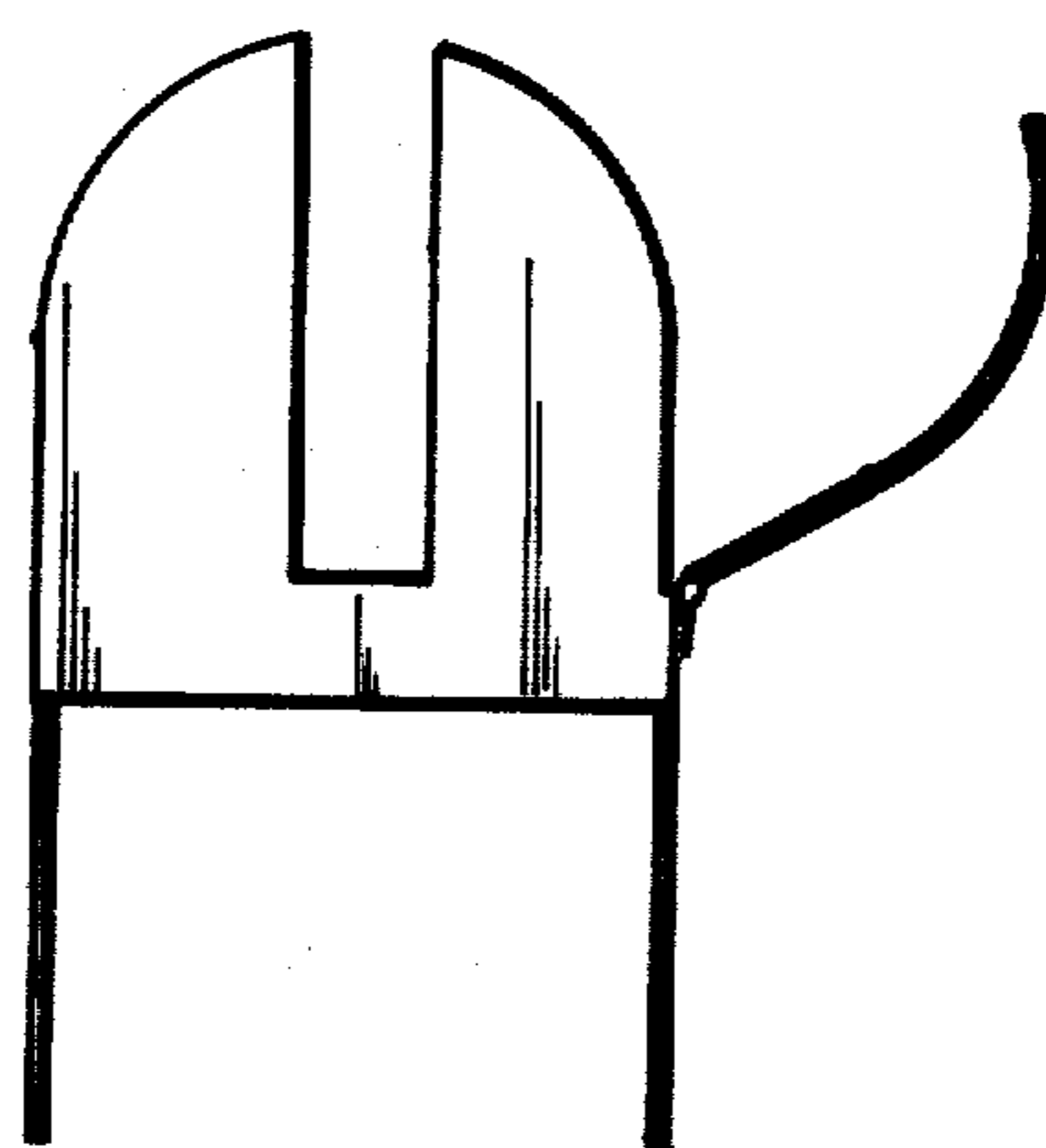


FIG 7

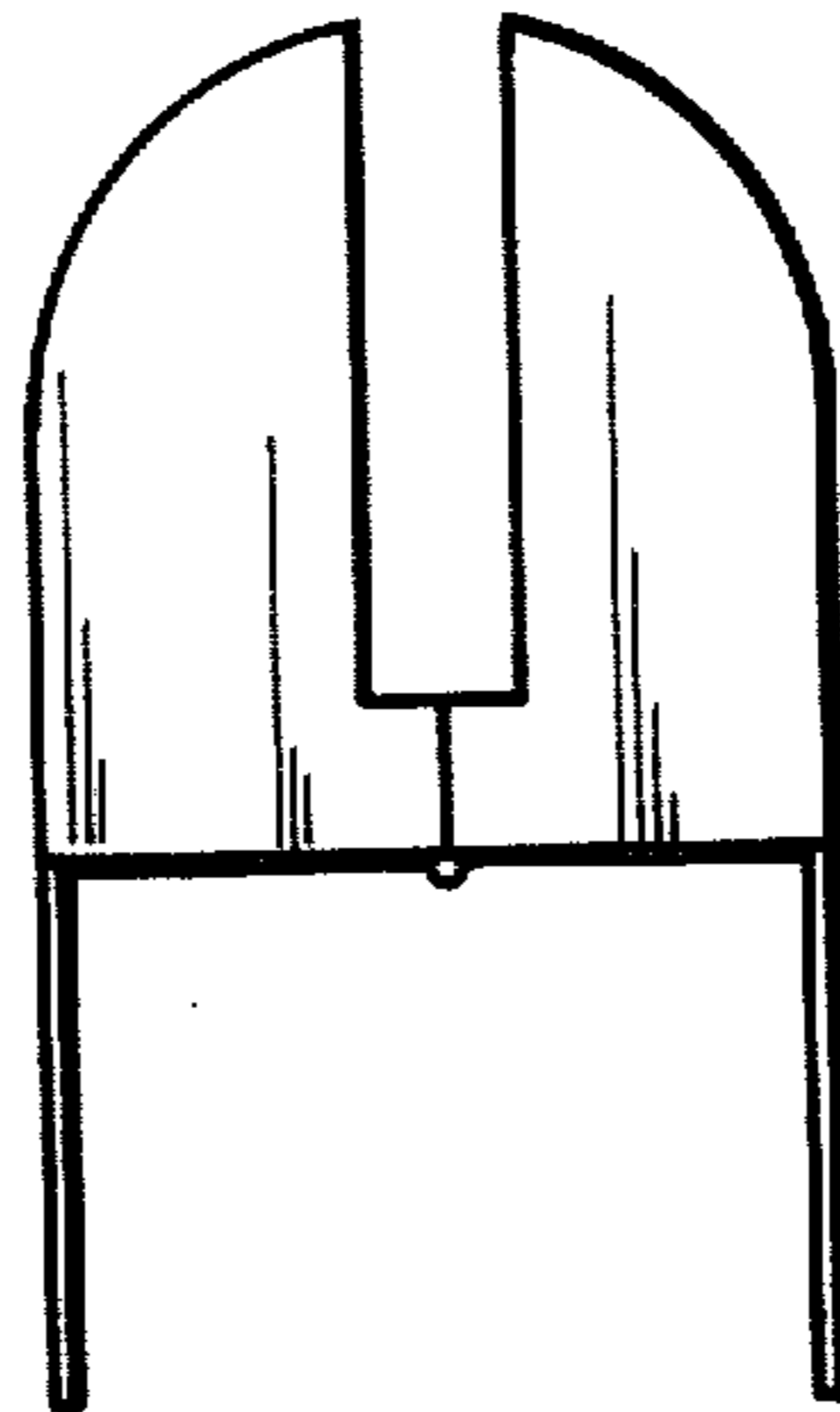


FIG 8

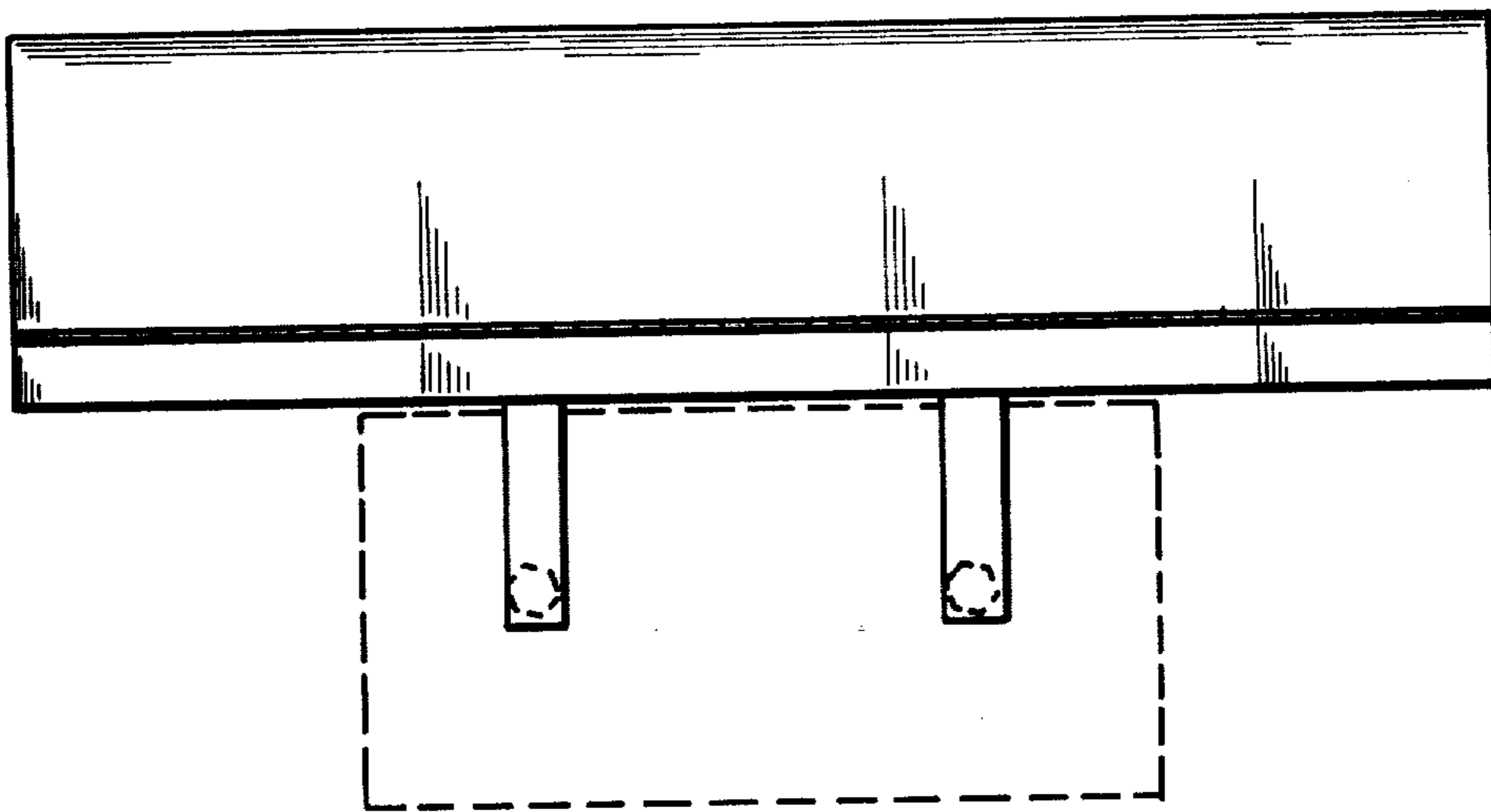


FIG 9