

[54] GRIPPABLE TUBING CLAMP OR THE LIKE

[75] Inventor: Herbert F. D'Alo, Crystal Lake, Ill.

[73] Assignee: Abbott Laboratories, North Chicago, Ill.

[**] Term: 14 Years

[21] Appl. No.: 106,113

[22] Filed: Dec. 21, 1979

[51] Int. Cl. D24-02

[52] U.S. Cl. D24/27; D8/396; D8/356

[58] Field of Search D24/27; D8/396, 356; 128/214 R; 251/6, 4; 24/115 G, 115 M, 251, 260, 136 A

[56] References Cited

U.S. PATENT DOCUMENTS

1,238,167	8/1917	McIntyre	24/136 R
1,806,844	5/1931	Dennis	24/136 R
3,135,259	6/1964	Evans	128/214 R
3,630,481	12/1971	McGay	251/6
3,893,468	7/1975	McPhee	251/6
3,915,167	10/1975	Waterman	D24/27

3,918,675	11/1975	Forberg	251/4
4,238,108	12/1980	Muetteries	251/6

FOREIGN PATENT DOCUMENTS

2855572	10/1979	Fed. Rep. of Germany	251/6
---------	---------	----------------------	-------

Primary Examiner—T. Tung

Attorney, Agent, or Firm—Robert L. Niblack; Robert S. Beiser

[57] CLAIM

The ornamental design for a grippable tubing clamp or the like, substantially as shown.

DESCRIPTION

FIG. 1 is a perspective view showing the rear, top and right side of my new design for a grippable tubing clamp or the like;

FIG. 2 is a side view thereof;

FIG. 3 is a rear view thereof;

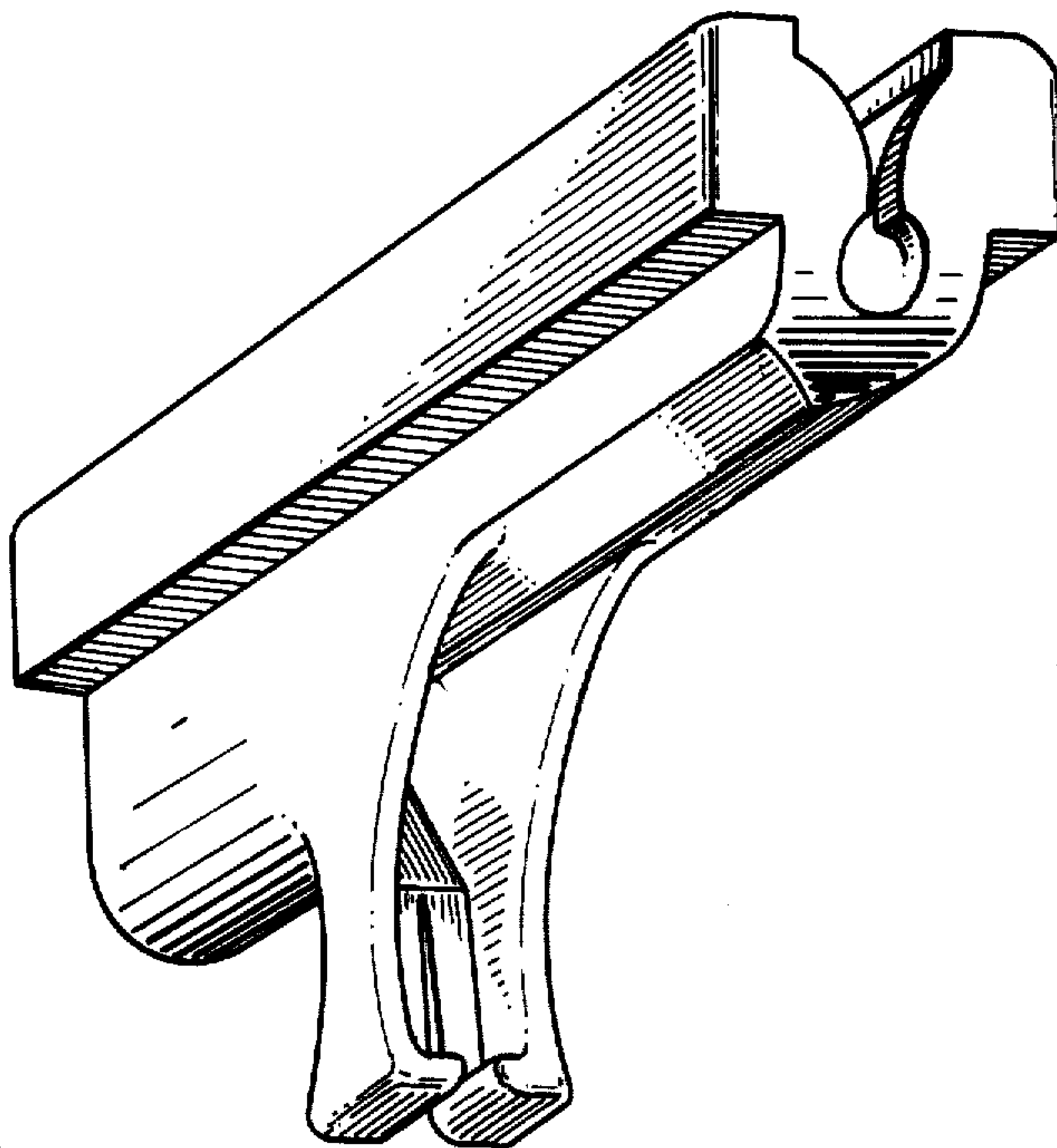
FIG. 4 is a front view thereof;

FIG. 5 is a top view thereof;

FIG. 6 is a bottom view thereof;

FIG. 7 of the drawings is a perspective view showing the front and bottom thereof;

FIG. 8 of the drawings is a perspective view showing the rear and bottom thereof.



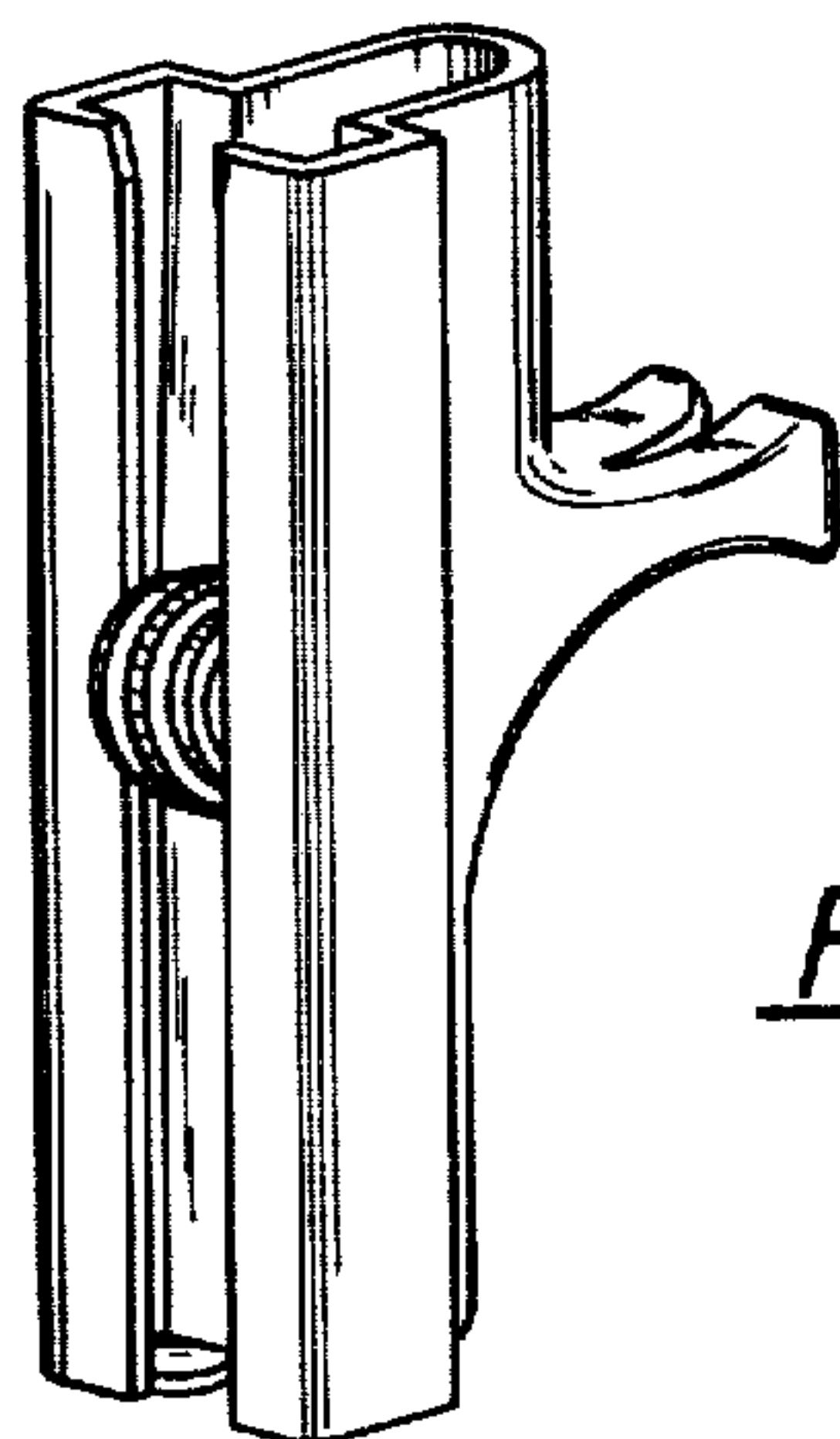


FIG. 1

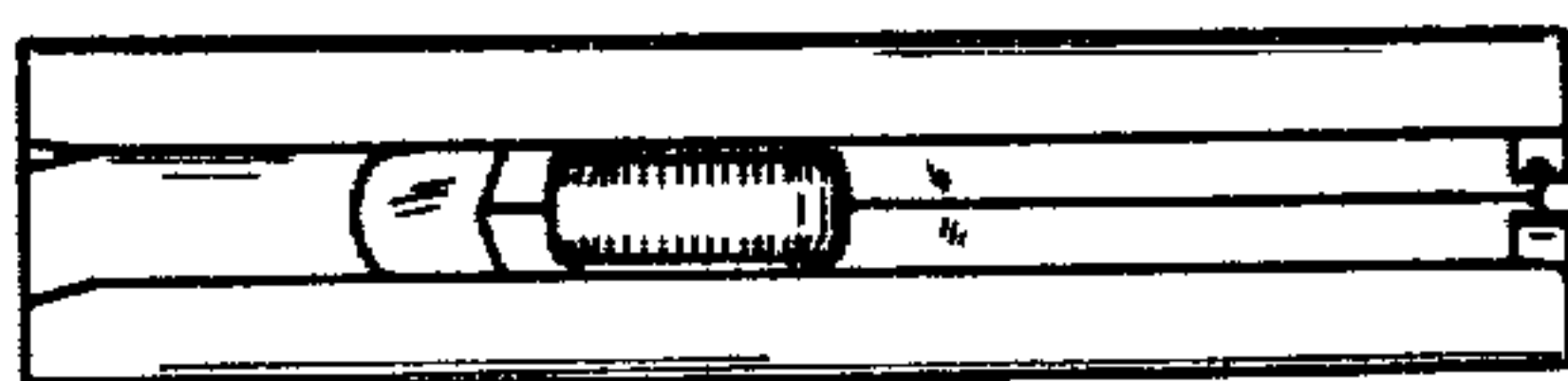


FIG. 5

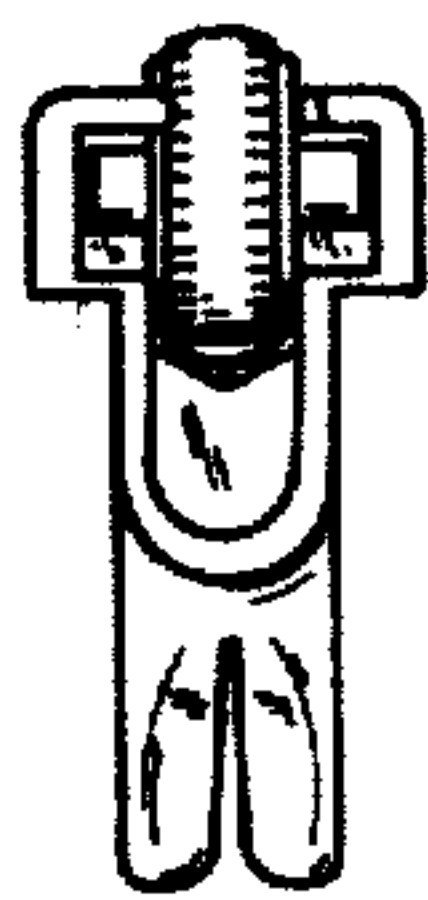


FIG. 3

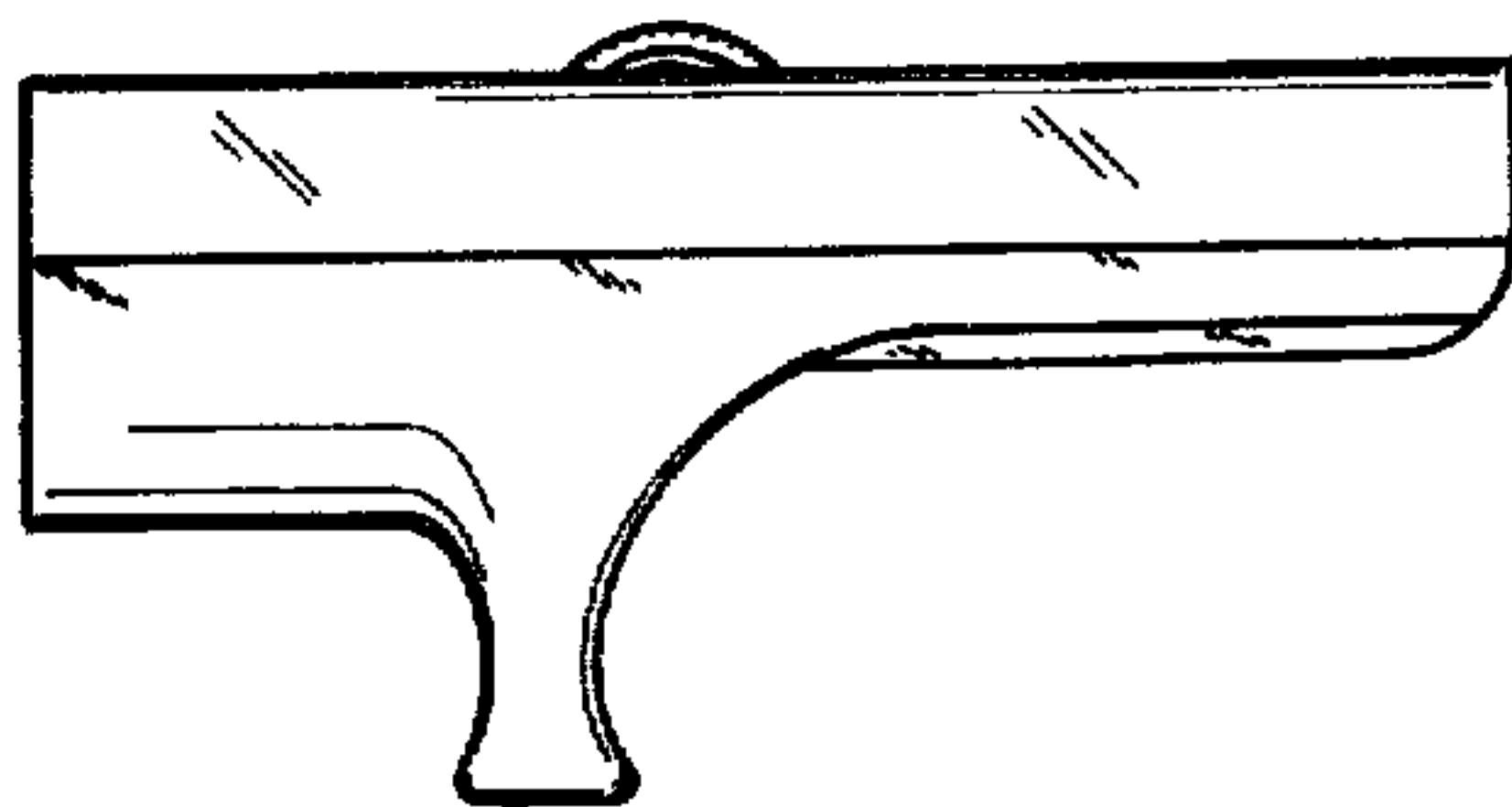


FIG. 2

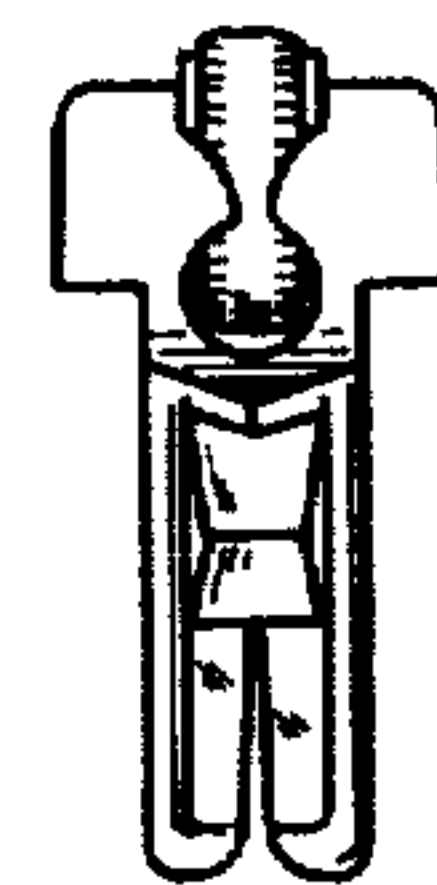


FIG. 4

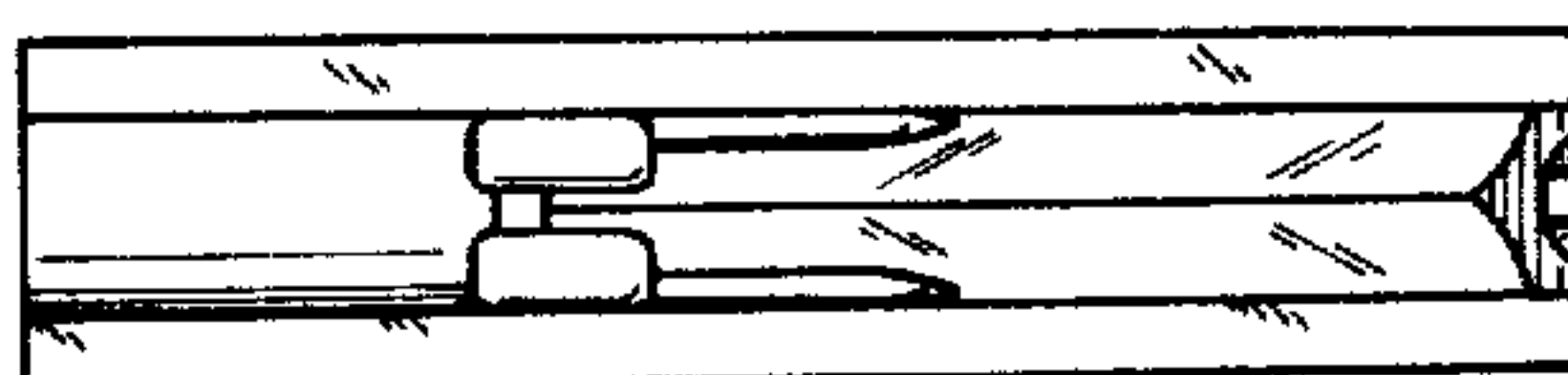


FIG. 6

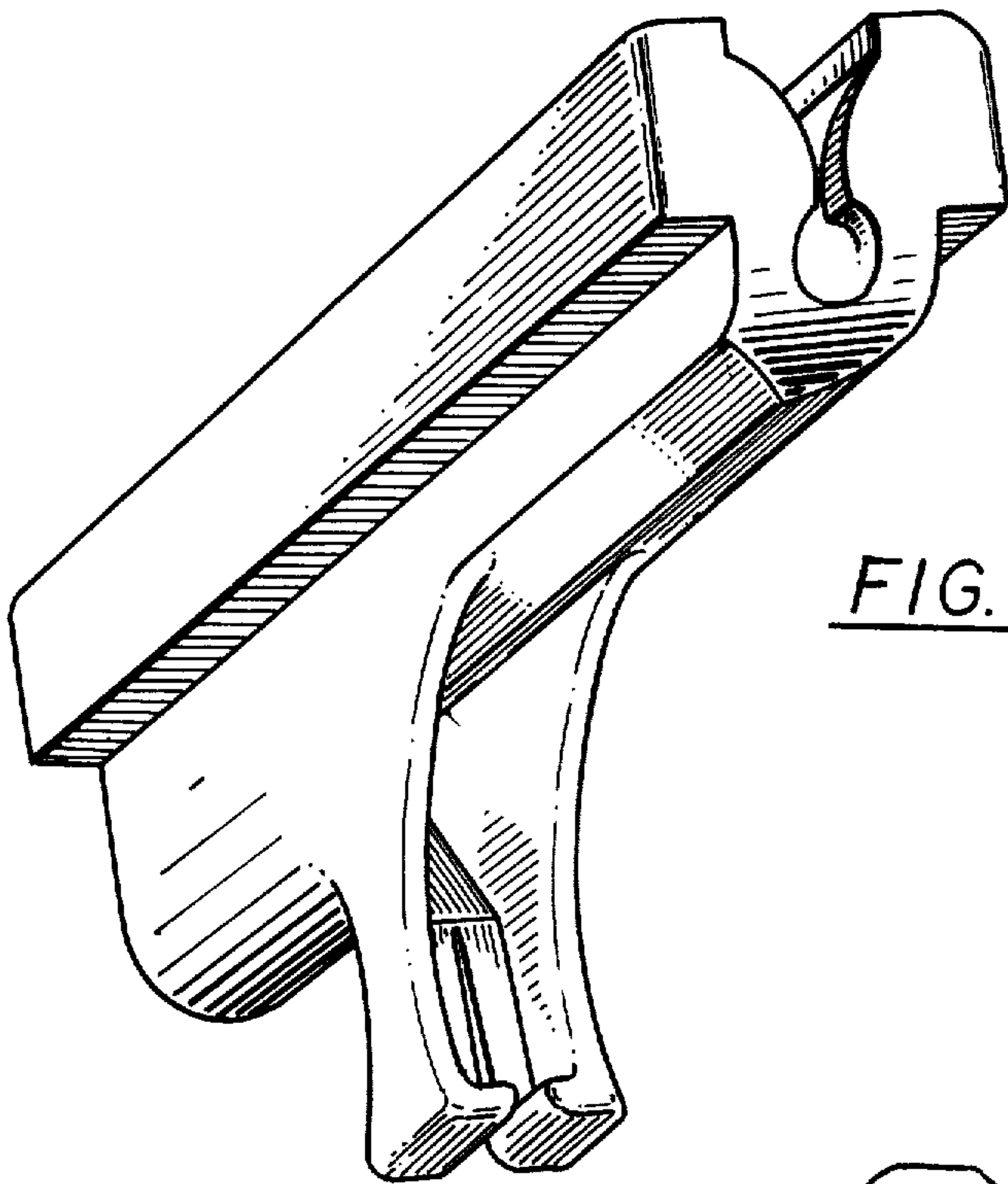


FIG. 7

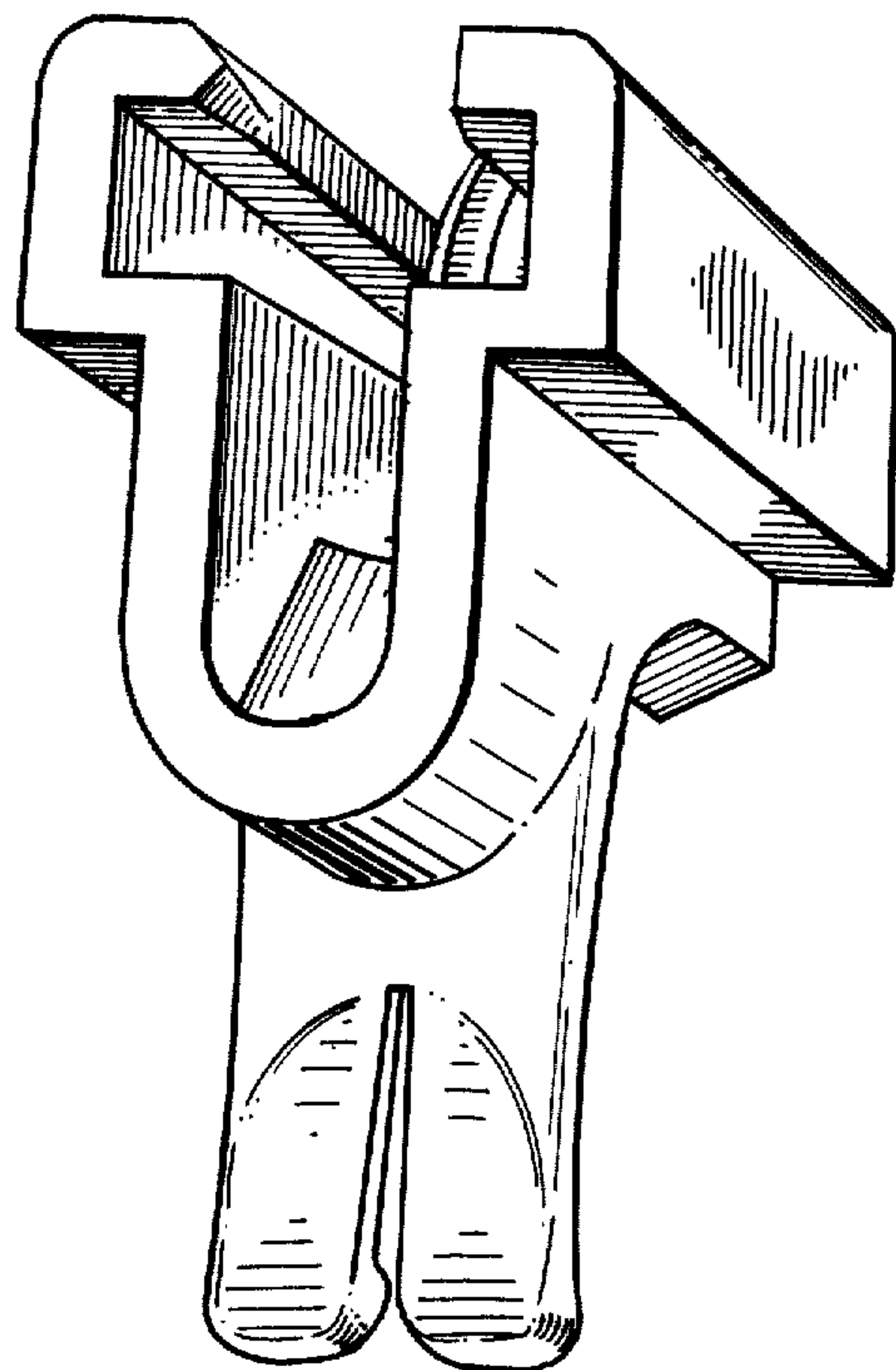


FIG. 8