

[54] OCCLUDATOR

[75] Inventor: Fumio Yogosawa, Tokyo, Japan

[73] Assignee: Sankin Kogyo Kabushiki Kaisha, Osaka, Japan

[\*\*] Term: 14 Years

[21] Appl. No.: 92,261

[22] Filed: Nov. 8, 1979

[30] Foreign Application Priority Data

May 11, 1979 [JP] Japan ..... 54-19045  
May 11, 1979 [JP] Japan ..... 54-57839

[51] Int. Cl. .... D24-99

[52] U.S. Cl. .... D24/16; D24/10

[58] Field of Search ..... D24/10, 16; 433/54, 433/57, 60, 63

[56] References Cited

U.S. PATENT DOCUMENTS

D. 258,838 4/1981 Lee ..... D24/10  
2,600,899 6/1952 McClain ..... 433/63  
2,716,815 9/1955 Ford ..... 433/60  
4,030,197 6/1977 Linck et al. .... 433/60  
4,158,915 6/1979 Stengel ..... 433/60

4,163,319 8/1979 Ouaknine ..... 433/60  
4,189,837 2/1980 Stele ..... 433/60

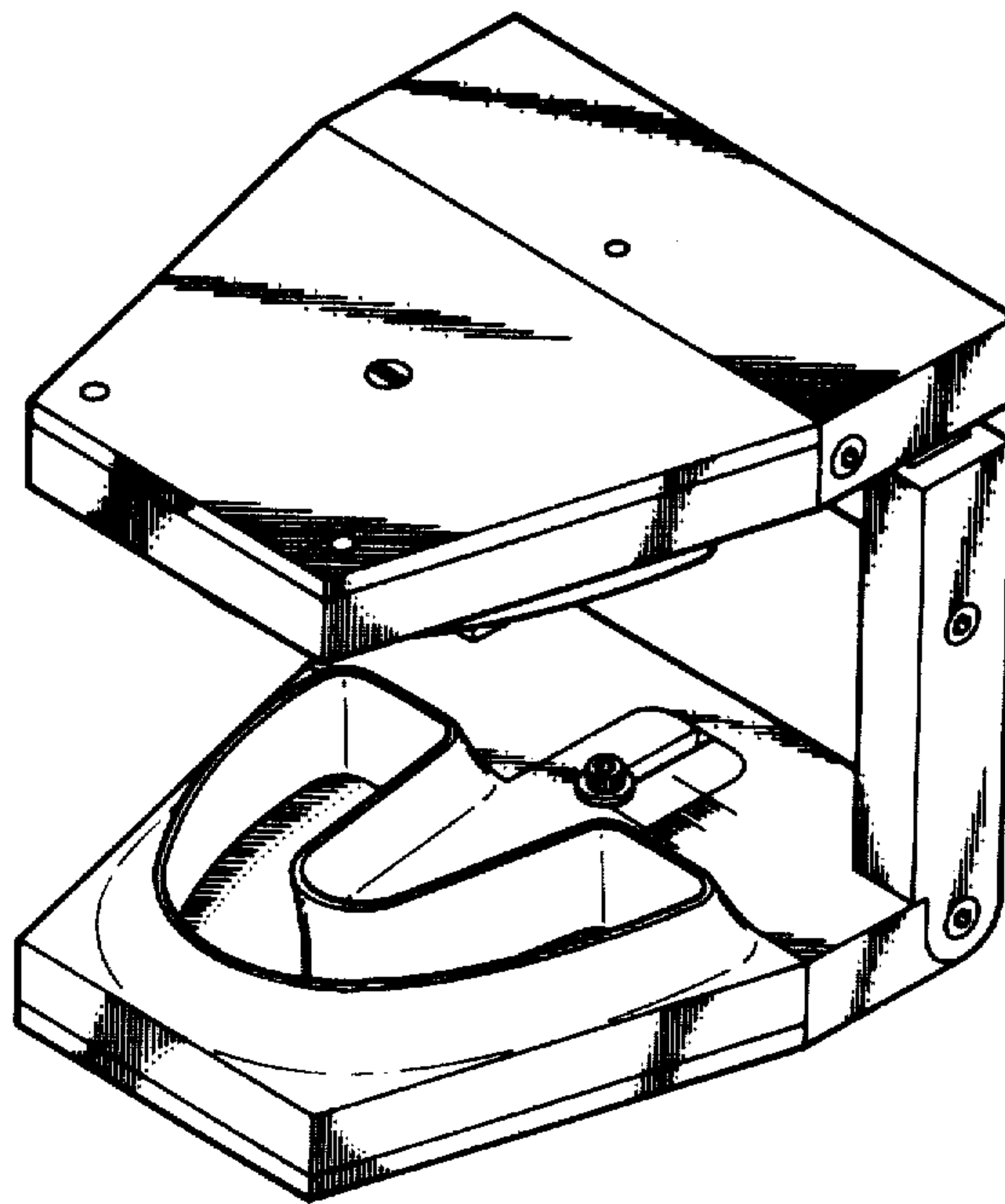
Primary Examiner—T. Tung  
Attorney, Agent, or Firm—Fleit & Jacobson

[57] CLAIM

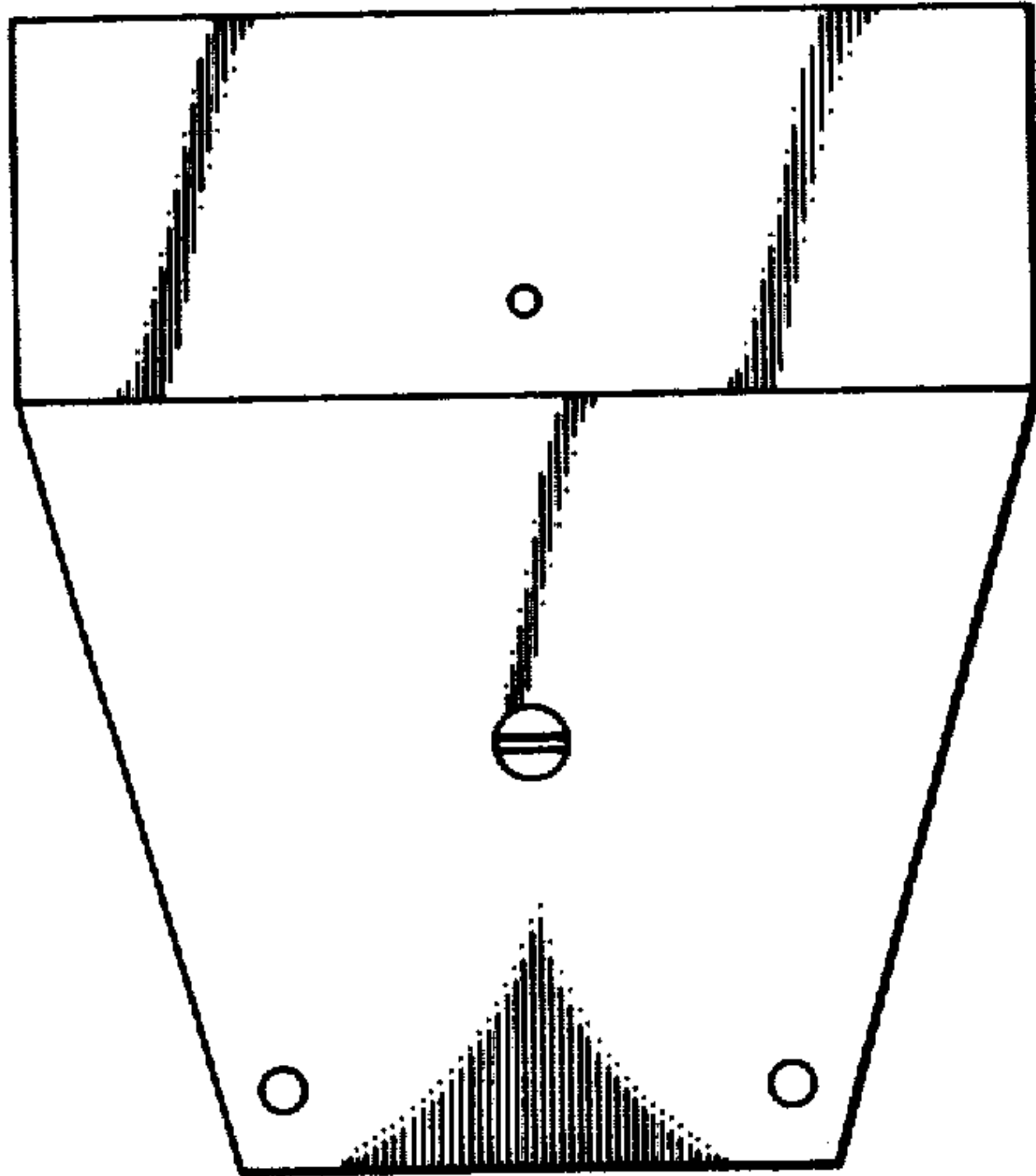
The ornamental design for occludator, substantially as described and shown.

DESCRIPTION

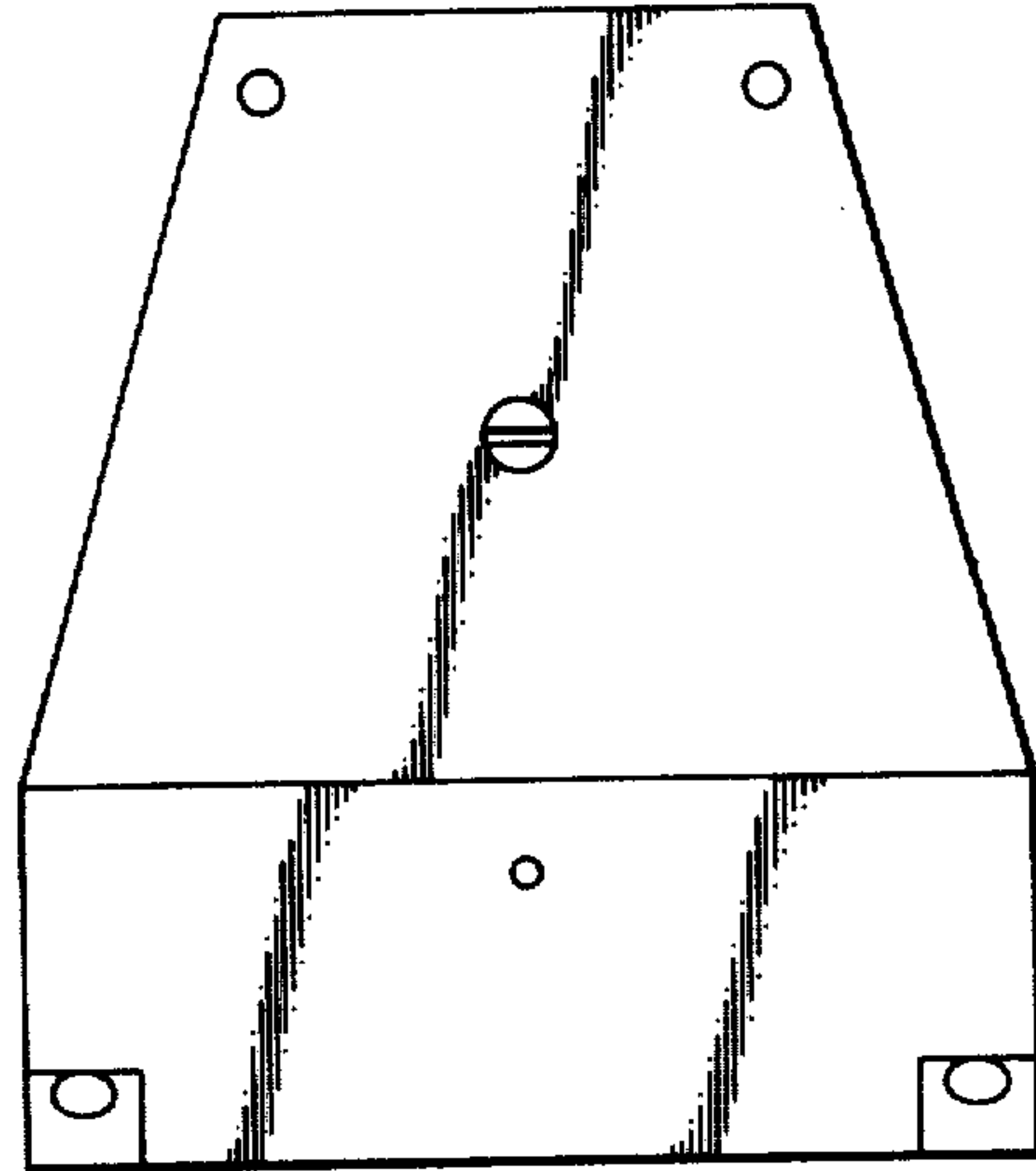
FIG. 1 is a top plan view of the inventive occludator; FIG. 2 is a bottom plan view of the occludator; FIG. 3 is a front view of the occludator; FIG. 4 is a right side view of the occludator; FIG. 5 is a rear view of the occludator; FIG. 6 is a sectioned view of the occludator taken along the line 6—6 of FIG. 3; FIG. 7 is a perspective view of the occludator; FIG. 8 is a perspective view of the occludator showing an opened upper element; FIG. 9 is a perspective view of the occludator showing a middle element laid flat; and FIG. 10 is a perspective view of the occludator showing upper, middle and lower elements laid flat. The left side of the occludator which is not shown is a mirror image to the right side which is shown in FIG. 4.



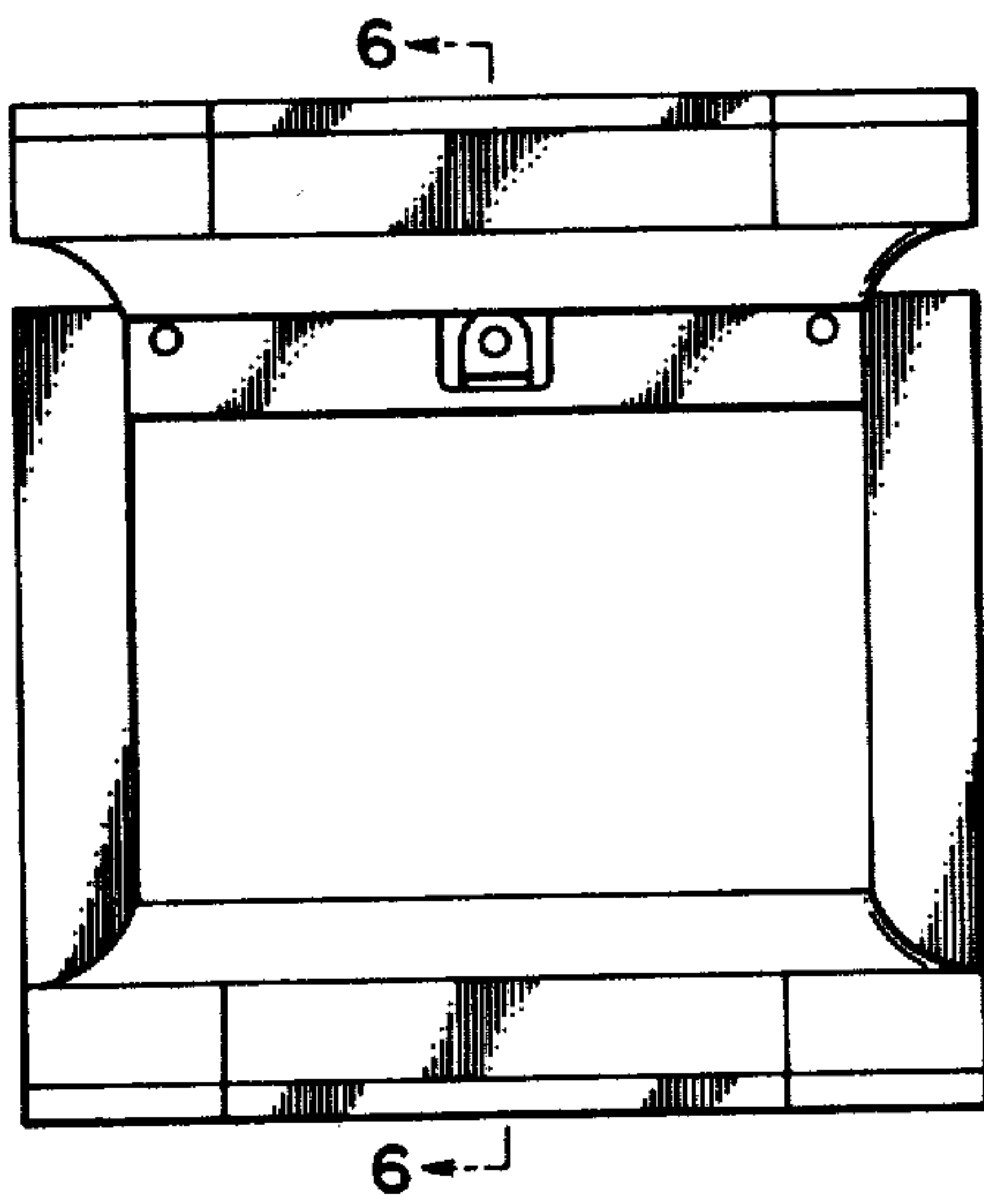
**FIG. 1**



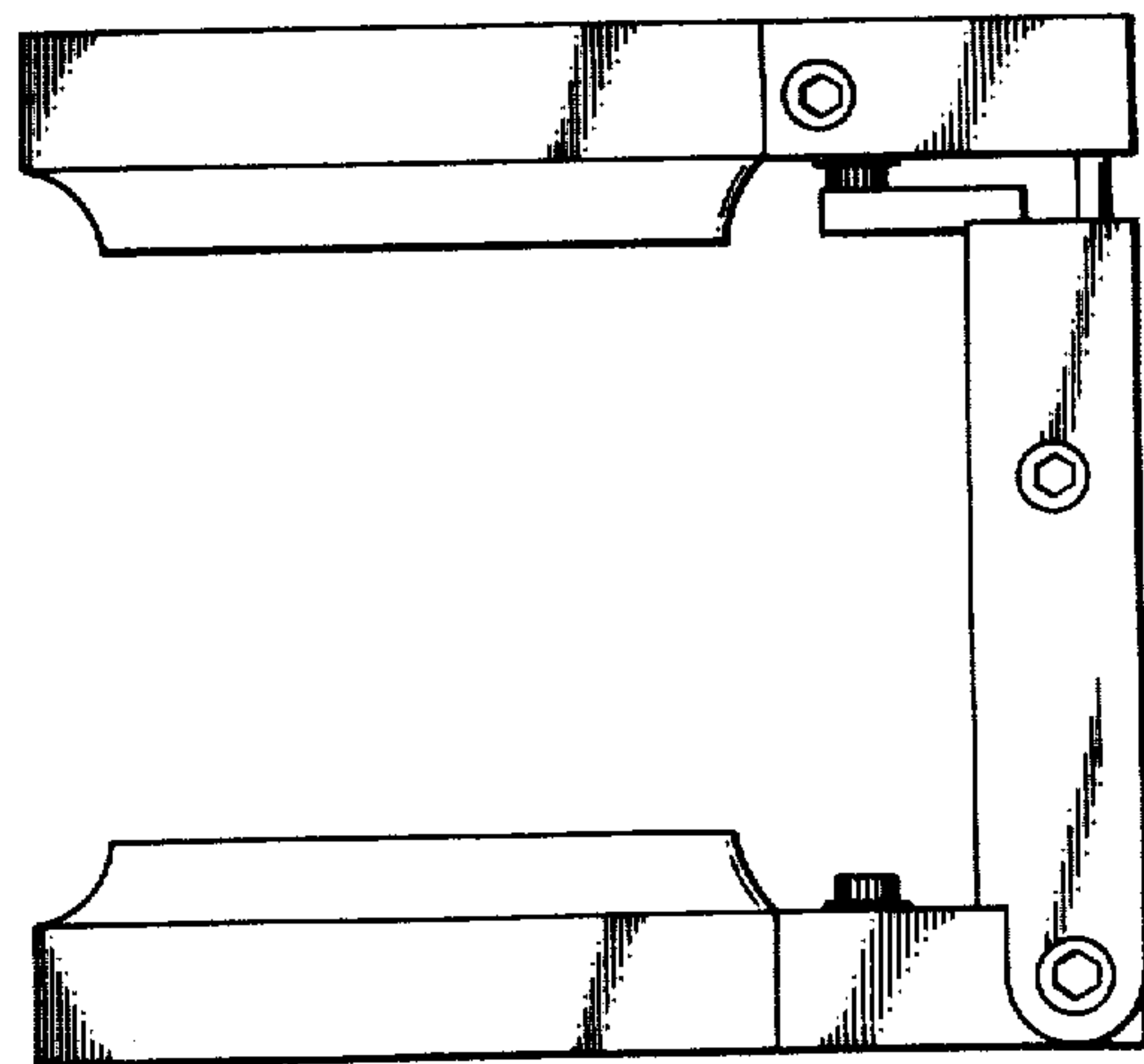
**FIG. 2**



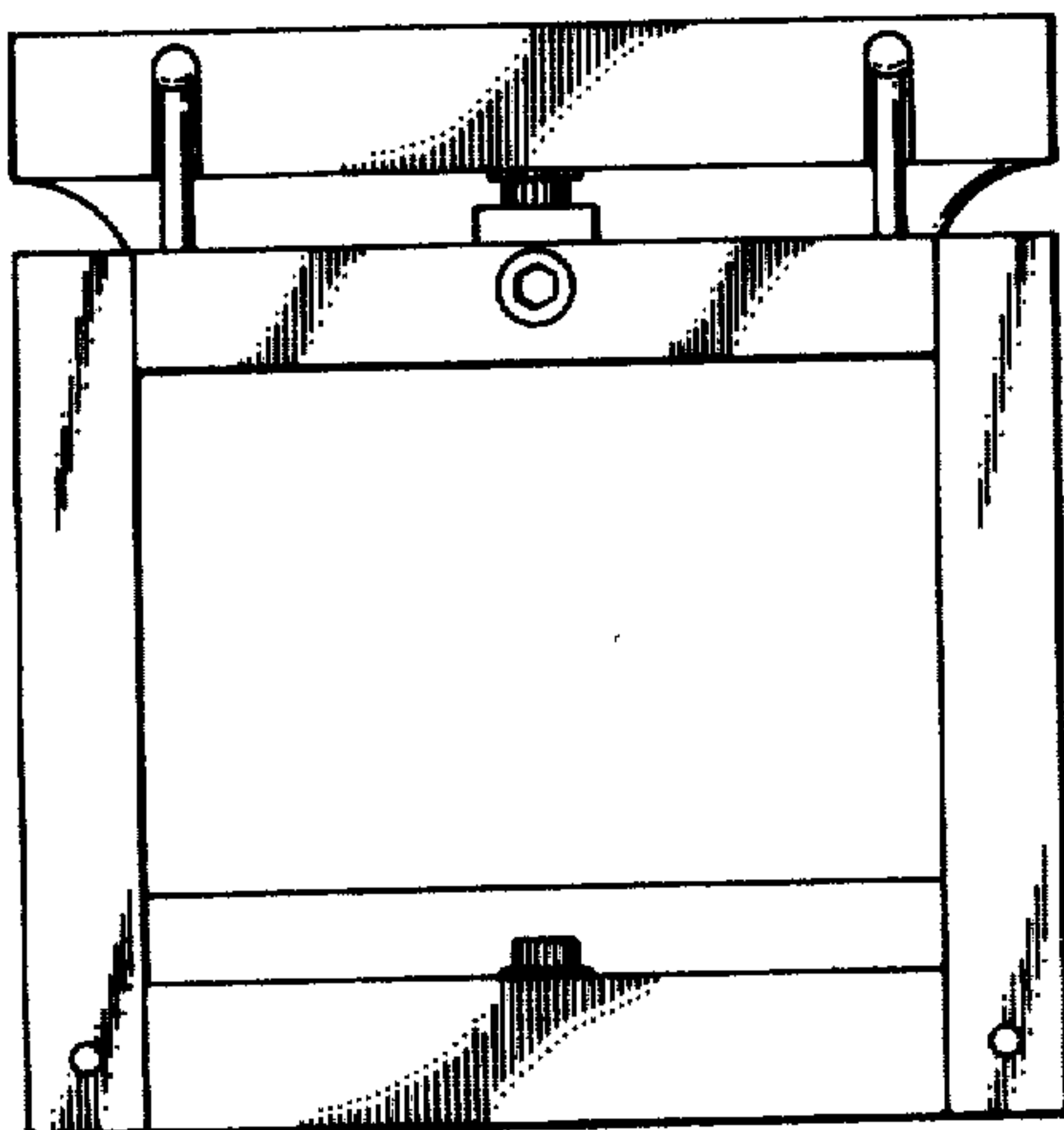
**FIG. 3**



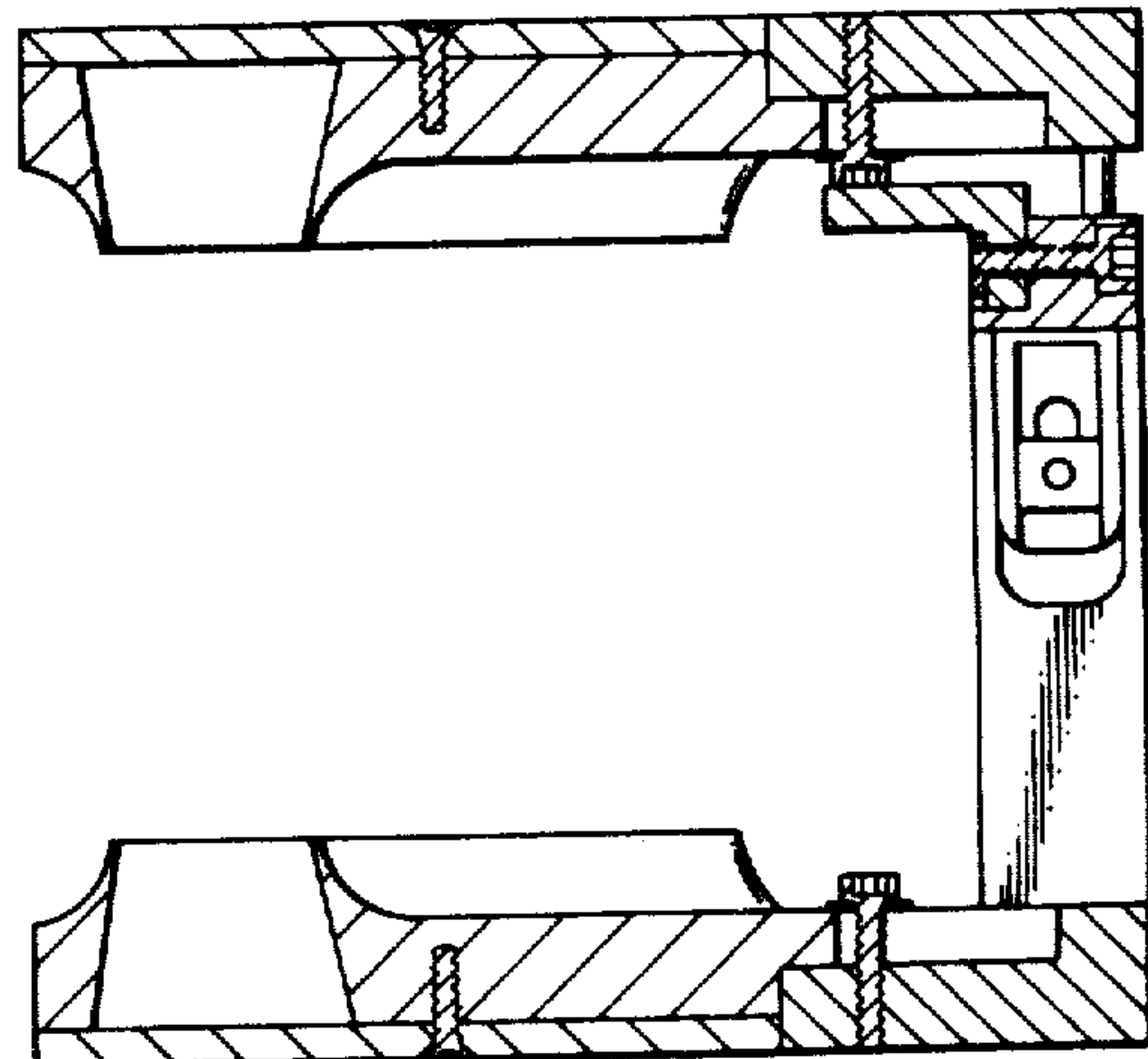
**FIG. 4**



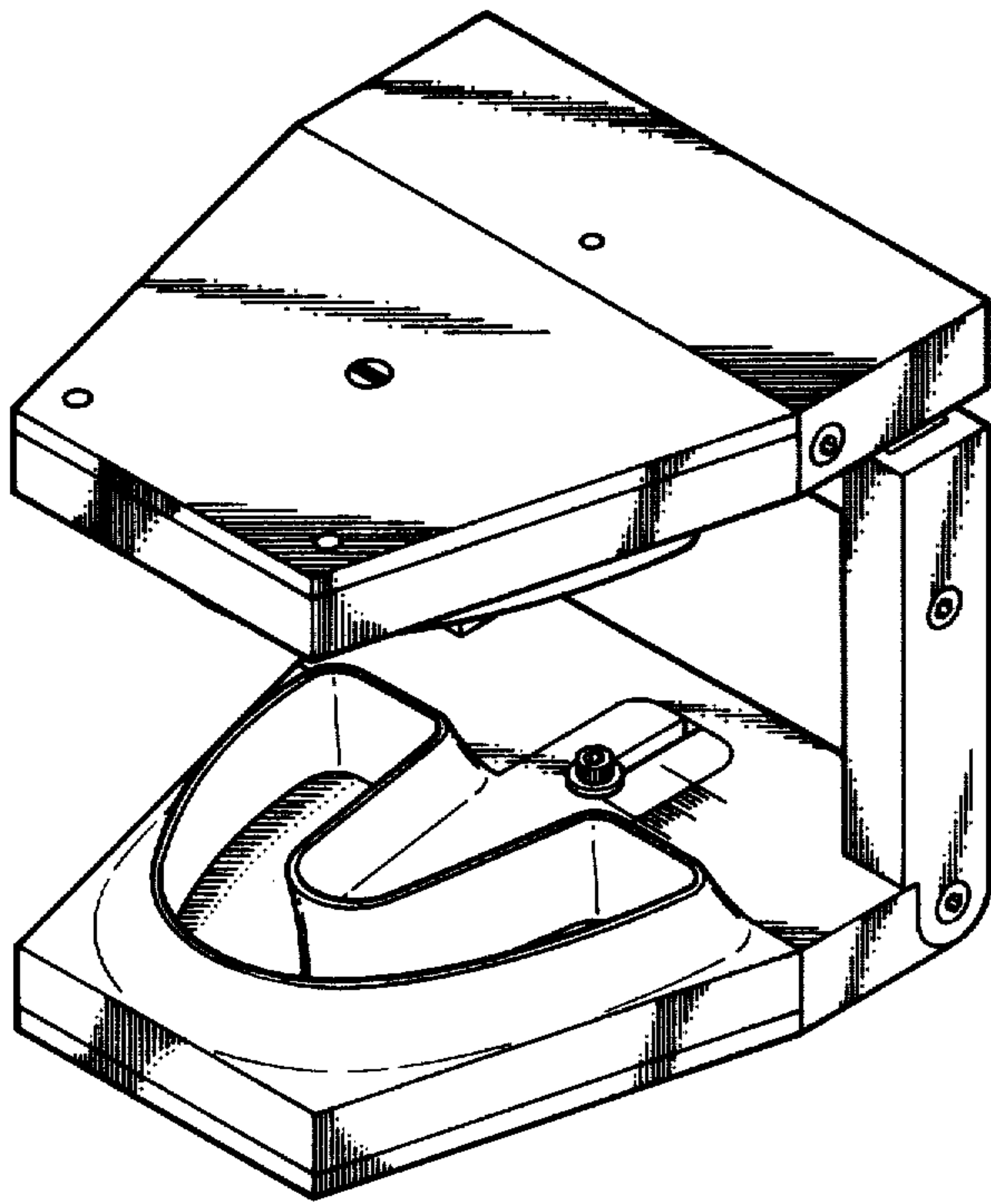
**FIG. 5**



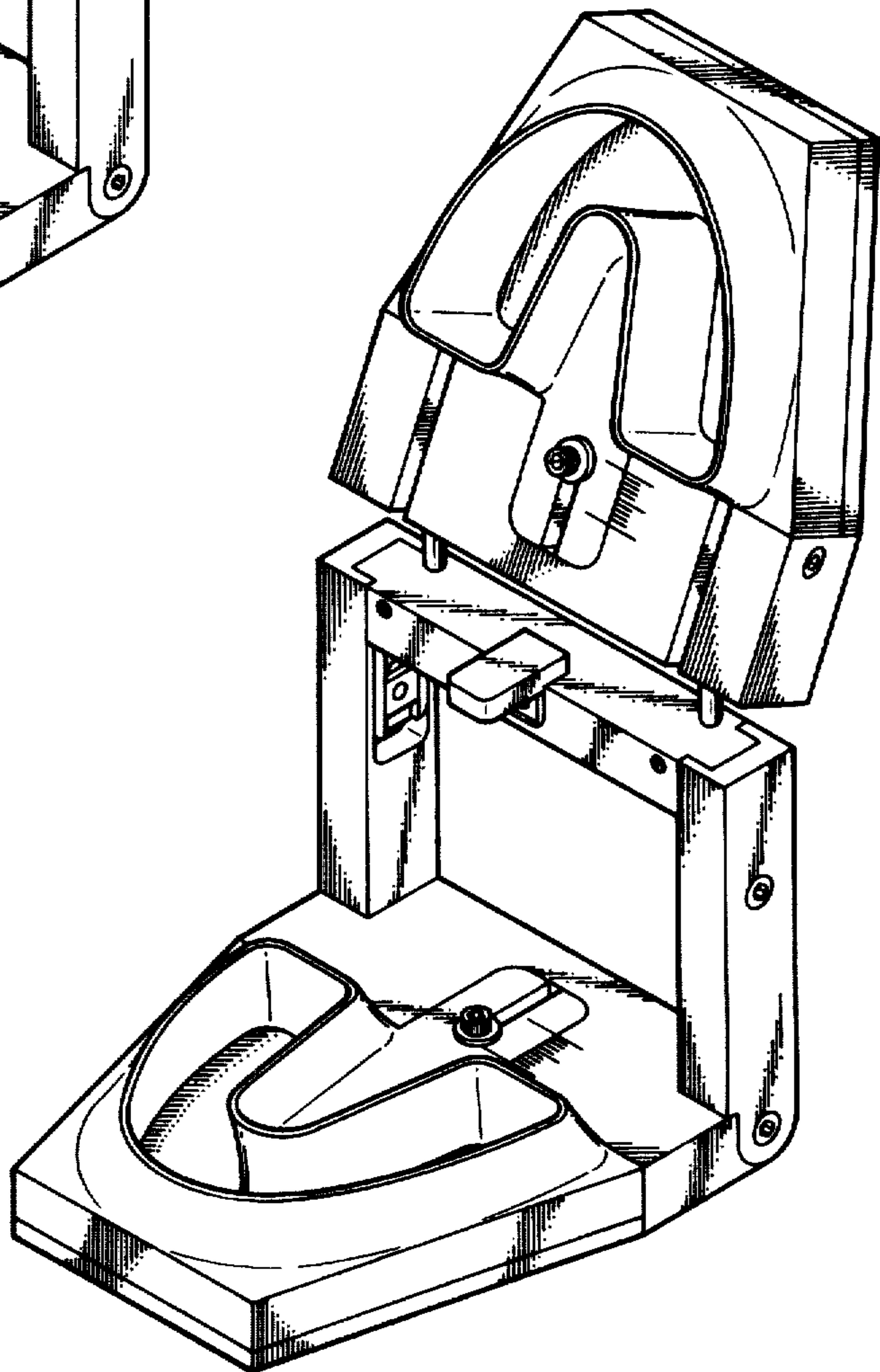
**FIG. 6**



**FIG. 7**

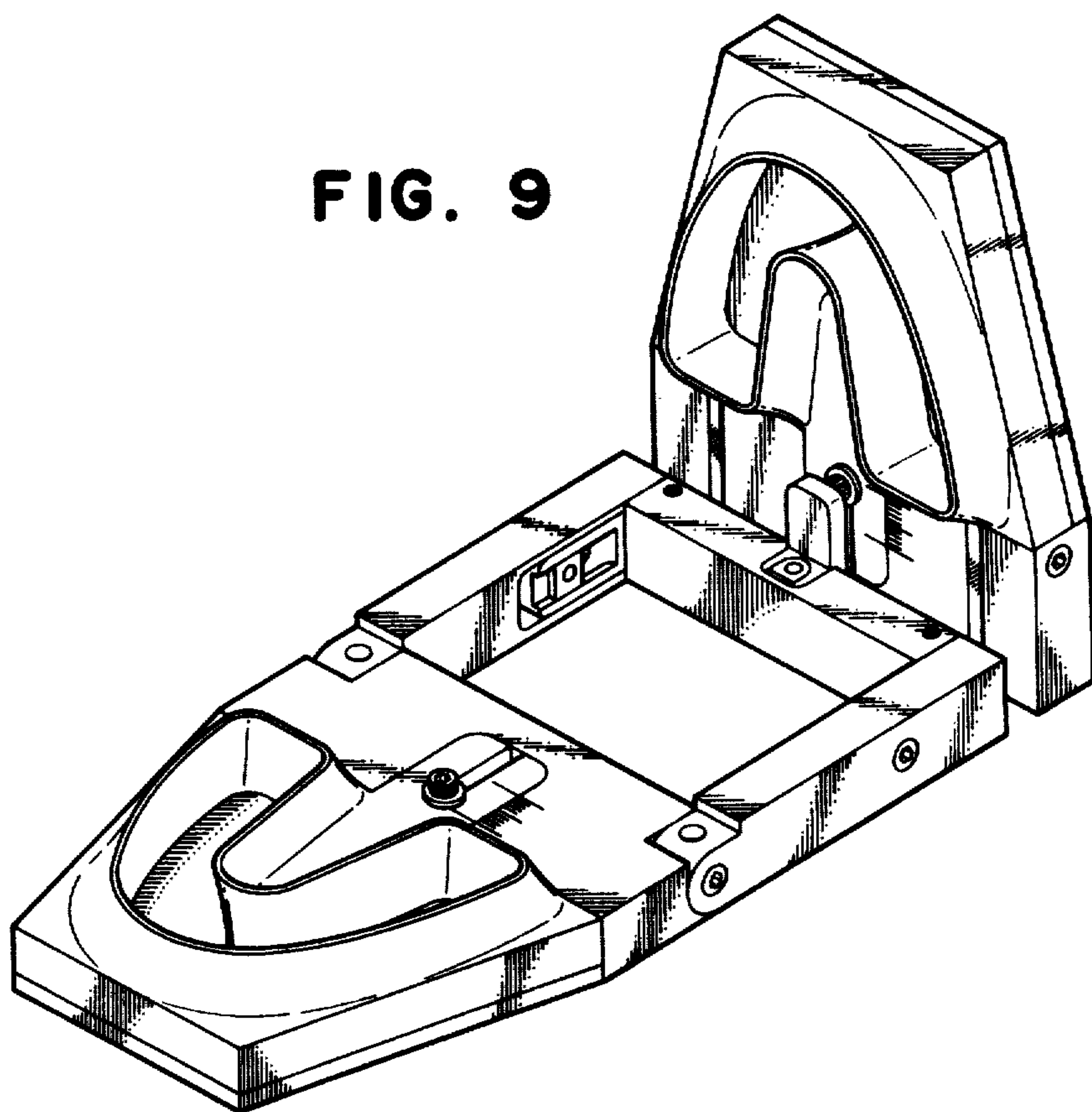


**FIG. 8**





**FIG. 9**



**FIG. 10**

