

[54] BASE FOR A RIFLE TELESCOPE MOUNT

3,724,800 4/1973 Rubin et al. 248/205 R

[76] Inventor: Daniel L. Bechtel, P.O. Box 11281, Fort Worth, Tex. 76109

Primary Examiner—A. Hugo Word
Attorney, Agent, or Firm—Charles W. McHugh

[**] Term: 14 Years

[57] CLAIM

[21] Appl. No.: 178,730

The ornamental design for a "base for a rifle telescope mount", as shown and described.

[22] Filed: Aug. 18, 1980

DESCRIPTION

[51] Int. Cl. D22—01

[52] U.S. Cl. D22/7

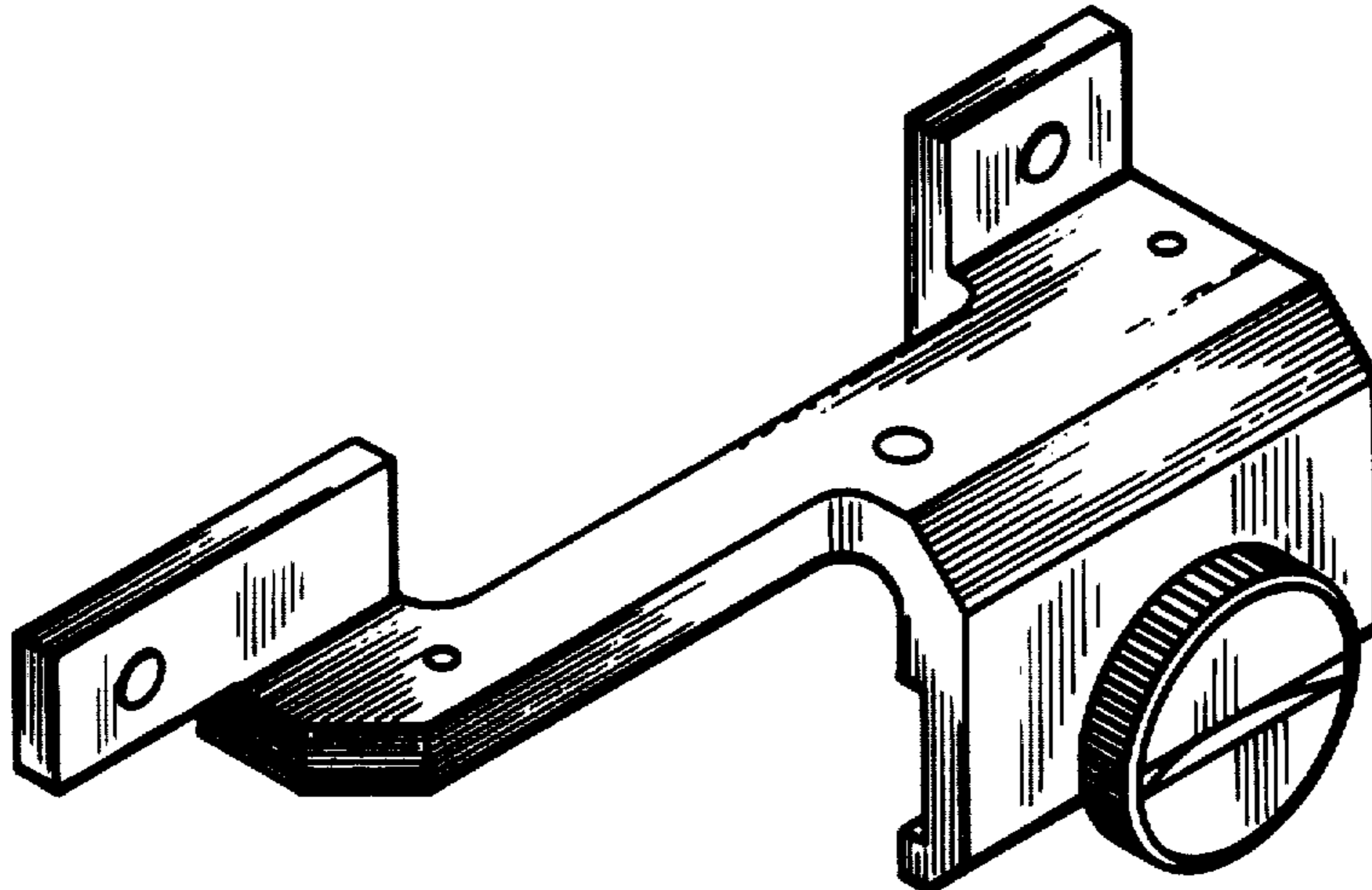
[58] Field of Search 248/205 R, 223.4, 226.1; D22/7

FIG. 1 is a perspective view of the "Base for a Rifle Telescope Mount", showing my new design;
FIG. 2 is a top view thereof;
FIG. 3 is a side elevational view (which shows the "outer" side of the base);
FIG. 4 is a bottom view thereof;
FIG. 5 is a side elevational view (which shows the side that lies immediately next to the rifle);
FIG. 6 is a front elevational view thereof; and
FIG. 7 is a rear elevational view thereof.

[56] References Cited

U.S. PATENT DOCUMENTS

3,366,358 1/1968 Luning 248/205 R
3,491,975 1/1970 Weaver 248/205 R



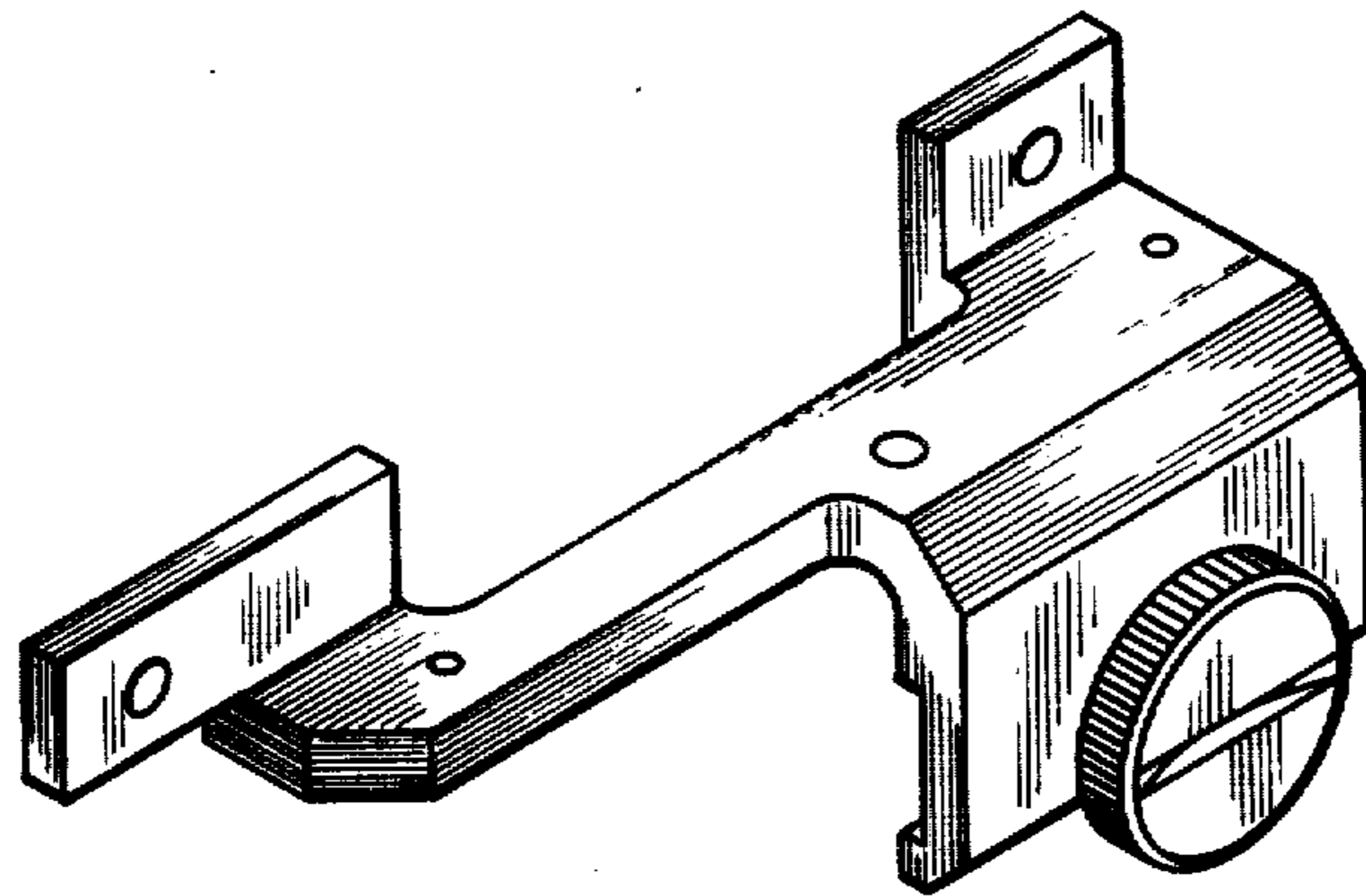


FIG. 1

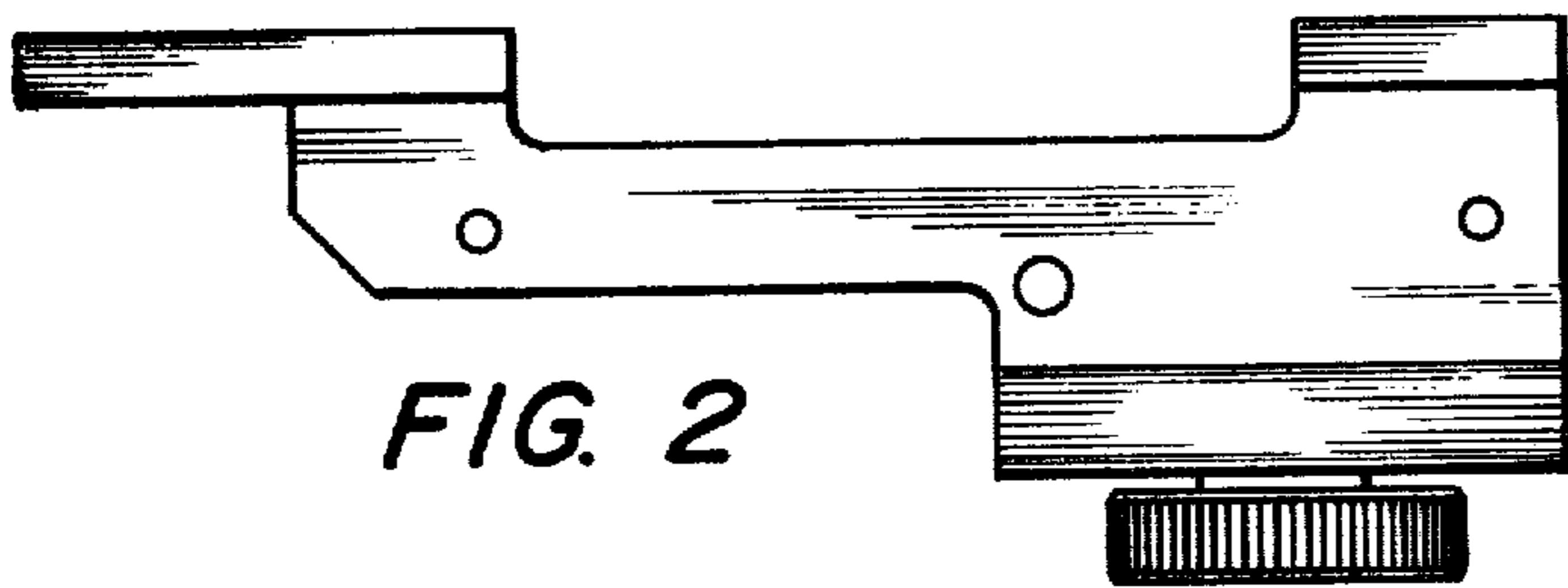


FIG. 2

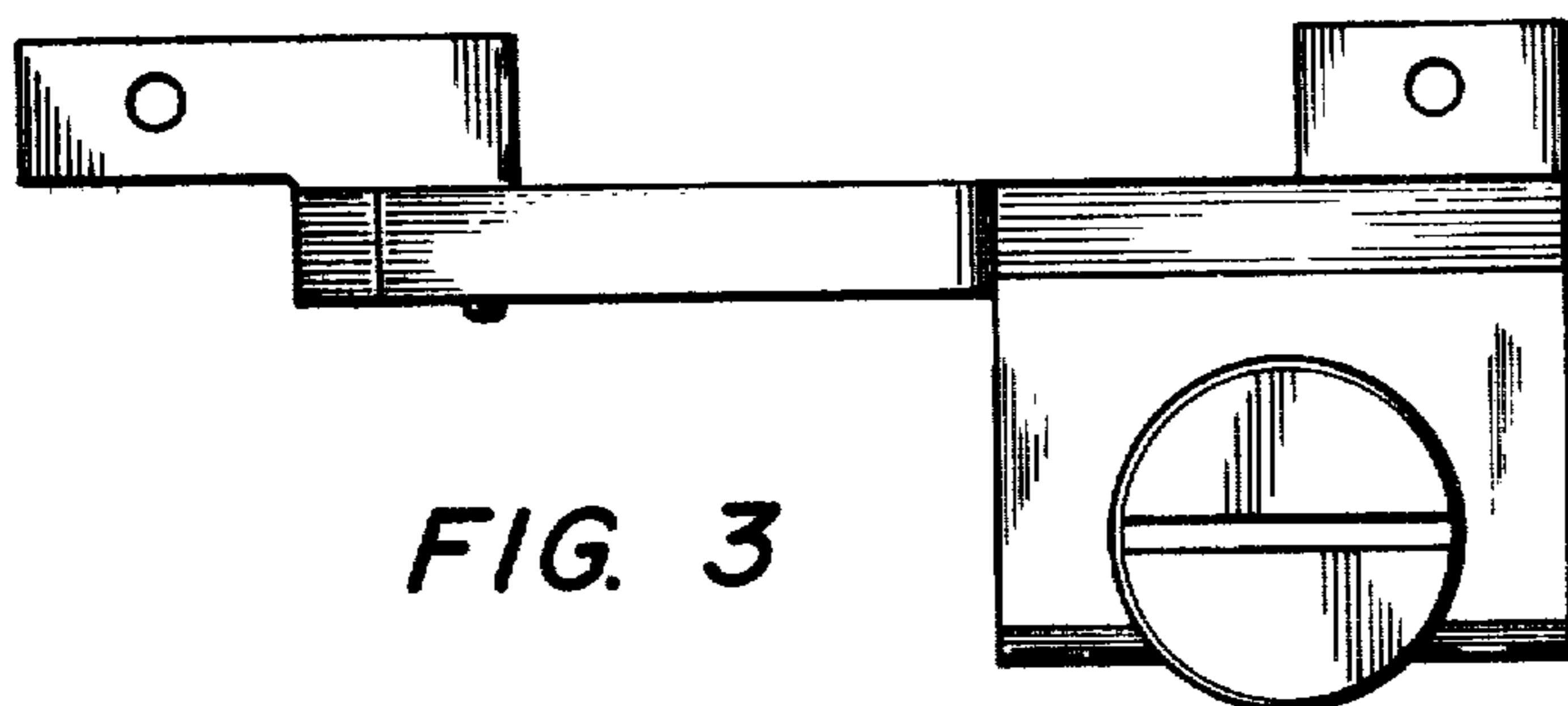


FIG. 3

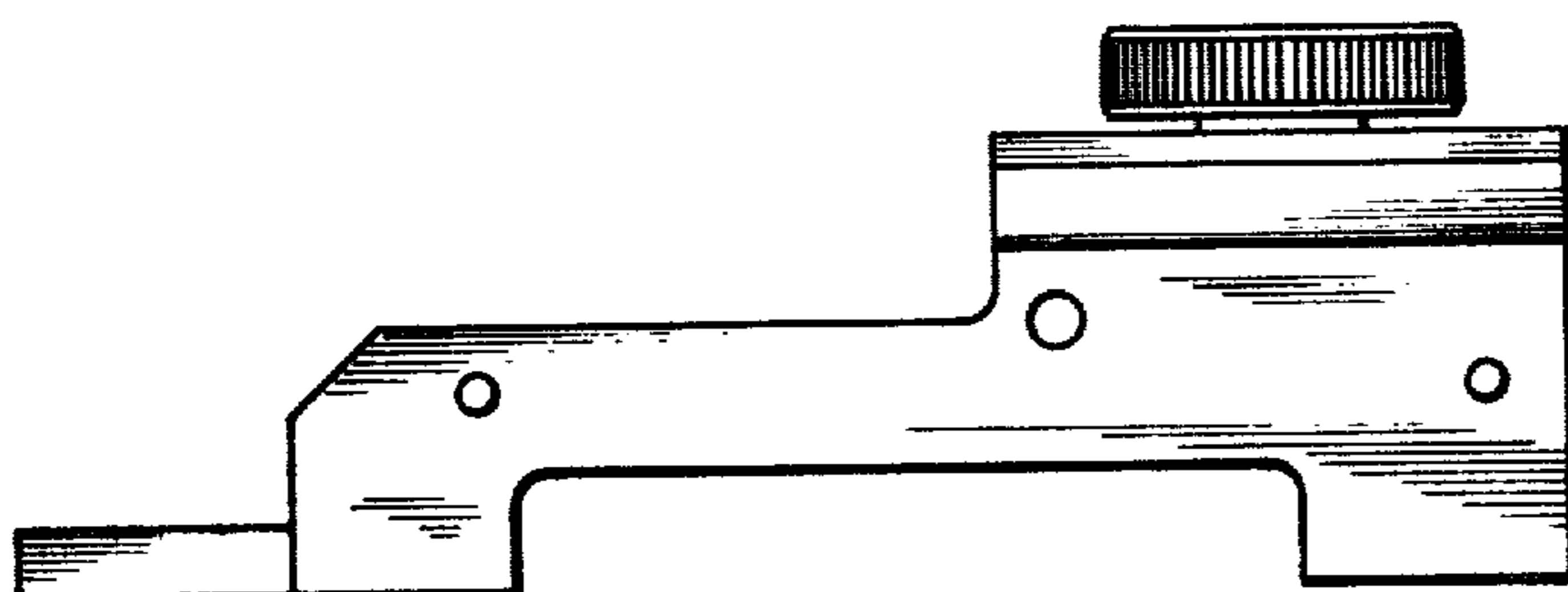


FIG. 4

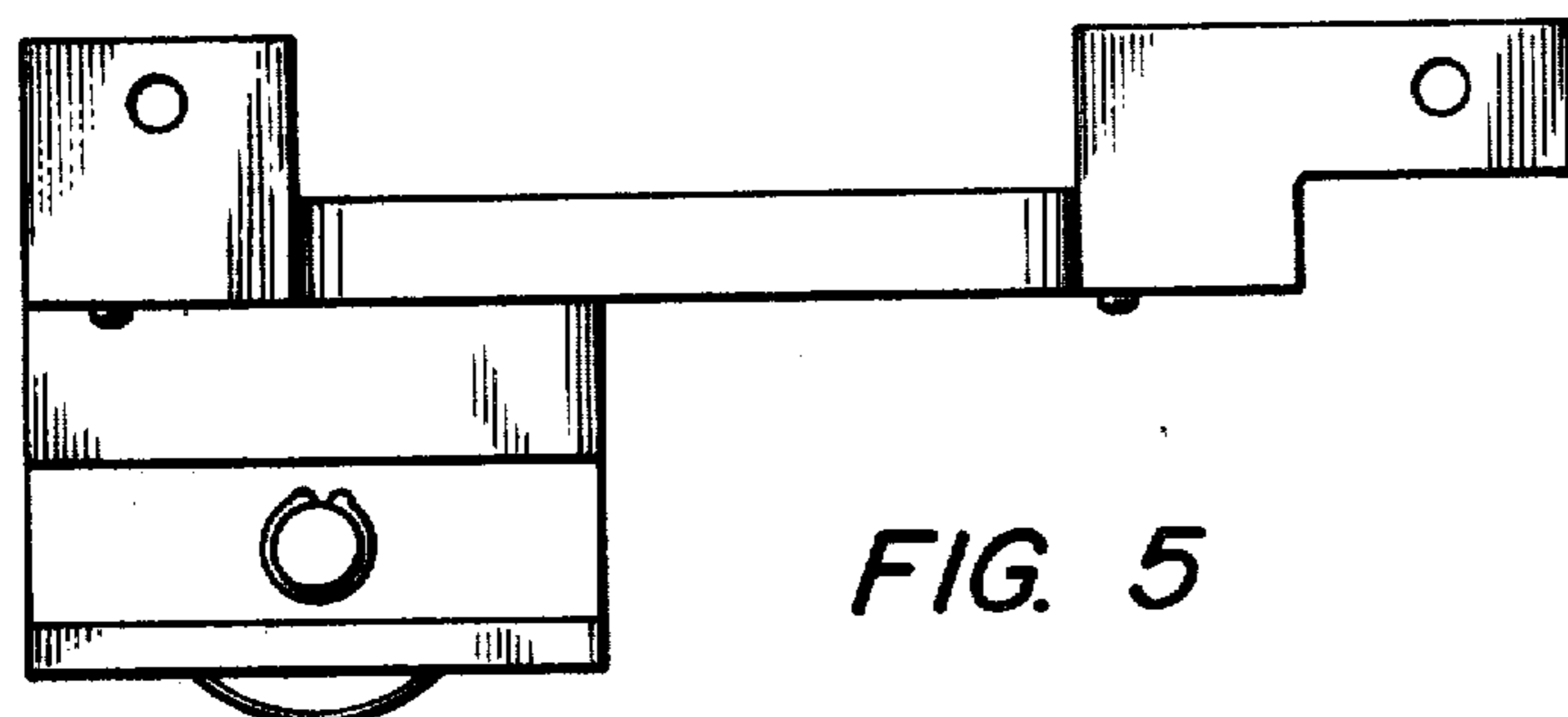


FIG. 5

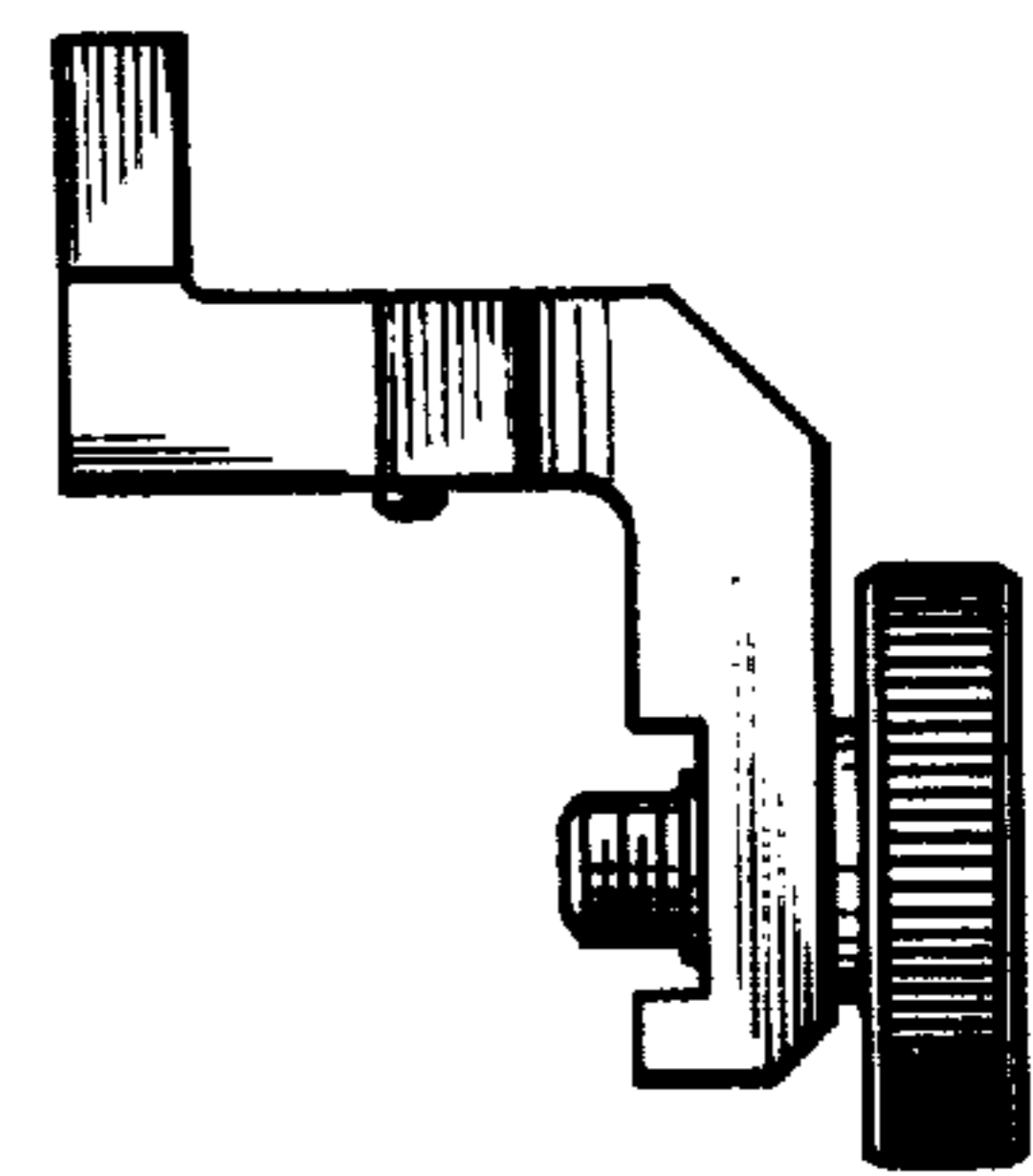


FIG. 6

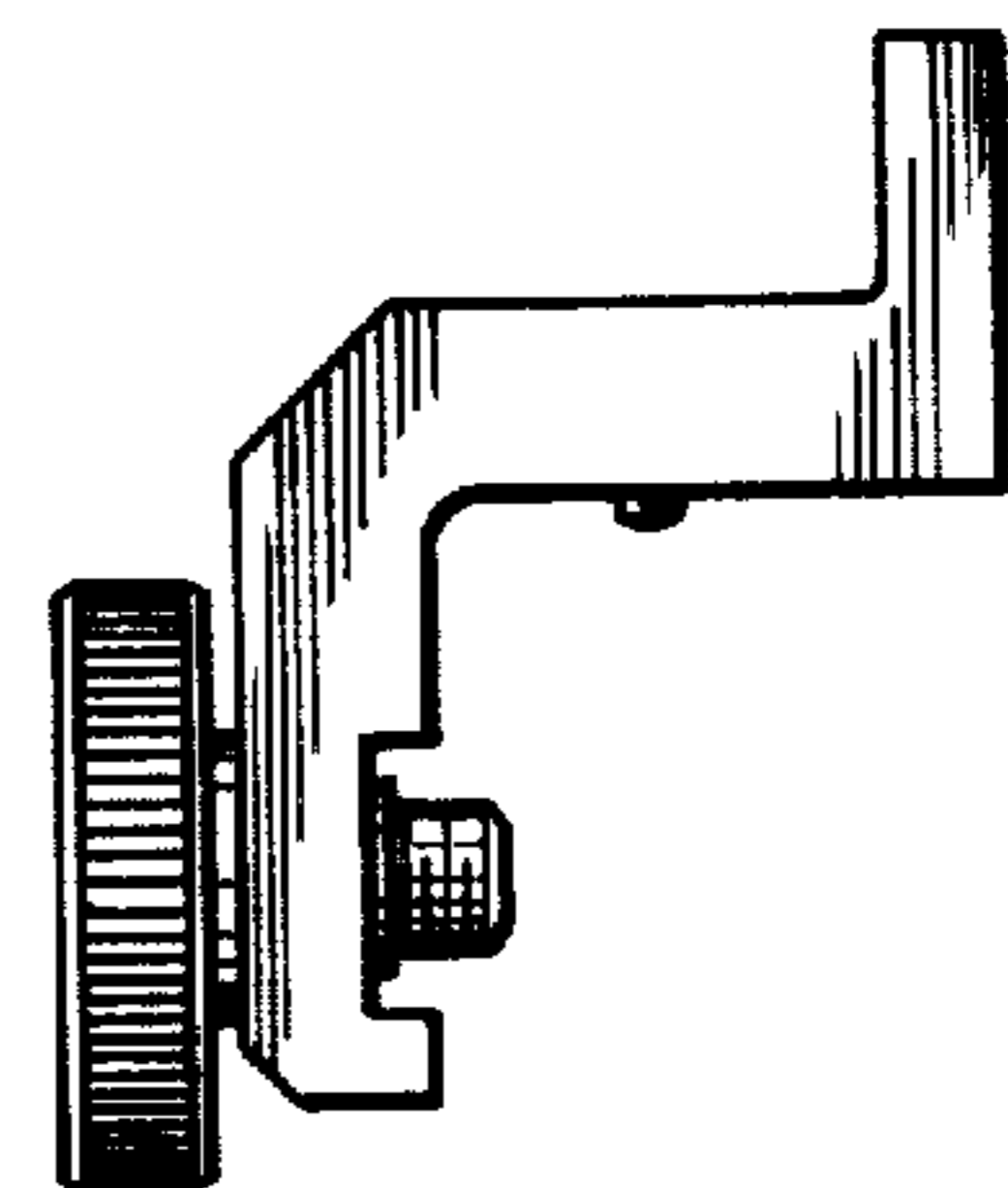


FIG. 7