

[54] TOY AIRPLANE

[56] References Cited

[76] Inventor: Robert R. Schoch, 517 Otteray Dr., High Point, N.C. 27260

U.S. PATENT DOCUMENTS

D. 58,108	6/1921	Purcell	D21/90
D. 224,660	8/1972	Posner	D21/89
1,366,164	1/1921	Cornish	46/78
3,581,432	6/1971	Bass	D21/90

[**] Term: 14 Years

Primary Examiner—Charles A. Rademaker

[21] Appl. No.: 919,392

[57] CLAIM

The ornamental design for a toy airplane, as shown and described.

[22] Filed: Jun. 26, 1978

DESCRIPTION

[51] Int. Cl. D21—01

[52] U.S. Cl. D21/89

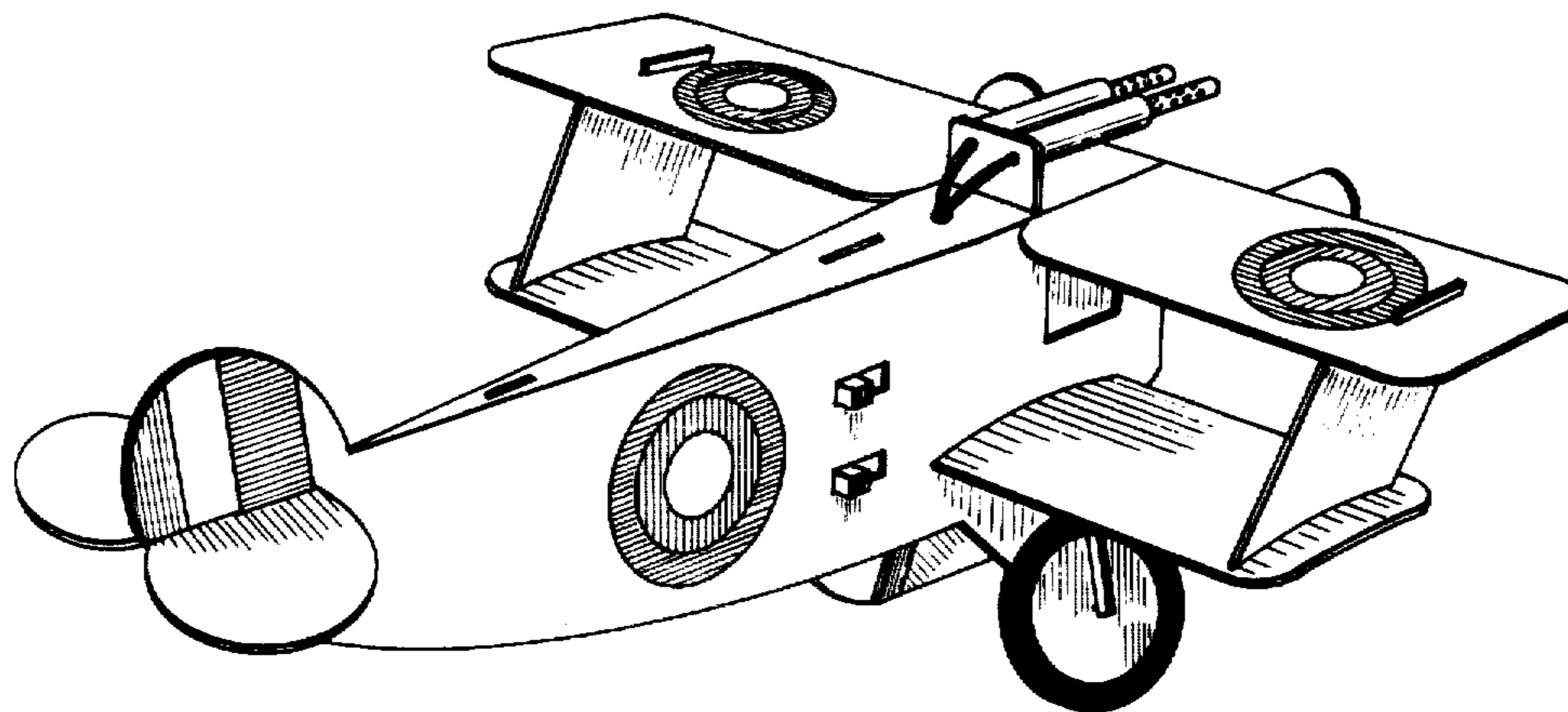
[58] Field of Search D21/87, 88, 89, 90, D21/91; 46/74, 76 A, 76 R, 77, 78, 79, 80, 81; D12/71; 244/153 R, 154, 155 R

FIG. 1 is a rear perspective view of a toy airplane showing my design;

FIG. 2 is a left side elevational view thereof shown on a slightly reduced scale;

FIG. 3 is a front elevational view thereof; and

FIG. 4 is a bottom plan view thereof.



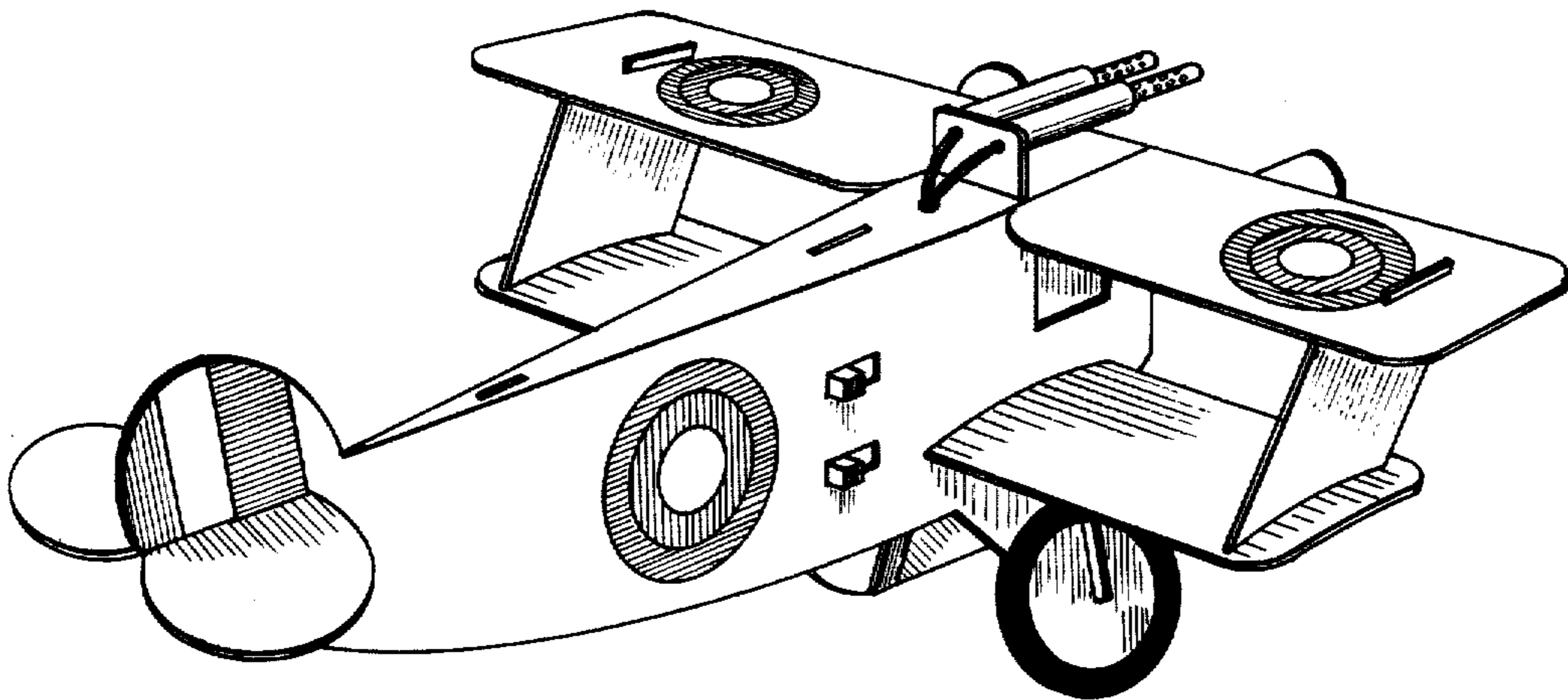


FIG. 1

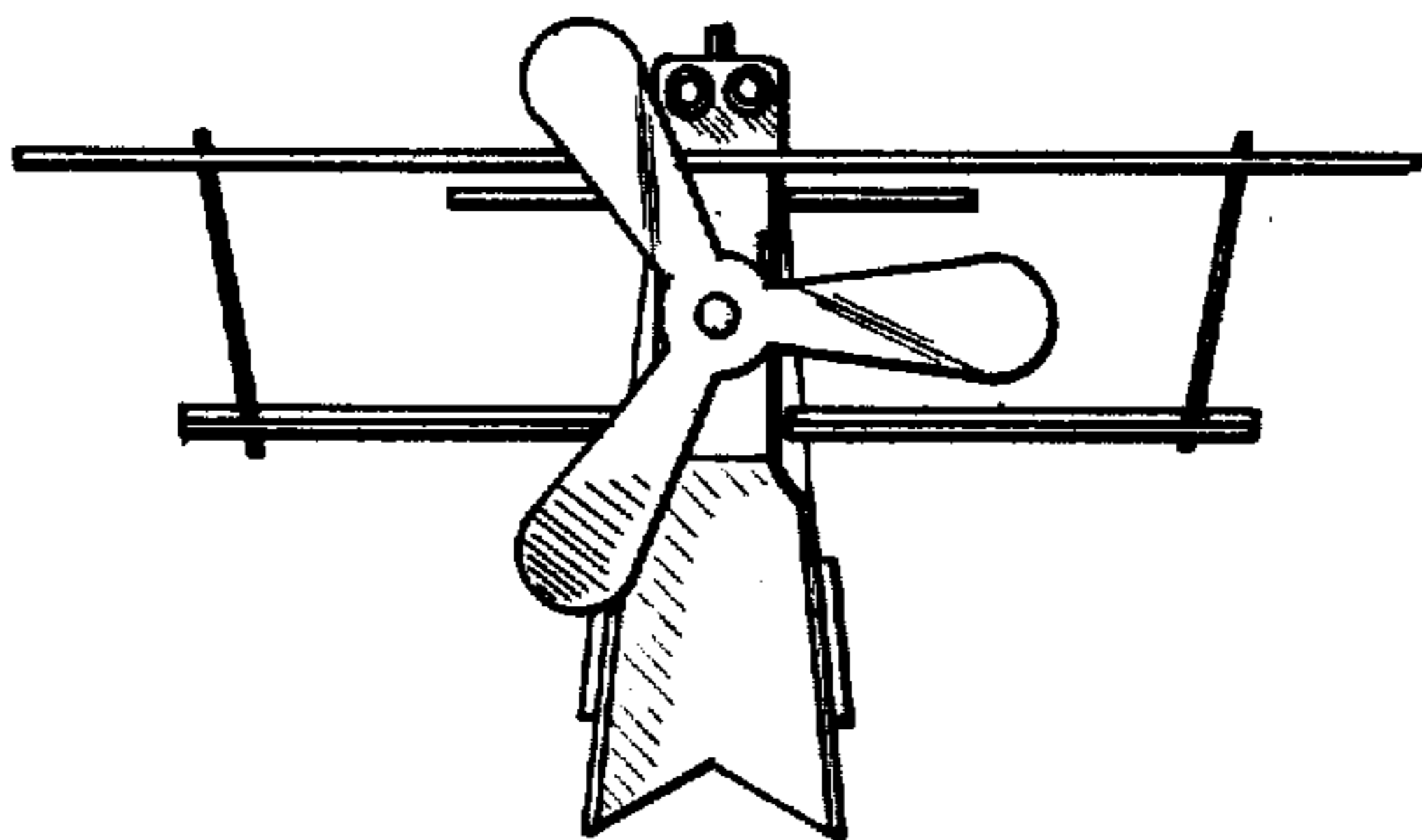


FIG. 3

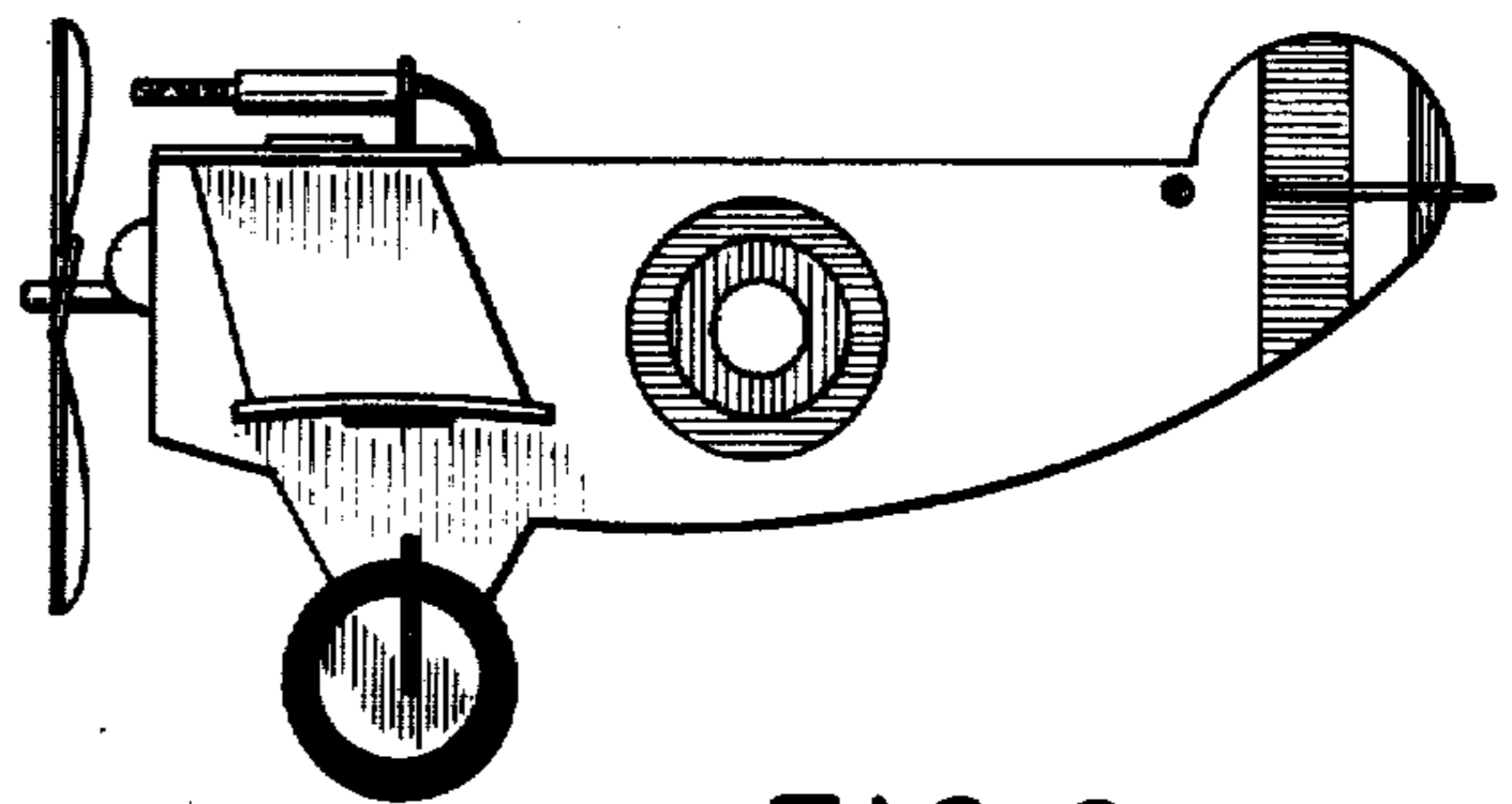


FIG. 2

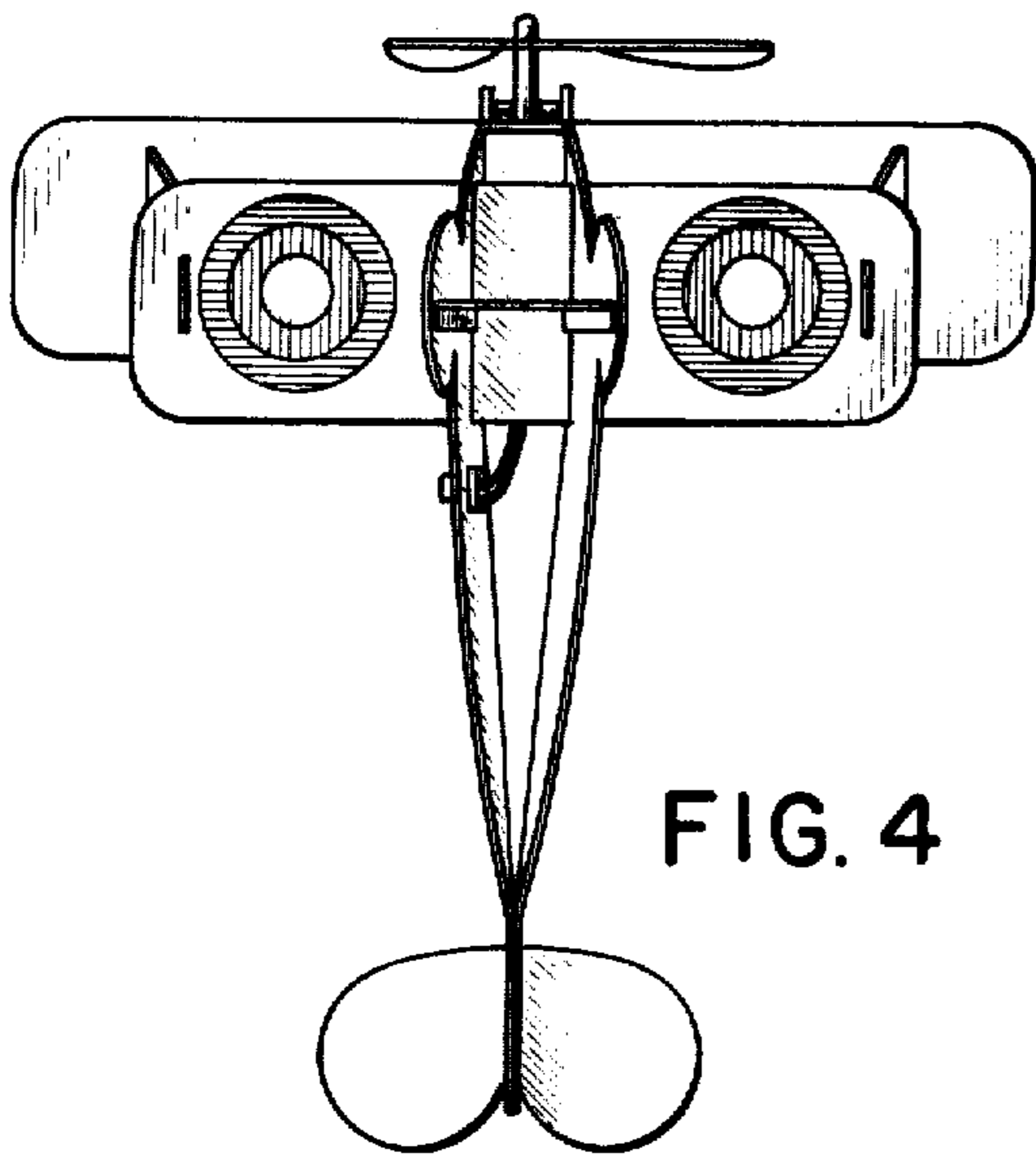


FIG. 4