

[54] HOUSING FOR AMUSEMENT WATER TOY

[56]

References Cited

U.S. PATENT DOCUMENTS

[75] Inventors: Masahiko Hamaguchi; Yasuhiro Sato, both of Tokyo, Japan

D. 251,312	3/1979	Matsumoto	D21/59
3,464,132	9/1969	Matisse	273/1 L
4,006,902	2/1977	Khawand	273/1 L
4,223,471	9/1980	Greenberg	46/91

[73] Assignee: Tomy Kogyo Company, Inc., Tokyo, Japan

Primary Examiner—Charles A. Rademaker
Attorney, Agent, or Firm—K. H. Boswell; Edward D. O'Brian

[**] Term: 14 Years

[57] CLAIM

[21] Appl. No.: 190,559

The ornamental design for a housing for amusement water toy, substantially as shown and described.

[22] Filed: Sep. 25, 1980

DESCRIPTION

[51] Int. Cl. D21-01

FIG. 1 is a front perspective view of a housing for amusement water toy showing our new design;

[52] U.S. Cl. D21/59

FIG. 2 is a bottom plan view thereof;

[58] Field of Search D21/59; 273/1 L, 8 H; 46/91, 92

FIG. 3 is a rear elevational view thereof; and,

FIG. 4 is a right side elevational view thereof.

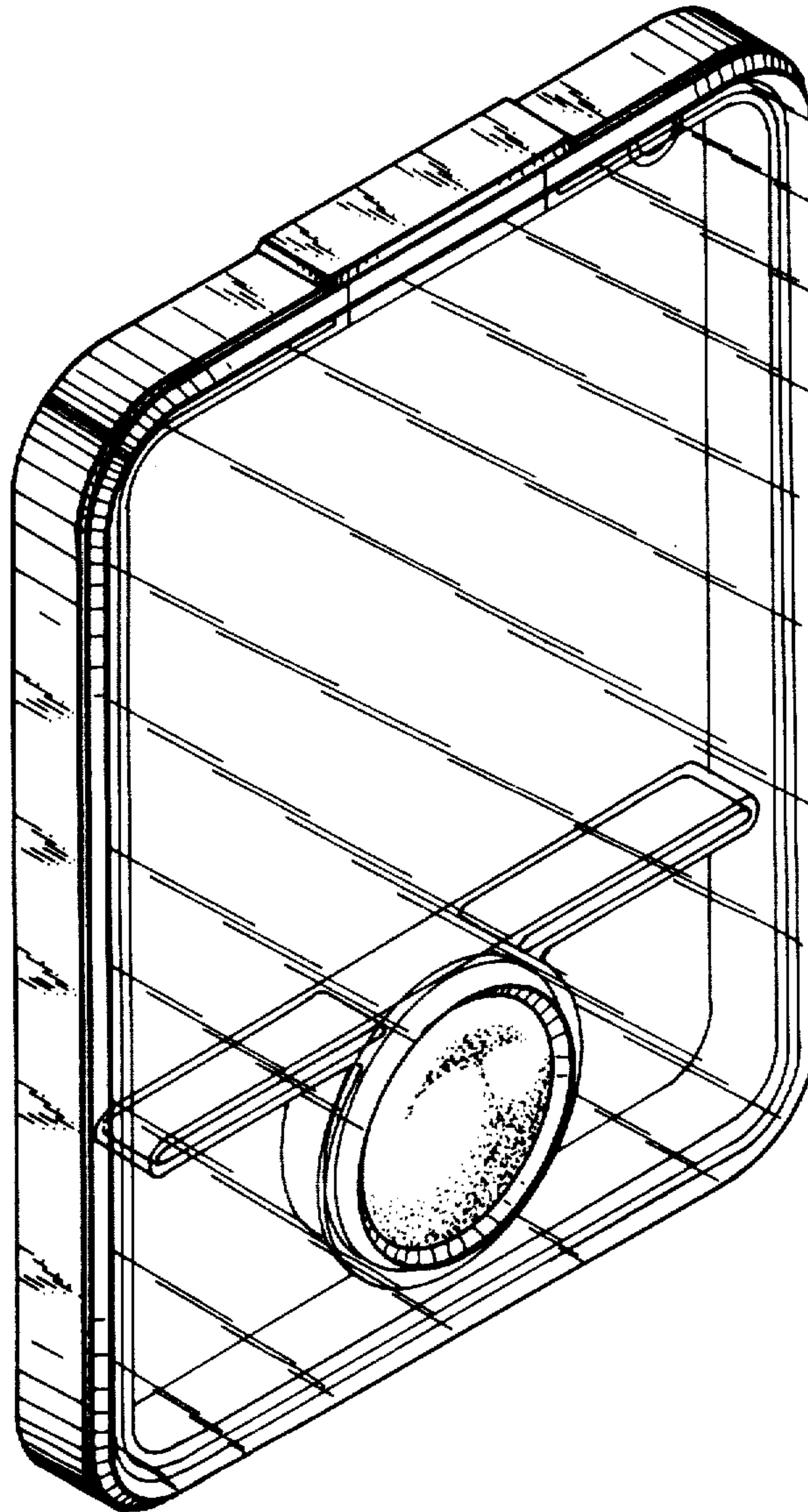


Fig. 1

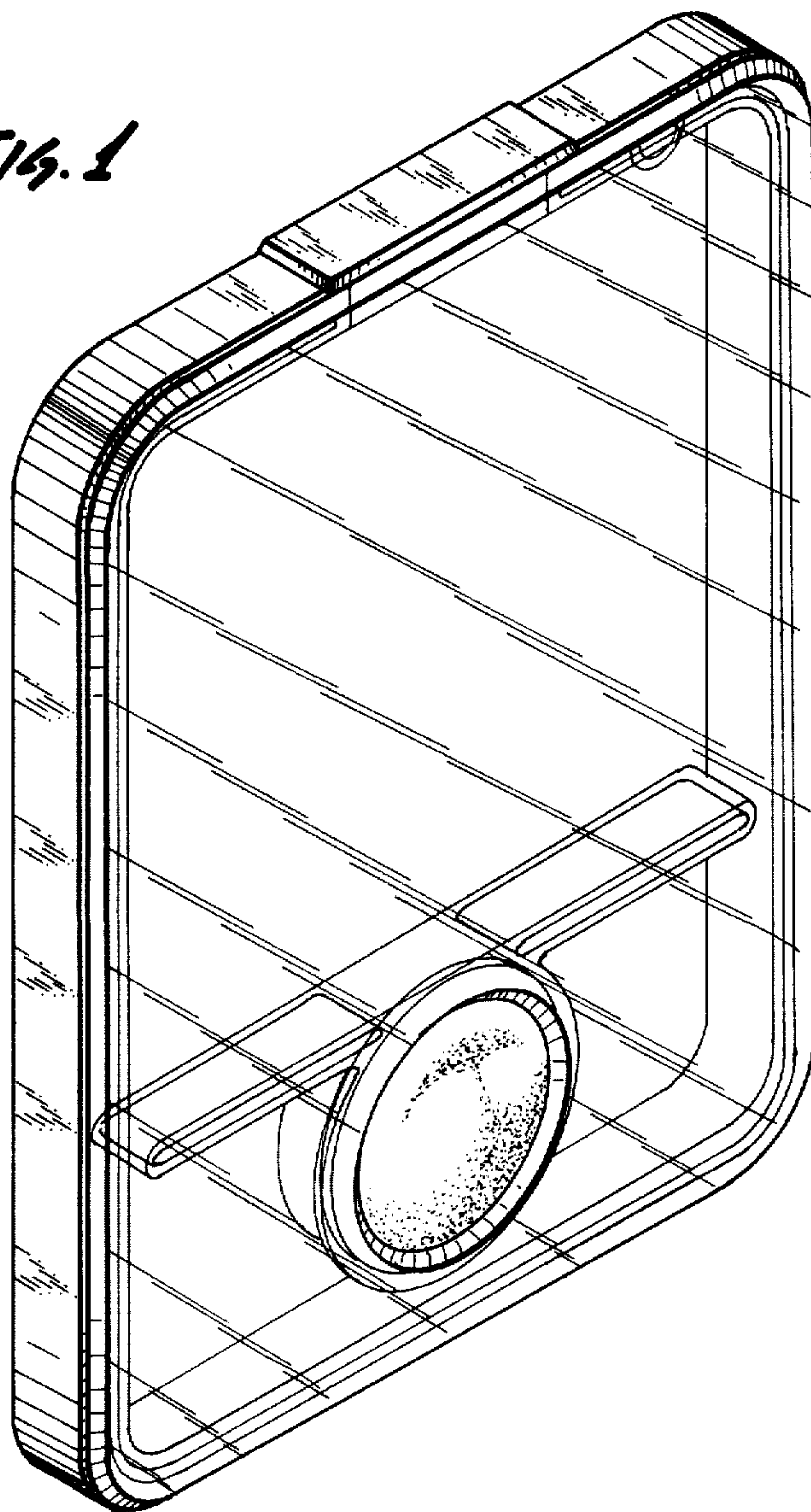
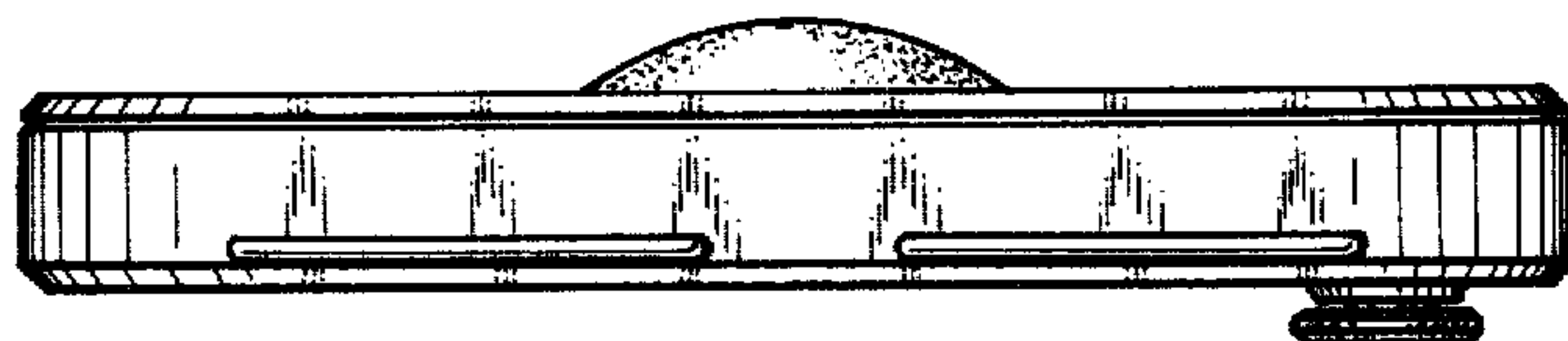


Fig. 2



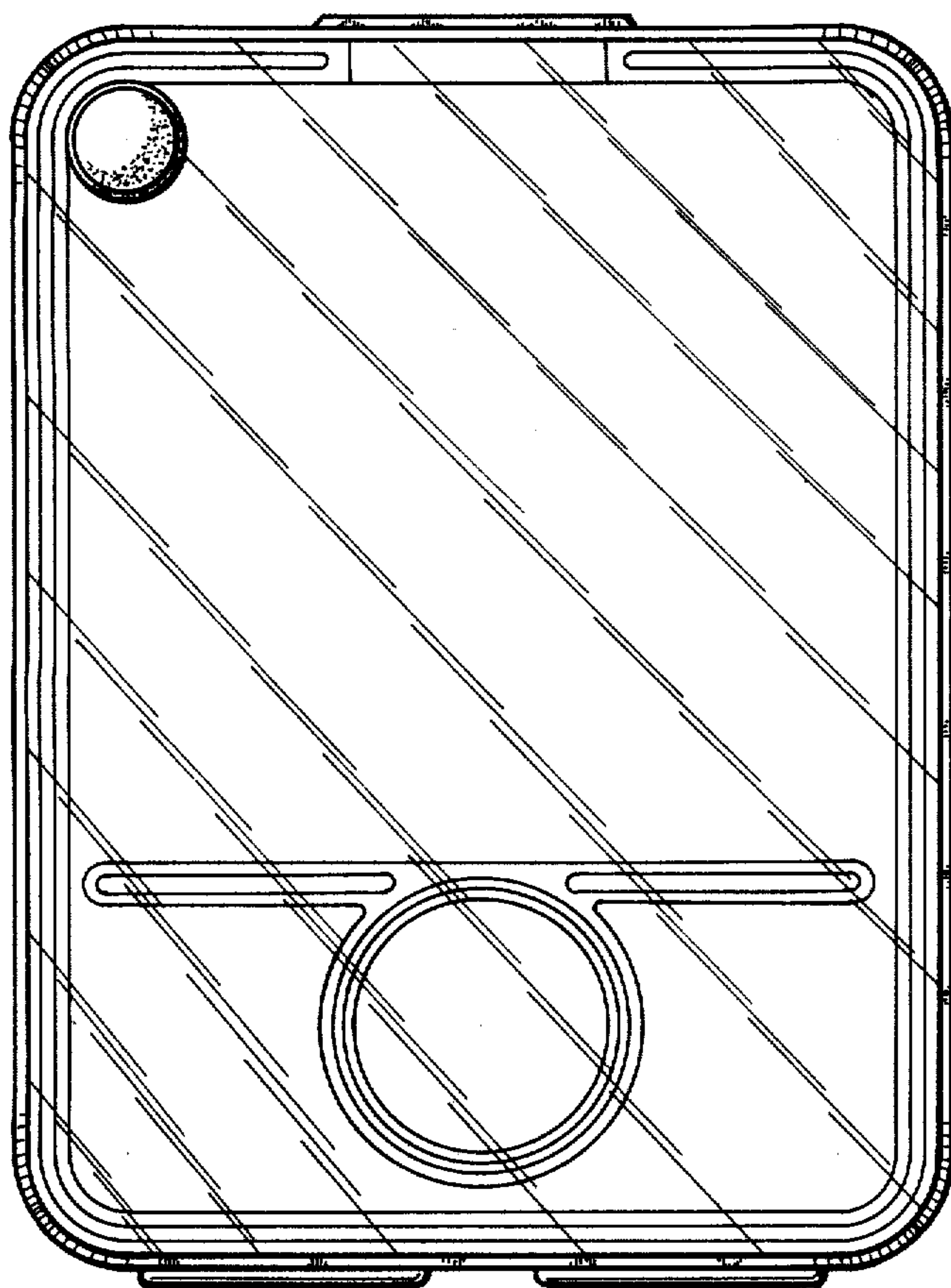


FIG. 3

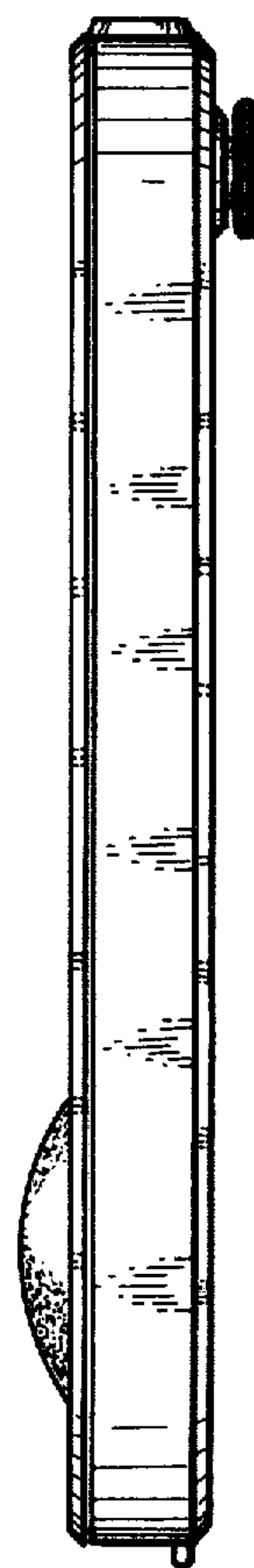


FIG. 4