

[54] FOLDABLE STENOGRAPHIC NOTEBOOK HOLDER

[75] Inventor: Mel Evenson, San Pedro, Calif.

[73] Assignee: Eldon Industries, Inc., Hawthorne, Calif.

[**] Term: 14 Years

[21] Appl. No.: 148,524

[22] Filed: May 9, 1980

[51] Int. Cl. D19-02

[52] U.S. Cl. D19/91; D6/184

[58] Field of Search D19/90, 91; D6/180, D6/184; 248/454-457, 460-461; 40/341

[56] References Cited

U.S. PATENT DOCUMENTS

D. 244,331 5/1977 Woods D19/91

D. 253,736	12/1979	Cuarino	D6/180
1,953,527	4/1934	Bentley	248/456
2,089,595	8/1937	Bourne	248/460
3,029,548	4/1962	Braha	D6/184
3,999,734	12/1976	Gibson et al.	248/460

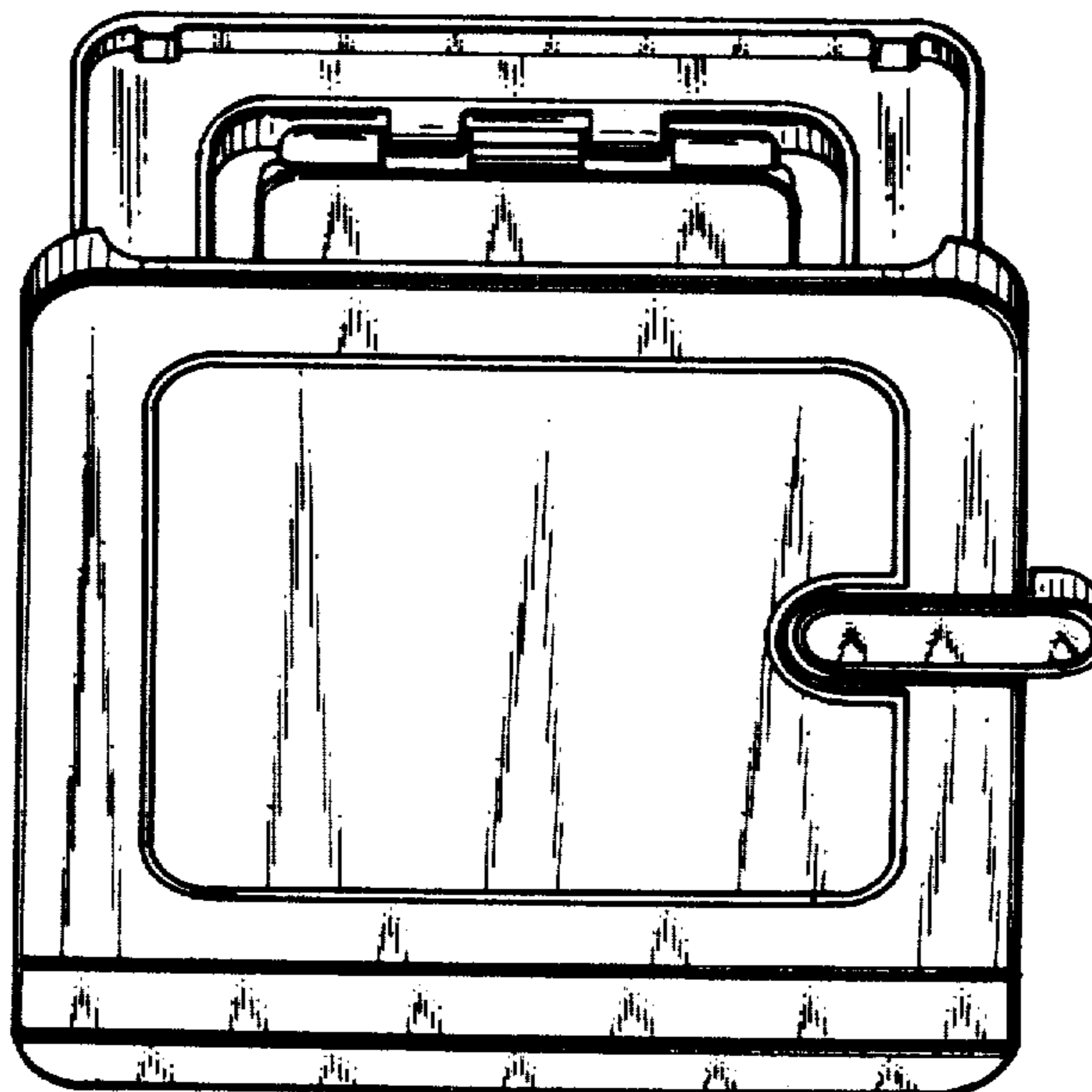
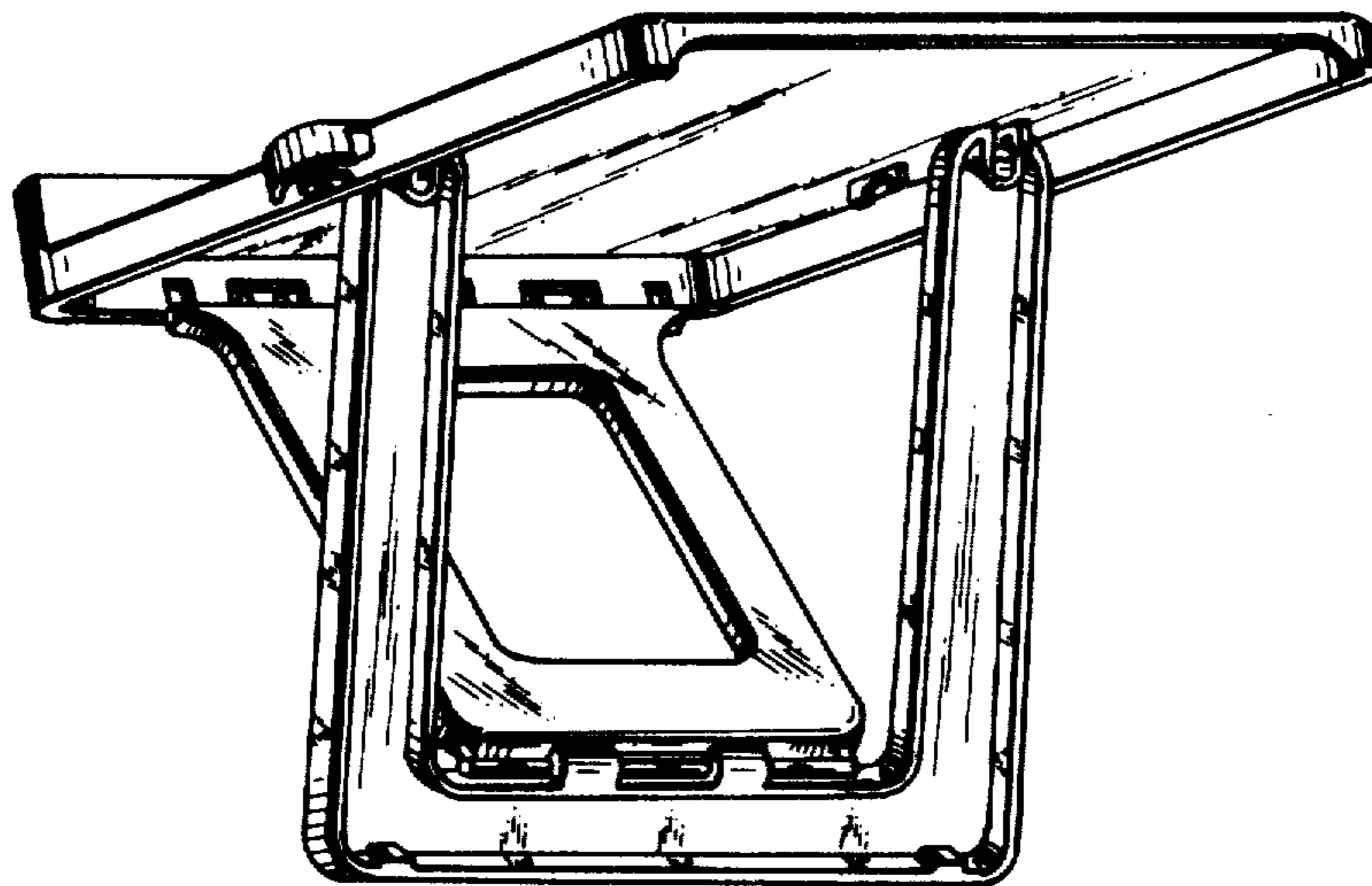
Primary Examiner—George P. Word
Attorney, Agent, or Firm—Edward D. O'Brian; K. H. Boswell

[57] CLAIM

The ornamental design for a foldable stenographic notebook holder, substantially as shown and described.

DESCRIPTION

FIG. 1 is a perspective view of a foldable stenographic notebook holder showing my new design; FIG. 2 is a side elevational view showing the left side thereof; FIG. 3 is a top plan view thereof; FIG. 4 is a front elevational view thereof; and FIG. 5 is a bottom plan view thereof.



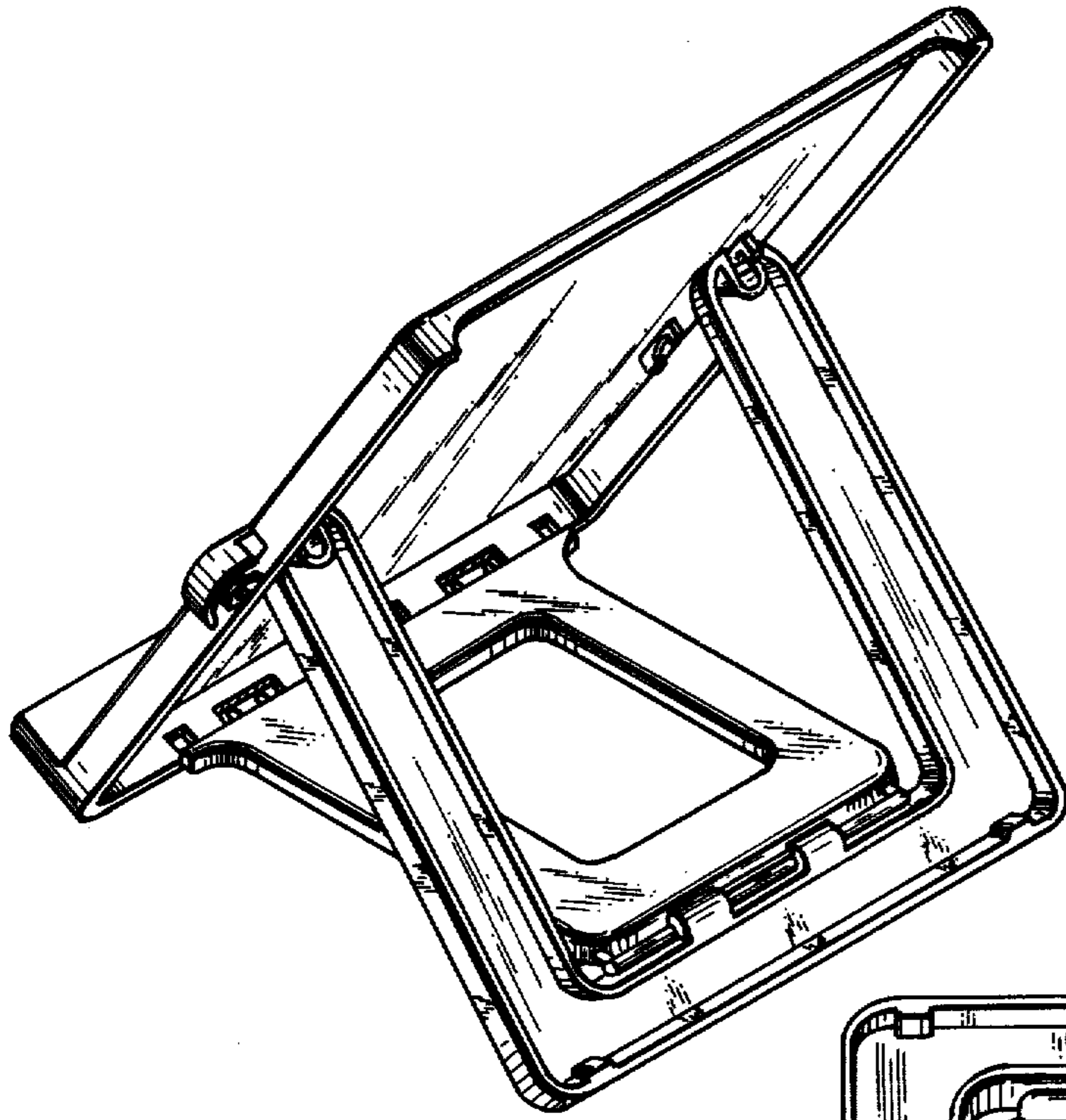


Fig. 1

Fig. 2

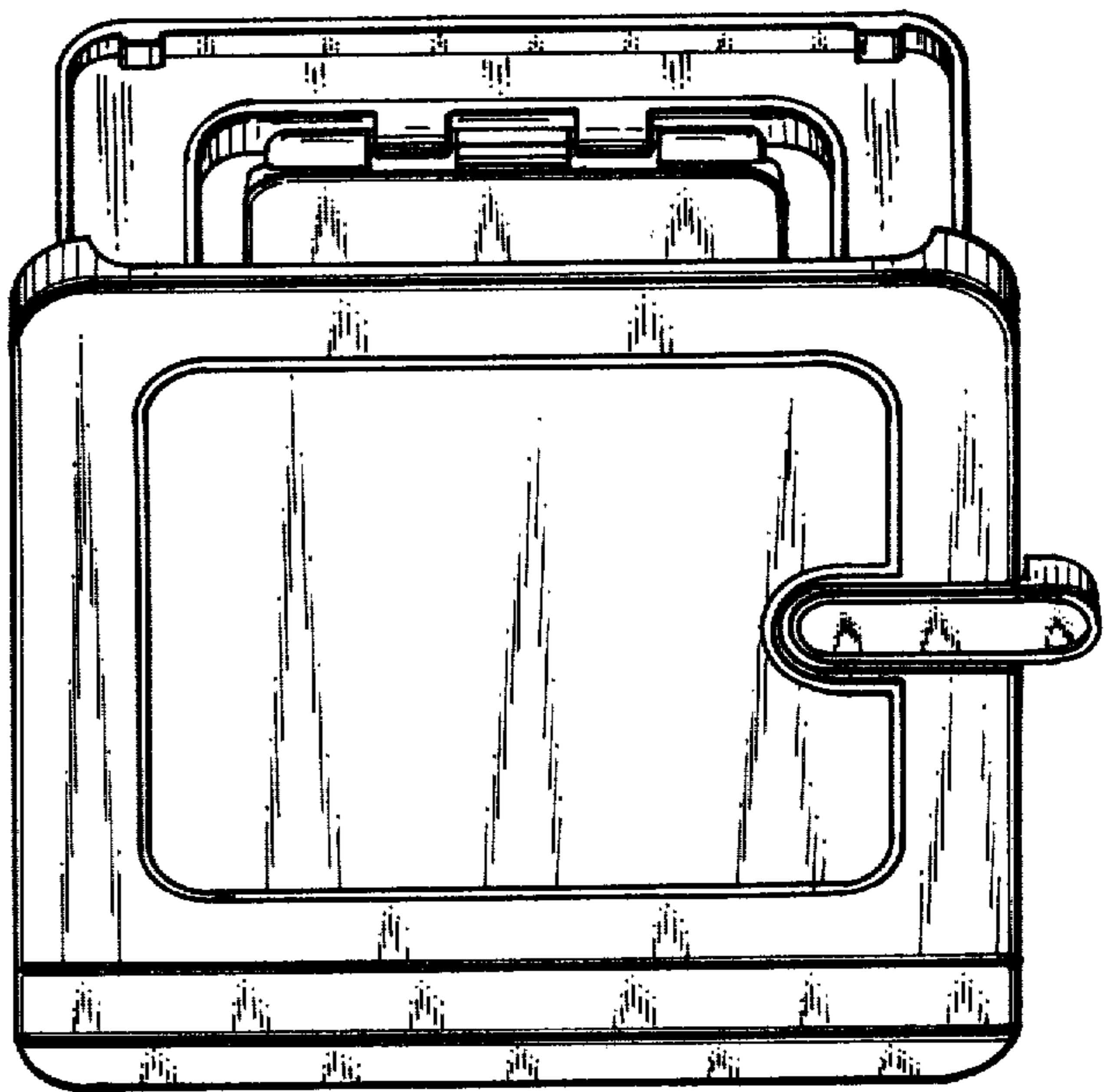
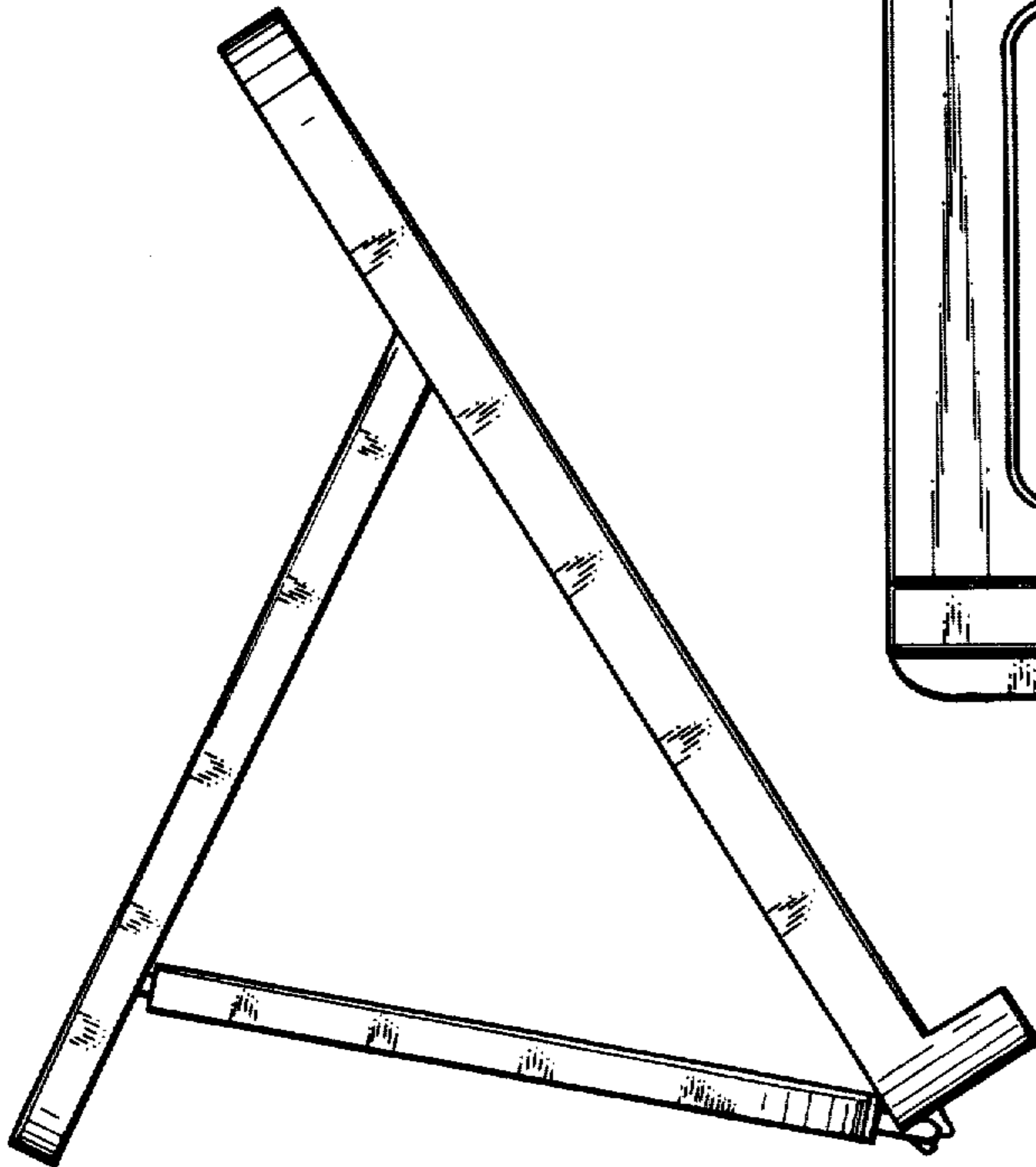


Fig. 3

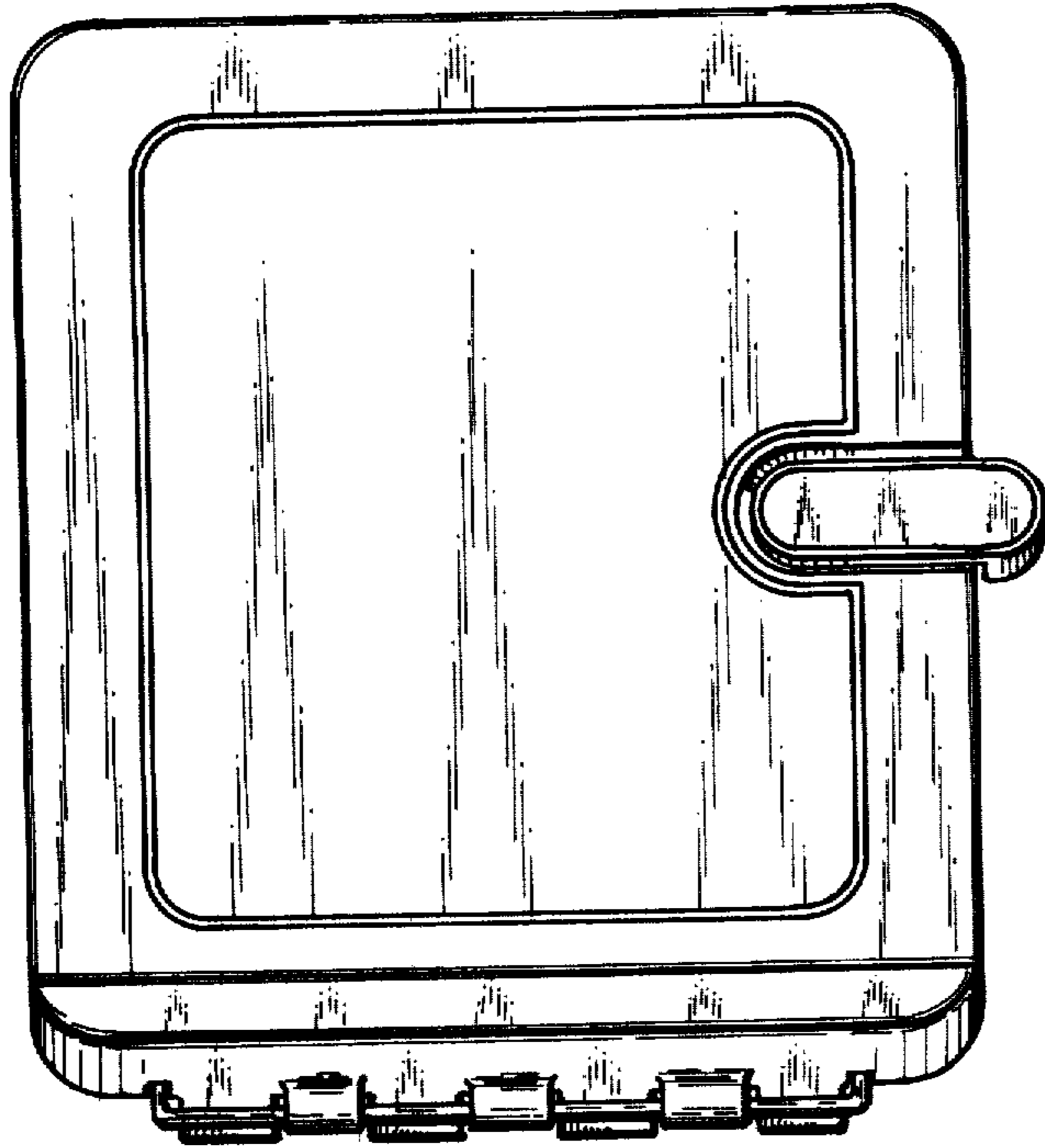


FIG. 4

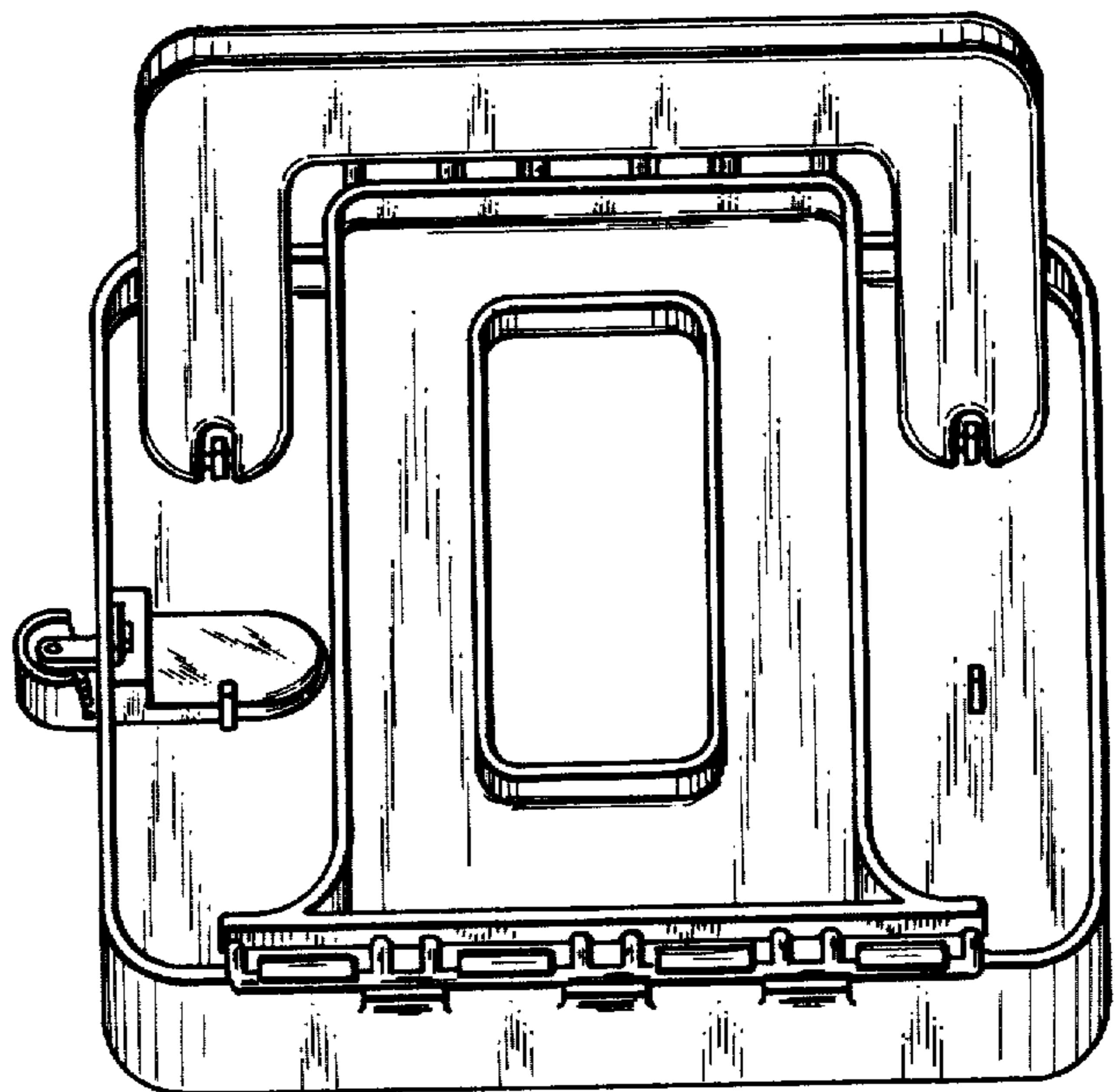


FIG. 5