

[54] **PRINTING MACHINE**

[75] **Inventors:** Etsuo Hiraishi, Hiroshima;  
Masakazu Sakamoto, Fukuyama,  
both of Japan

[73] **Assignee:** Ryobi Limited, Hiroshima, Japan

[\*\*] **Term:** 14 Years

[21] **Appl. No.:** 208,413

[22] **Filed:** Nov. 19, 1980

[30] **Foreign Application Priority Data**

May 23, 1980 [JP] Japan ..... 55-20688

[51] **Int. Cl.** ..... D18-02

[52] **U.S. Cl.** ..... D18/13

[58] **Field of Search** ..... D18/13, 22, 99;  
D14/111; 101/130, 132.5, 136, 141, 147

[56]

**References Cited**

**U.S. PATENT DOCUMENTS**

D. 242,287 11/1976 Hatsuda ..... D18/13  
3,804,005 4/1974 Burger et al. .... 101/132.5

*Primary Examiner*—Louis S. Zarfes

*Attorney, Agent, or Firm*—Birch, Stewart, Kolasch &  
Birch

[57]

**CLAIM**

The ornamental design of a printing machine, as shown.

**DESCRIPTION**

FIG. 1 is a perspective view of a printing machine showing our new design;

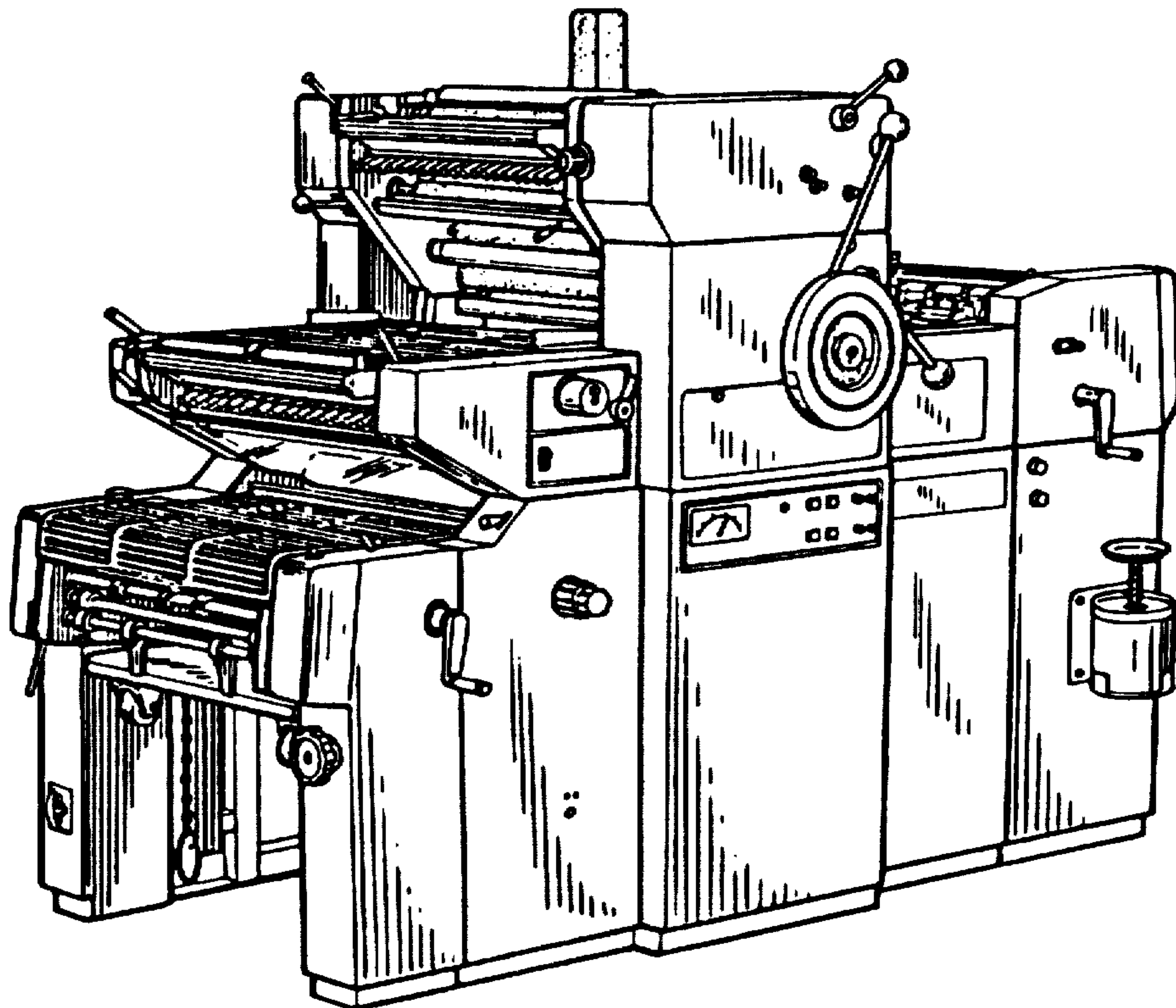
FIG. 2 is a top plan view of a printing machine showing our new design;

FIG. 3 is a left side elevational view of a printing machine showing our new design;

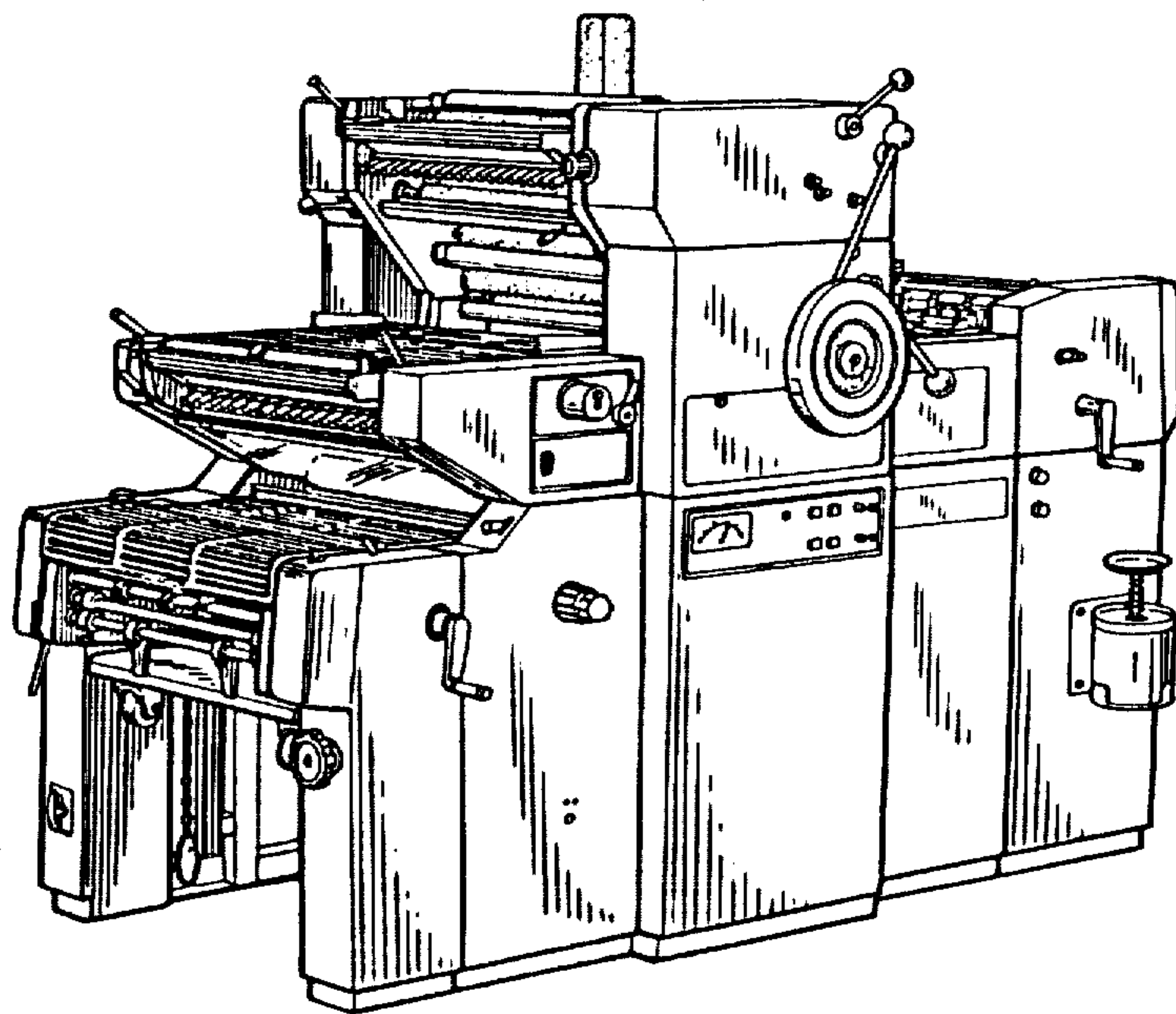
FIG. 4 is a right side elevational view of a printing machine showing our new design;

FIG. 5 is a rear elevational view of a printing machine showing our new design; and

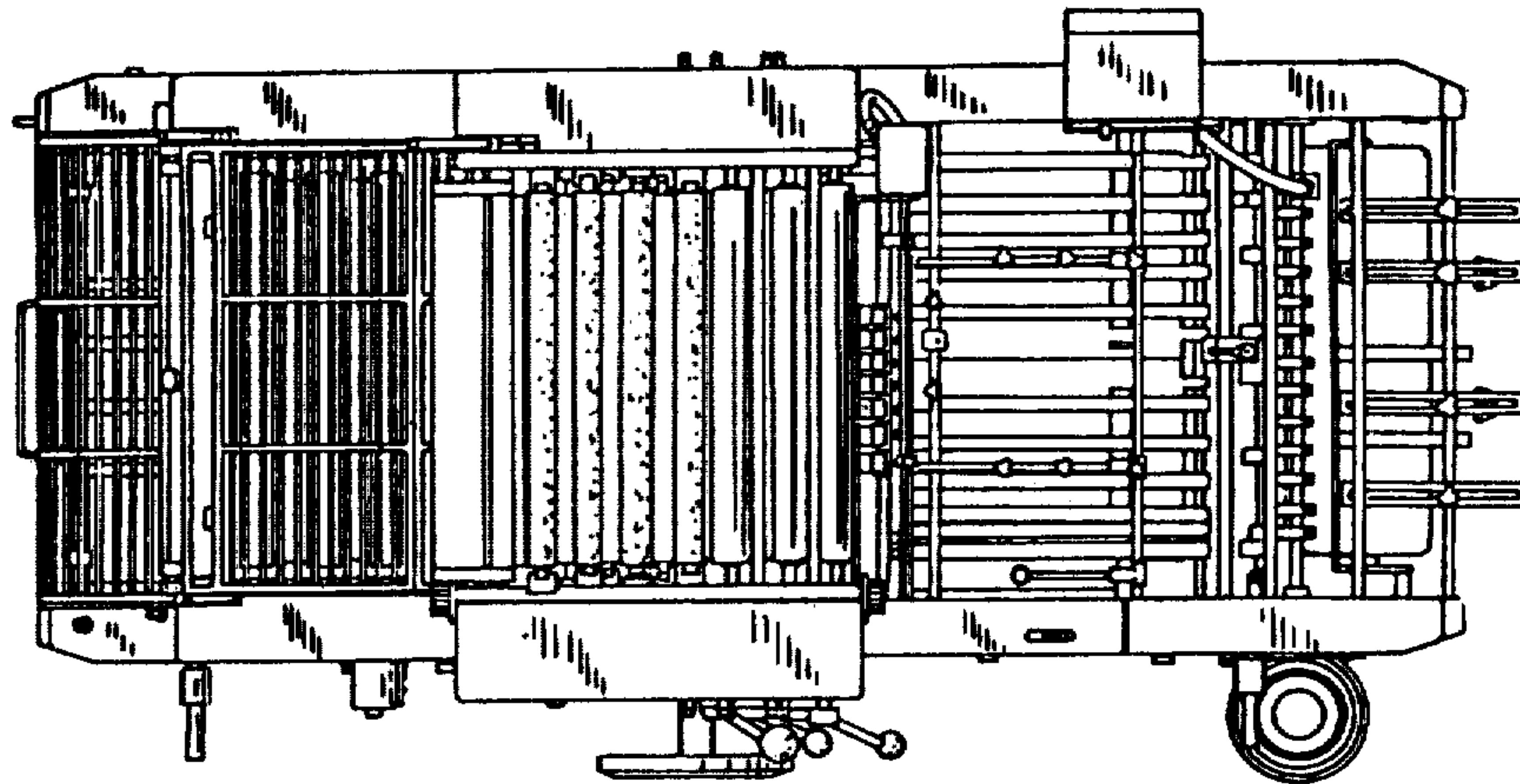
FIG. 6 is a front elevational view of a printing machine showing our new design.



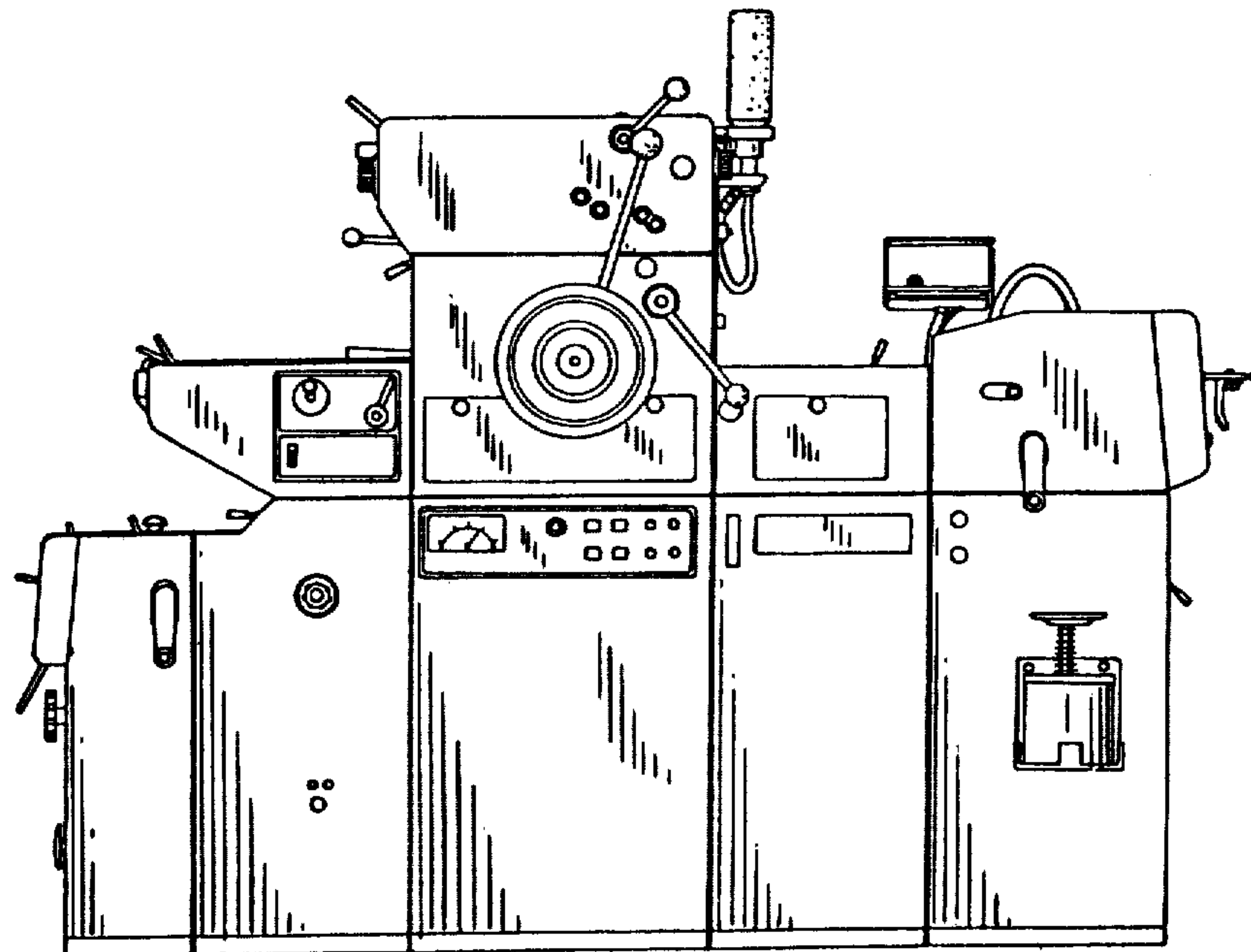
*FIG. 1*



*FIG. 2*

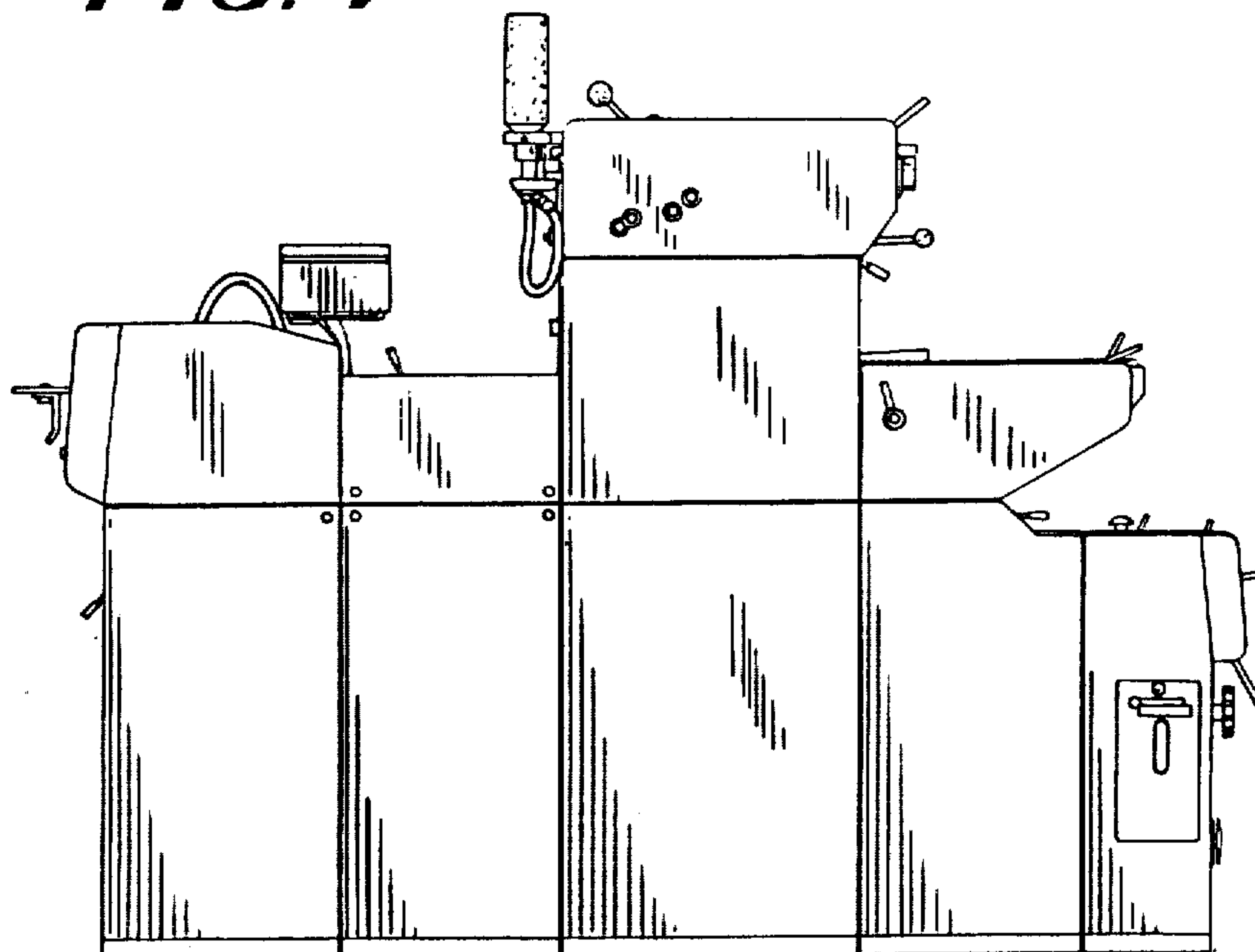


*FIG. 3*

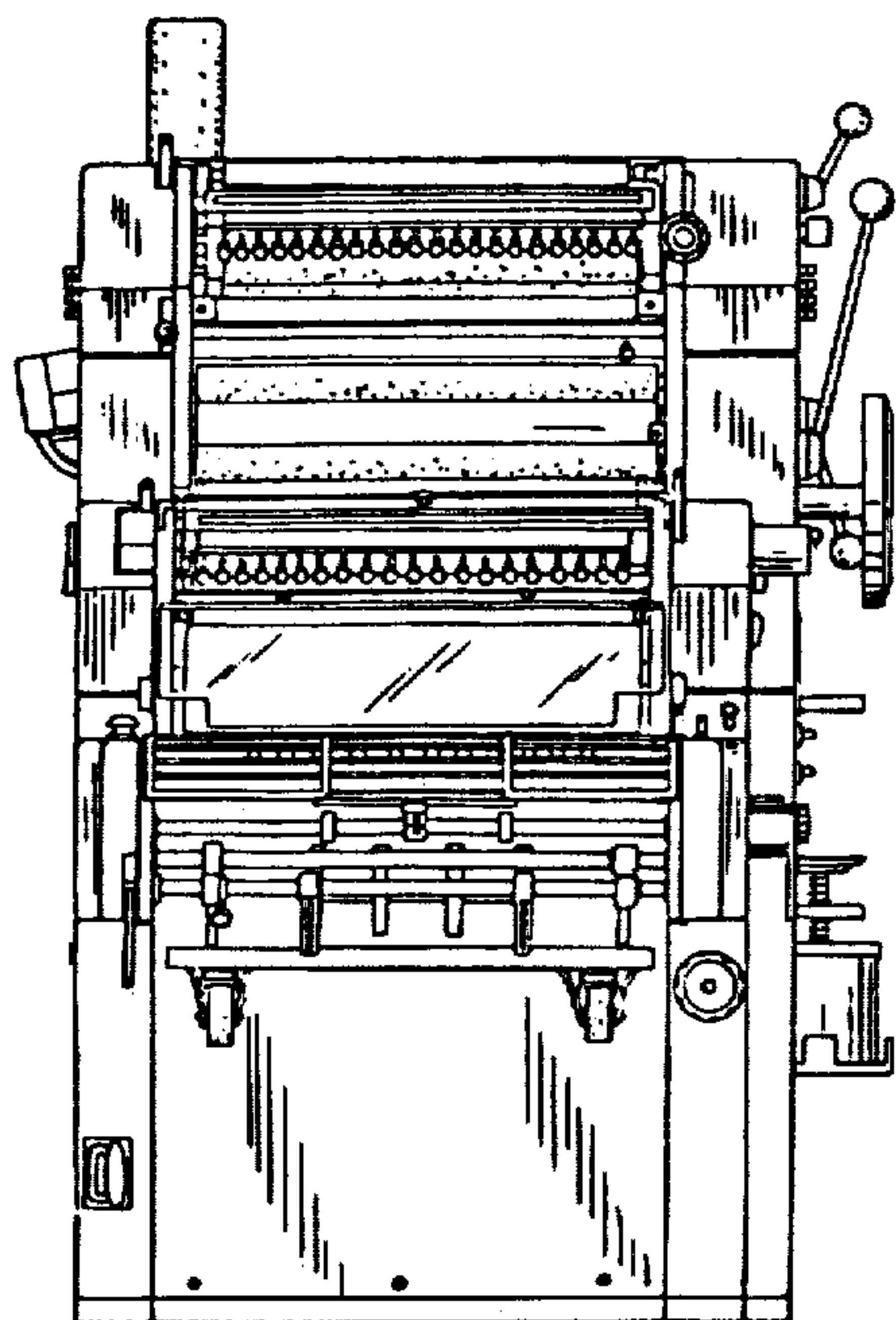




**FIG. 4**



**FIG. 5**



**FIG. 6**

