

[54] MACHINE TOOL ENCLOSURE

[56]

References Cited

U.S. PATENT DOCUMENTS

[75] Inventor: Juergen Frenkel, Berlin, German Democratic Rep.

D. 121,447	7/1940	Hollengreen et al.	.....	D15/138
D. 121,613	7/1940	Hollengreen et al.	.....	D15/138
D. 199,412	10/1964	Griggs	.....	D15/138
1,869,073	7/1932	Miller	.....	83/545
3,398,772	8/1968	Klein	.....	83/546
3,568,567	3/1971	Seck et al.	.....	409/134
4,040,336	8/1977	Lewis et al.	.....	409/134

[73] Assignee: Veb Werkzeugmaschinenkombinat "7 Oktober", Berlin, German Democratic Rep.

Primary Examiner—T. Tung  
Attorney, Agent, or Firm—Michael J. Striker

[\*\*] Term: 14 Years

[57] CLAIM

[21] Appl. No.: 38,722

The ornamental design for a machine tool enclosure, substantially as shown and described.

[22] Filed: May 14, 1979

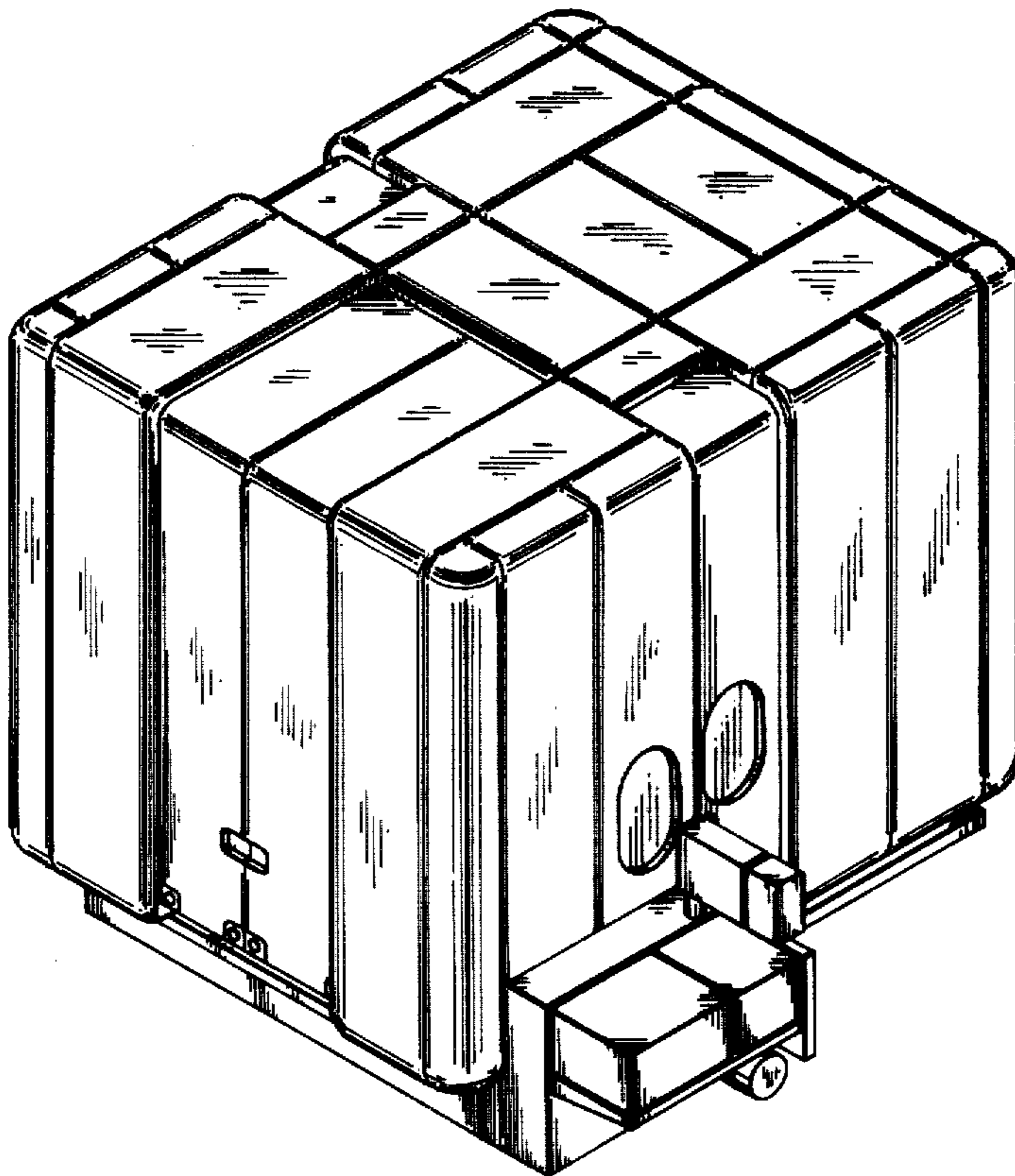
DESCRIPTION

[30] Foreign Application Priority Data

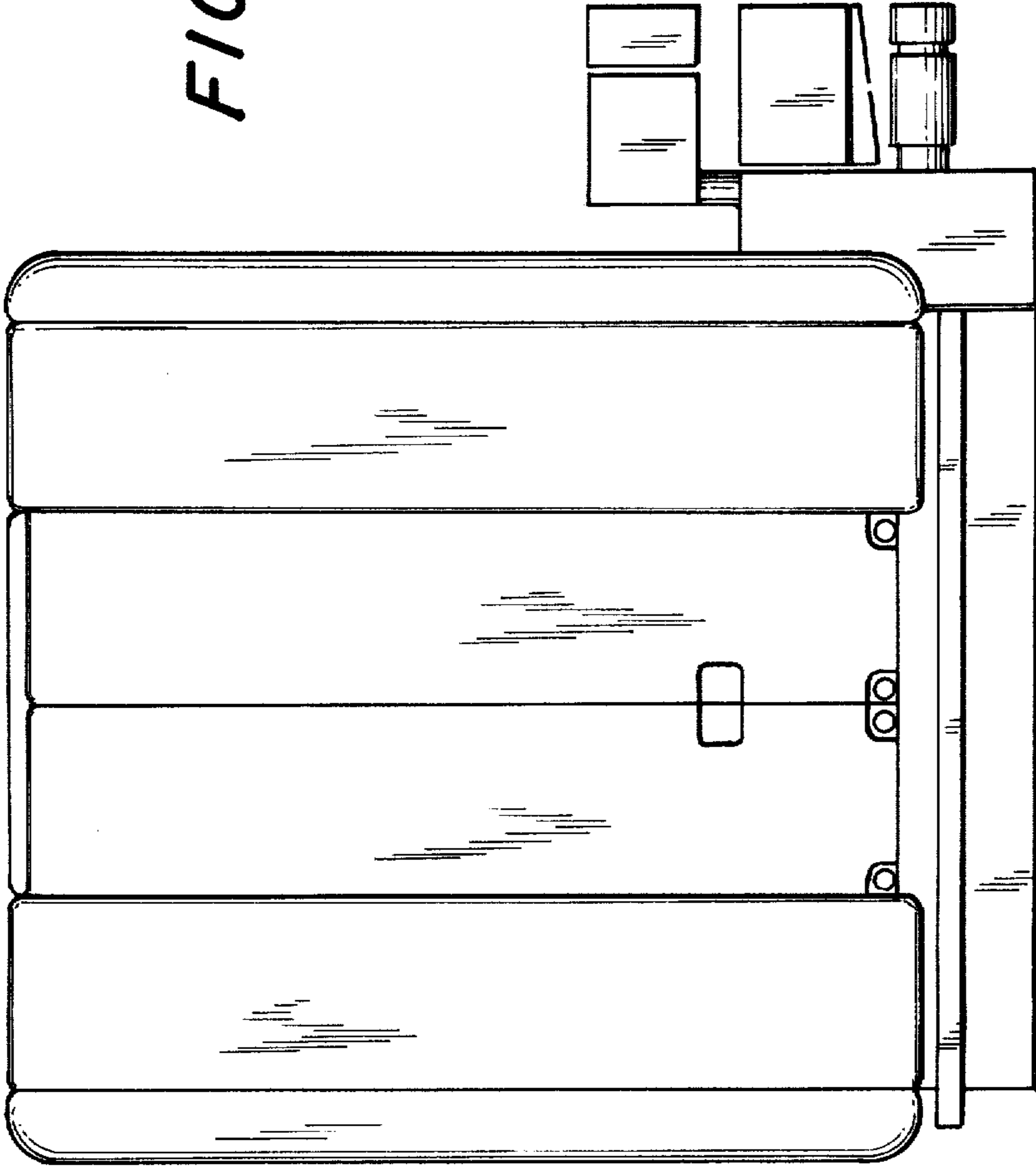
Nov. 13, 1978 [DD] German Democratic Rep. .... 13214/M1373

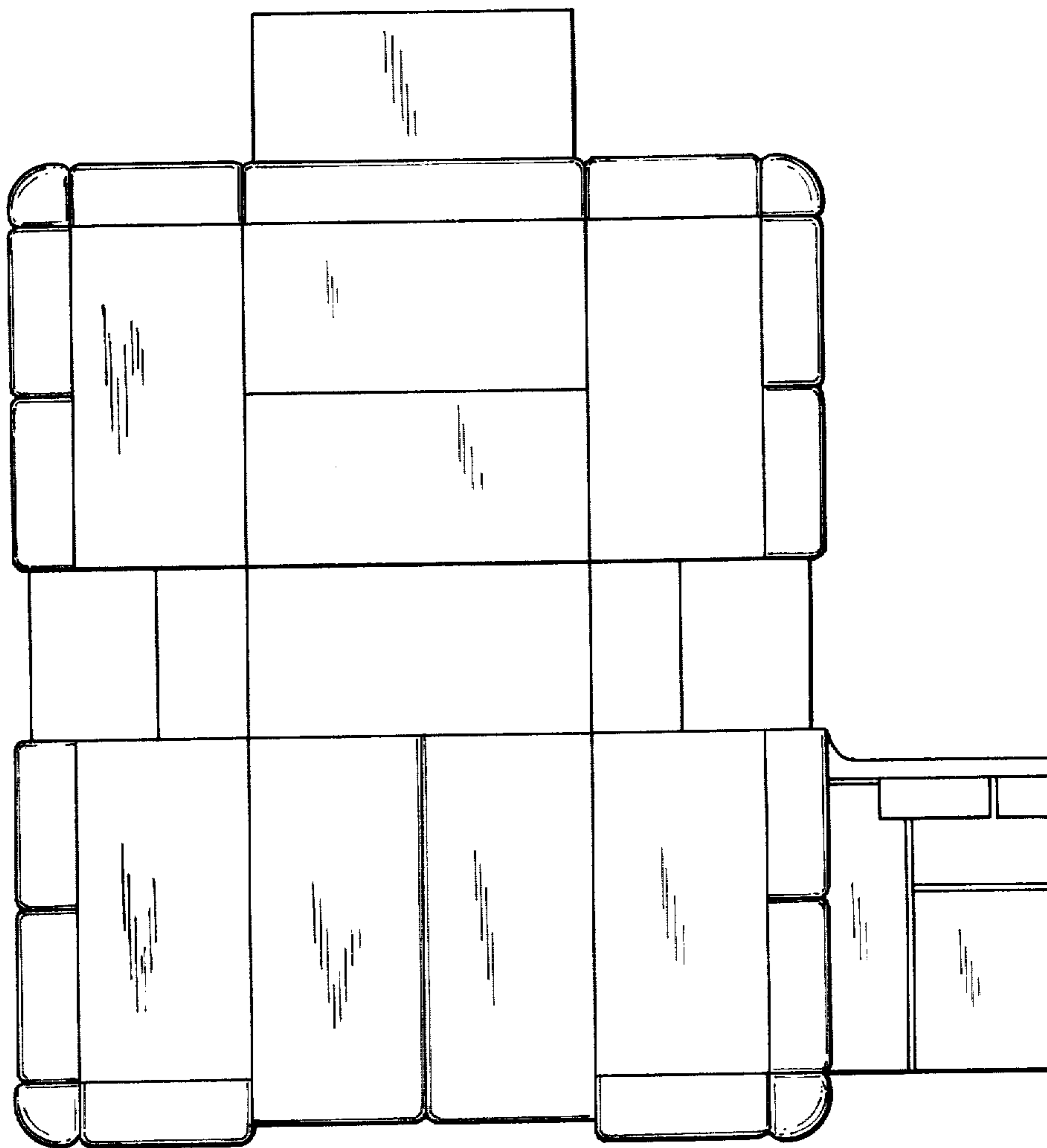
FIG. 1 is a front elevational view of a machine tool enclosure embodying my design;  
FIG. 2 is a top plan view thereof;  
FIG. 3 is a right side elevational view thereof;  
FIG. 4 is a rear elevational view thereof;  
FIG. 5 is a left side elevational view thereof;  
FIG. 6 is a bottom plan view thereof;  
FIG. 7 is a perspective view thereof from the front; and  
FIG. 8 is a perspective view thereof from the back.

[51] Int. Cl. .... D15-99  
[52] U.S. Cl. .... D15/138  
[58] Field of Search ..... D15/138; 83/544-546; 409/134

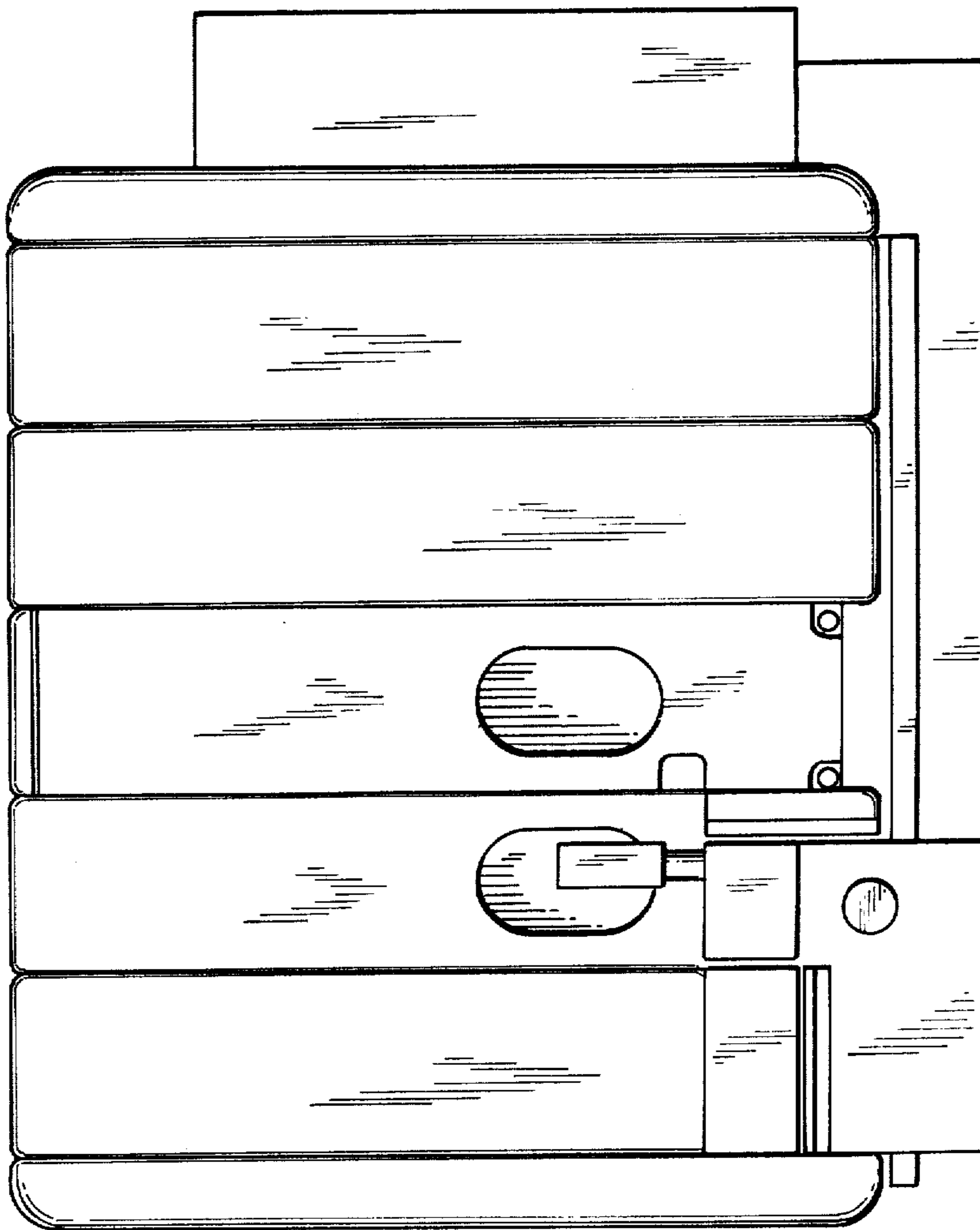


*FIG. 1*





**FIG. 2**



*FIG. 3*

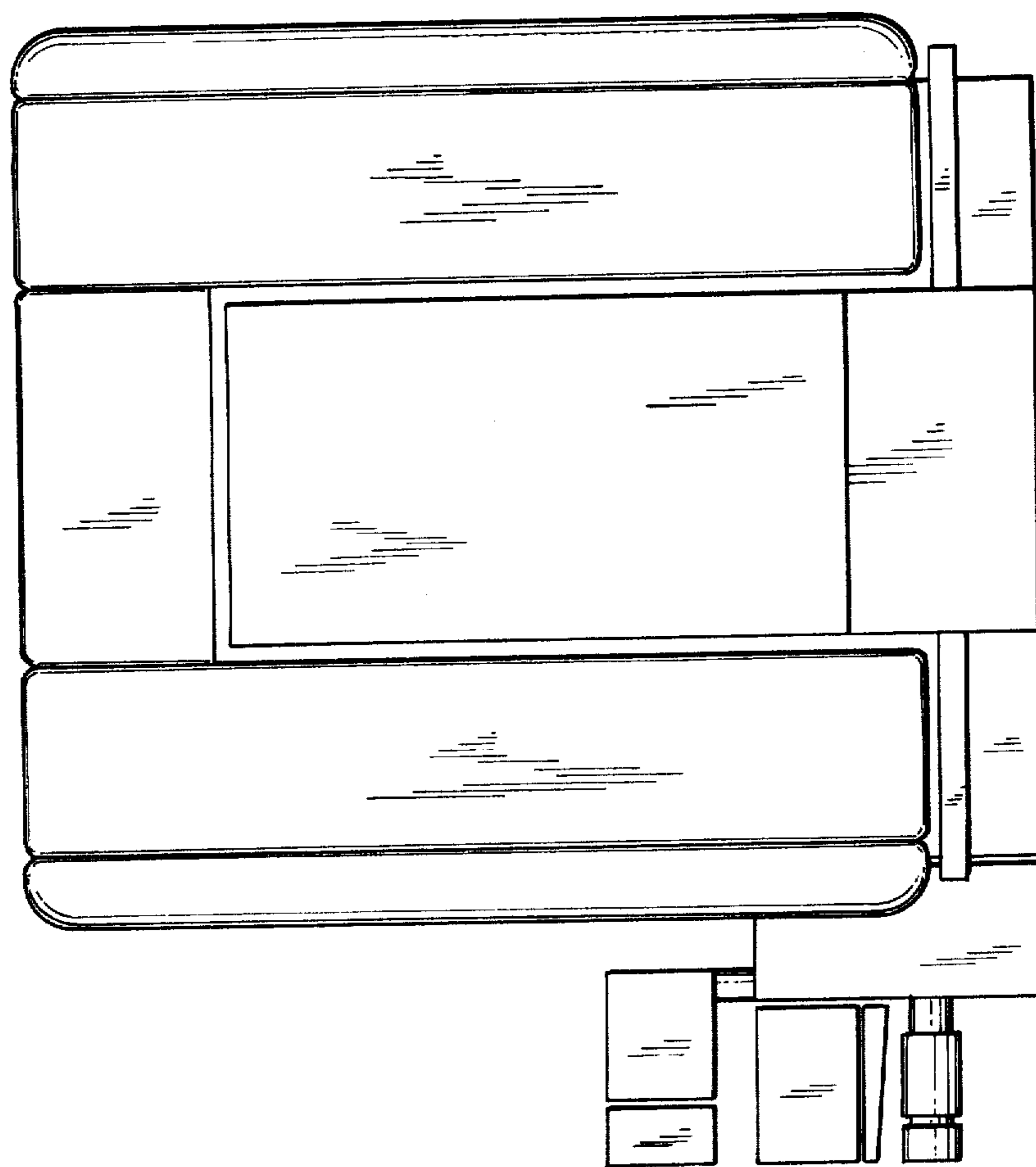


FIG. 4

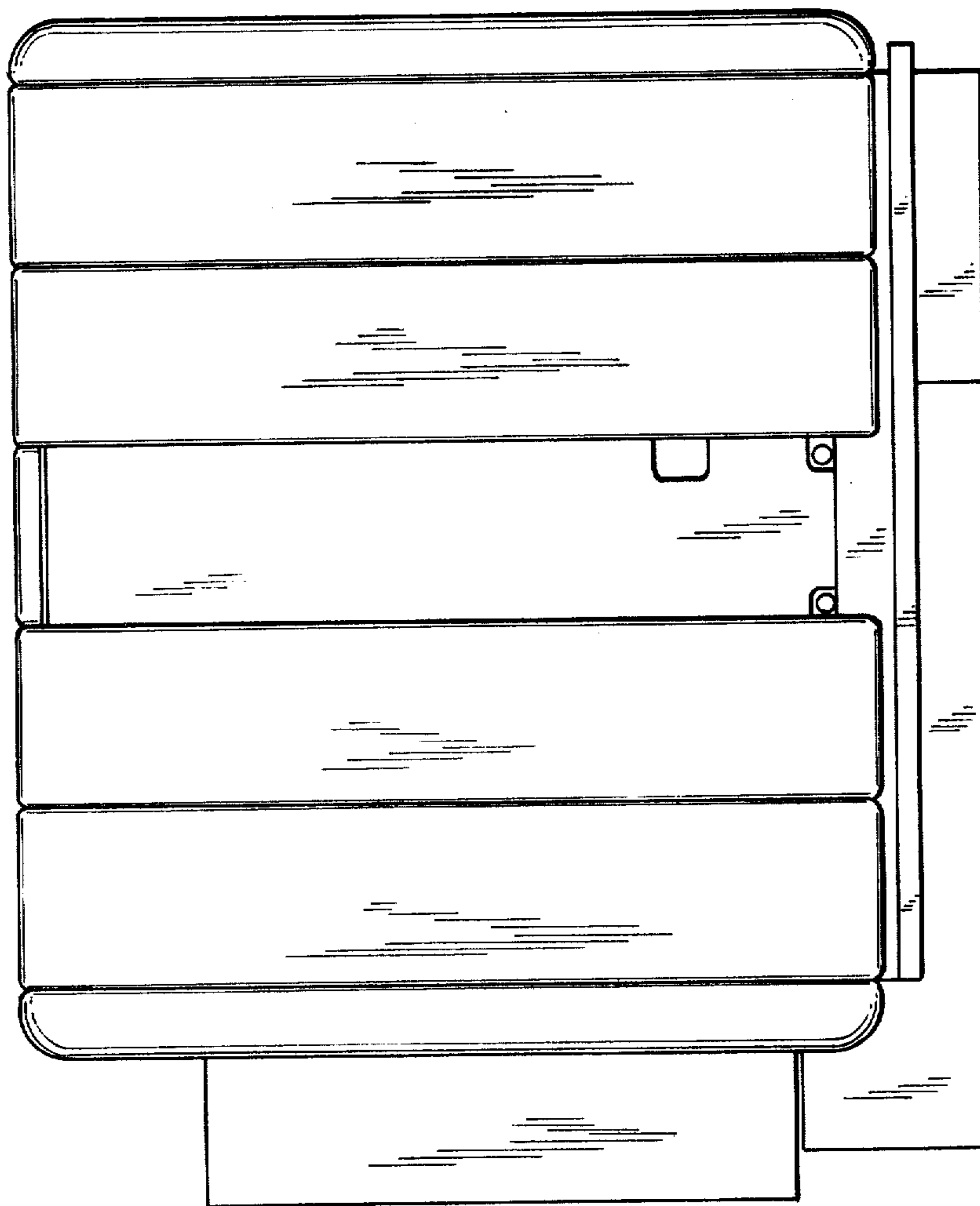
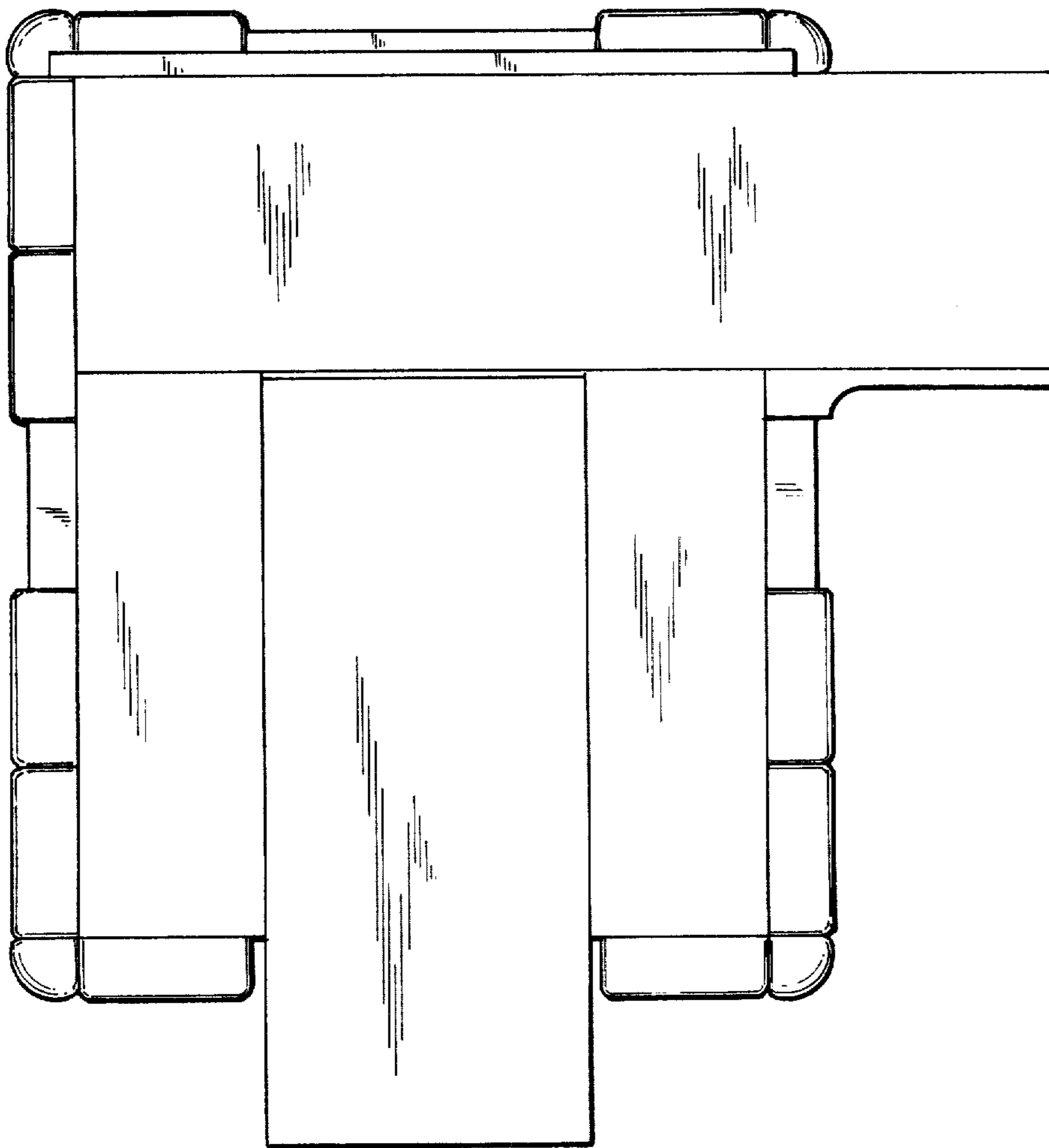


FIG. 5



**FIG. 6**

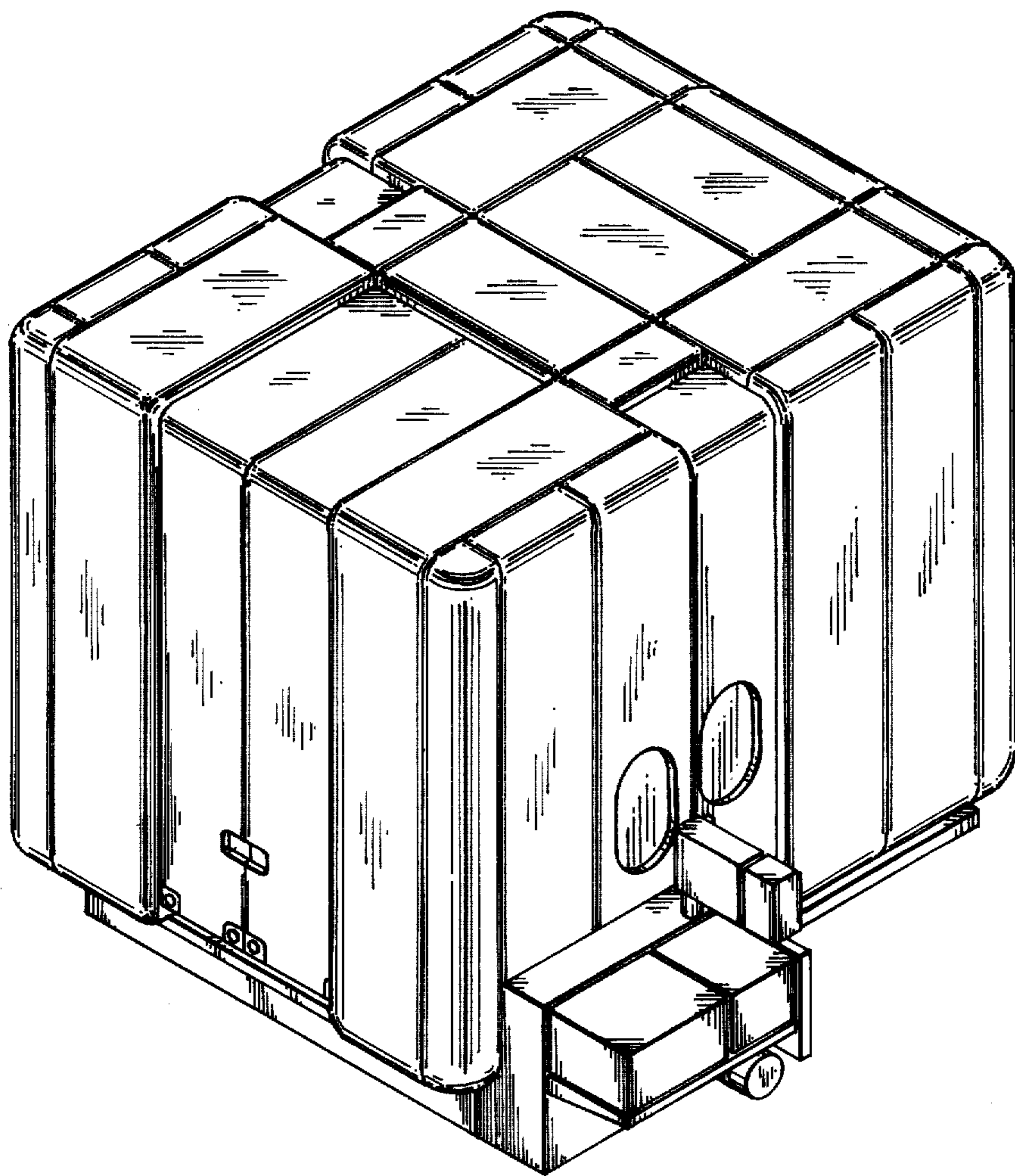
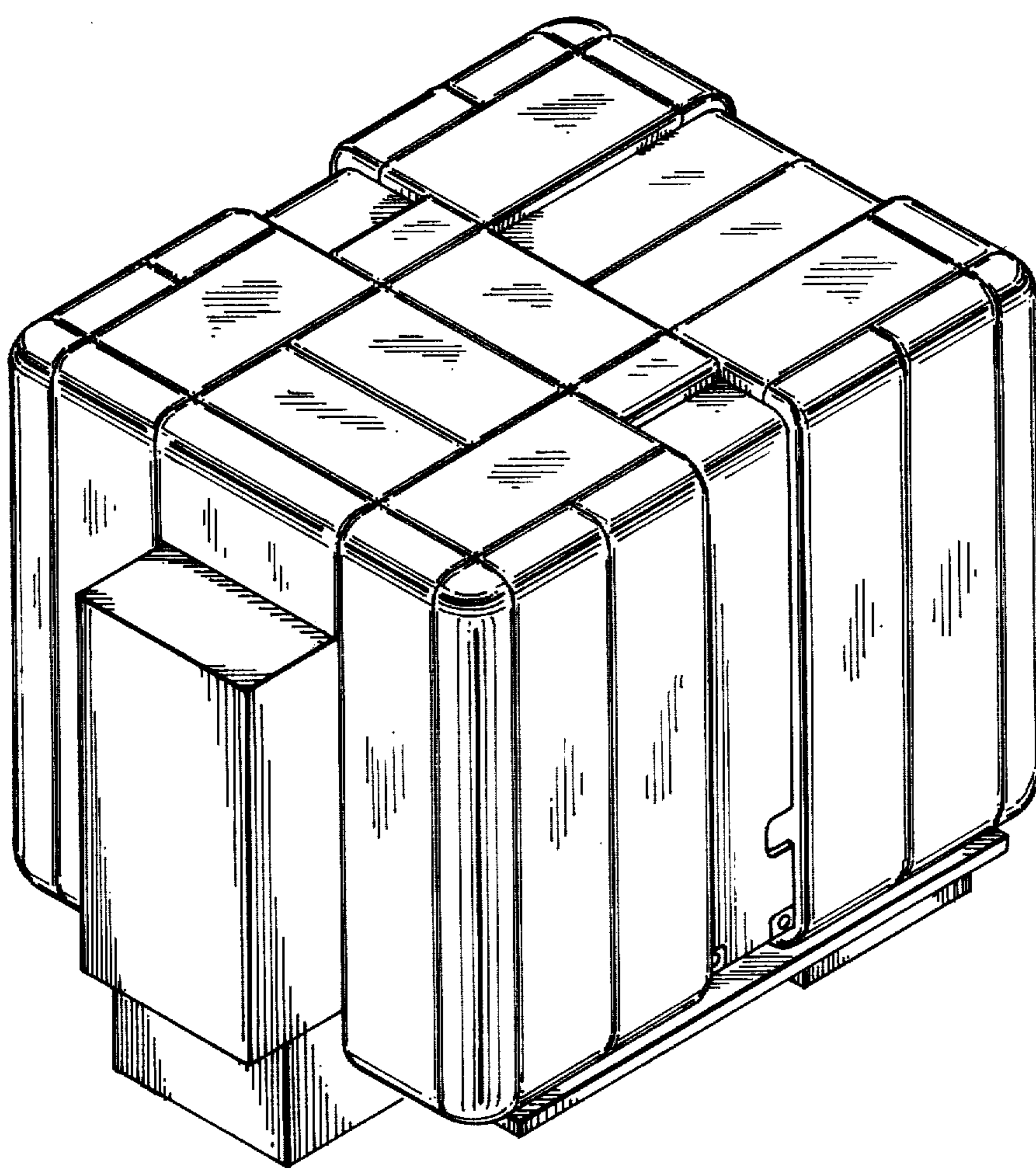


FIG-7





*FIG-8*