

[54] SEWING MACHINE BRACKET ARM

4,079,683 3/1978 Hanyu et al. 112/258 X

[75] Inventor: Eric A. Schneider, Linden, N.J.

[73] Assignee: The Singer Company, Stamford, Conn.

[**] Term: 14 Years

[21] Appl. No.: 144,005

[22] Filed: Apr. 28, 1980

[51] Int. Cl. D15-06

[52] U.S. Cl. D15/76

[58] Field of Search D15/66, 69, 72, 76, D15/78, 70, 74; 112/258, 259

[56] References Cited

U.S. PATENT DOCUMENTS

D. 180,616	7/1957	Park	D15/76
D. 217,989	7/1970	Szostak et al.	D15/76
D. 232,385	8/1974	Ballone	D15/76
D. 235,482	6/1975	Genaro	D15/76

OTHER PUBLICATIONS

Sew Business, Sep. 1973, p. 52, "Super Deluxe ZigZag Model 692-F", bottom center of page.

Primary Examiner—Joel Stearman
Assistant Examiner—Carmen H. Vales
Attorney, Agent, or Firm—William V. Ebs; Robert E. Smith; Edward L. Bell

[57] CLAIM

The ornamental design for a sewing machine bracket arm, substantially as shown and described.

DESCRIPTION

FIG. 1 is a front perspective view of a sewing machine bracket arm showing my new design; FIG. 2 is a top plan view thereof; FIG. 3 is a front elevational view thereof; FIG. 4 is a left end view thereof; FIG. 5 is a rear elevational view thereof; and FIG. 6 is a right end view thereof.

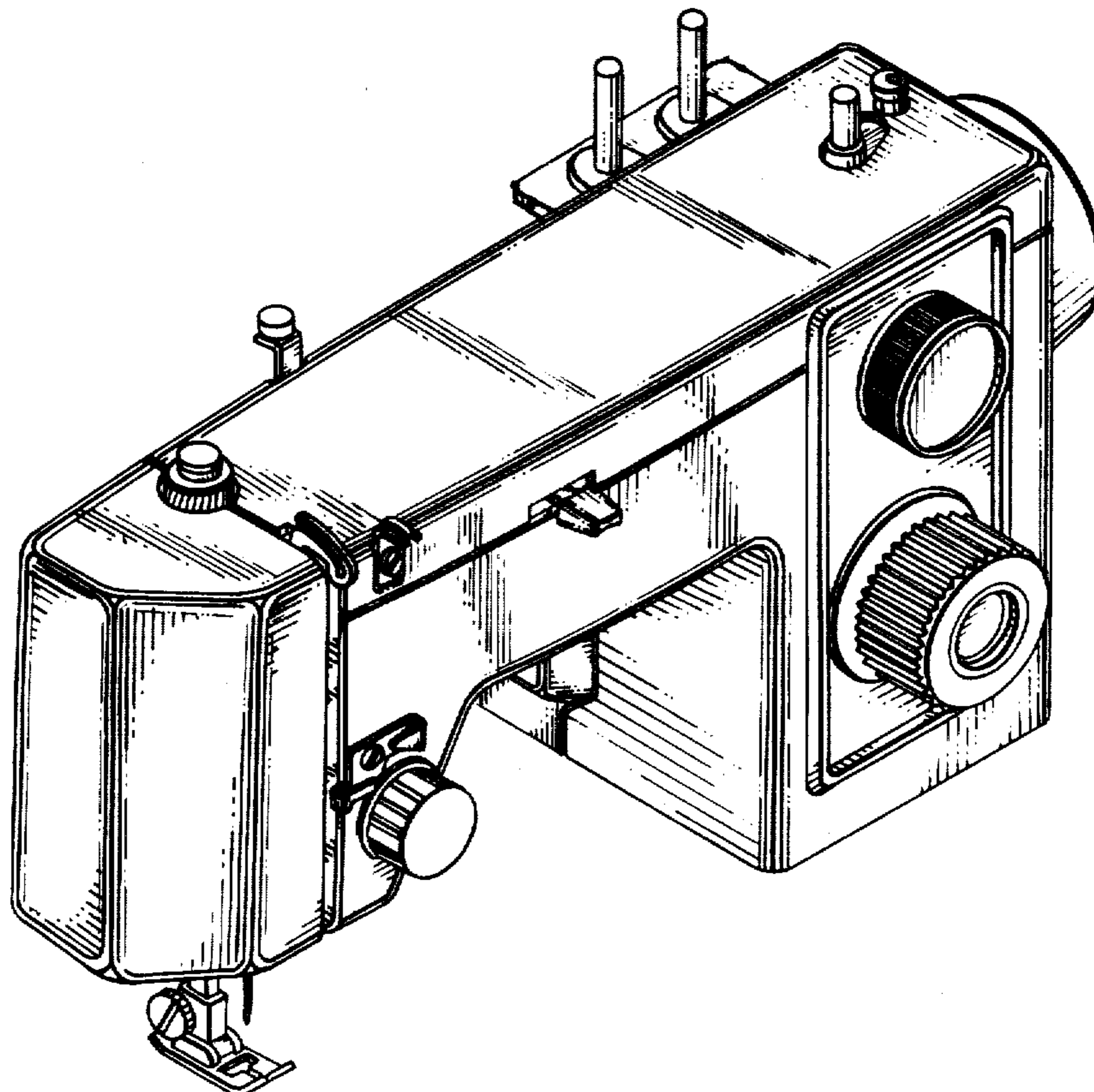


Fig. 1

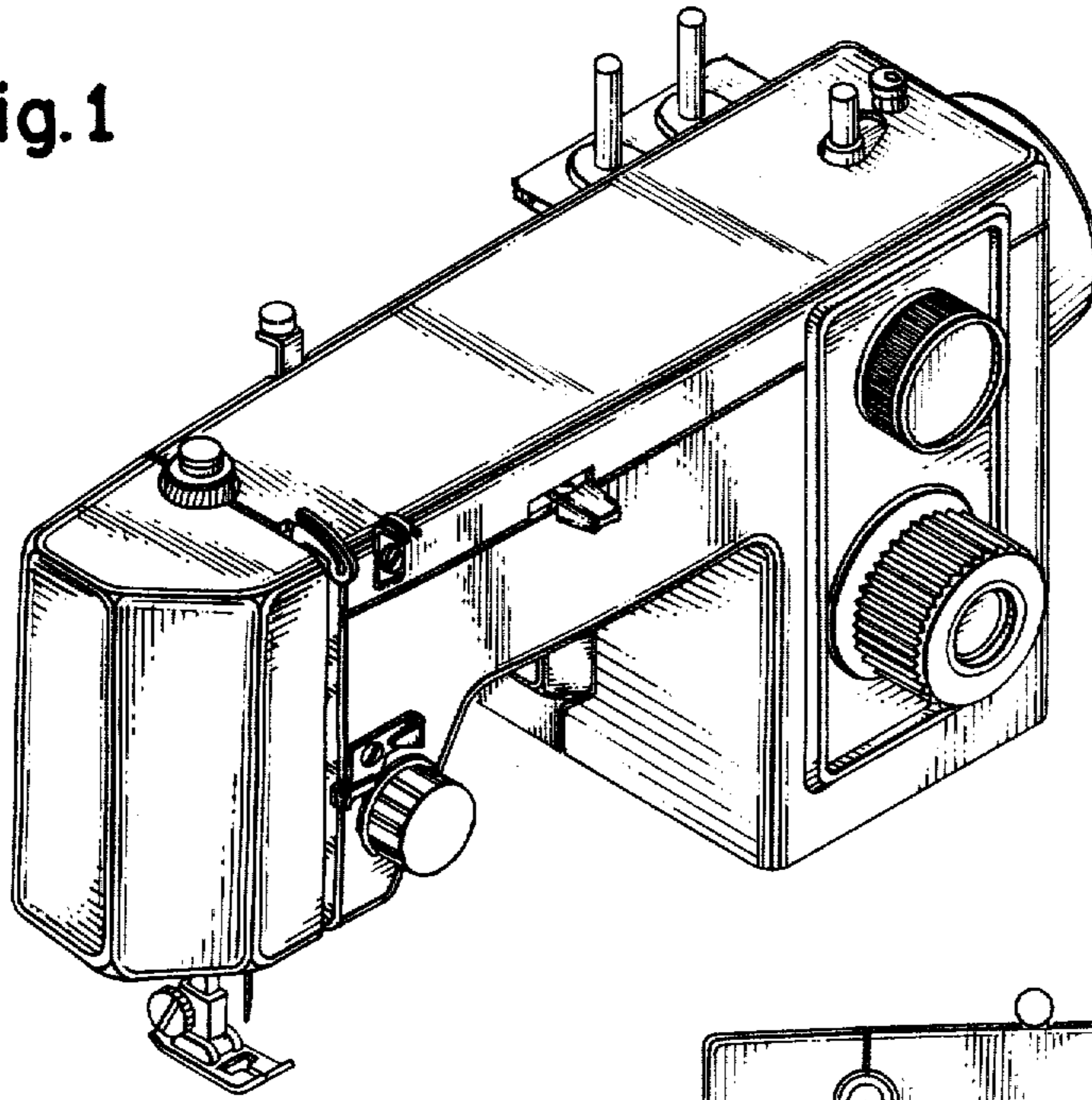


Fig. 2

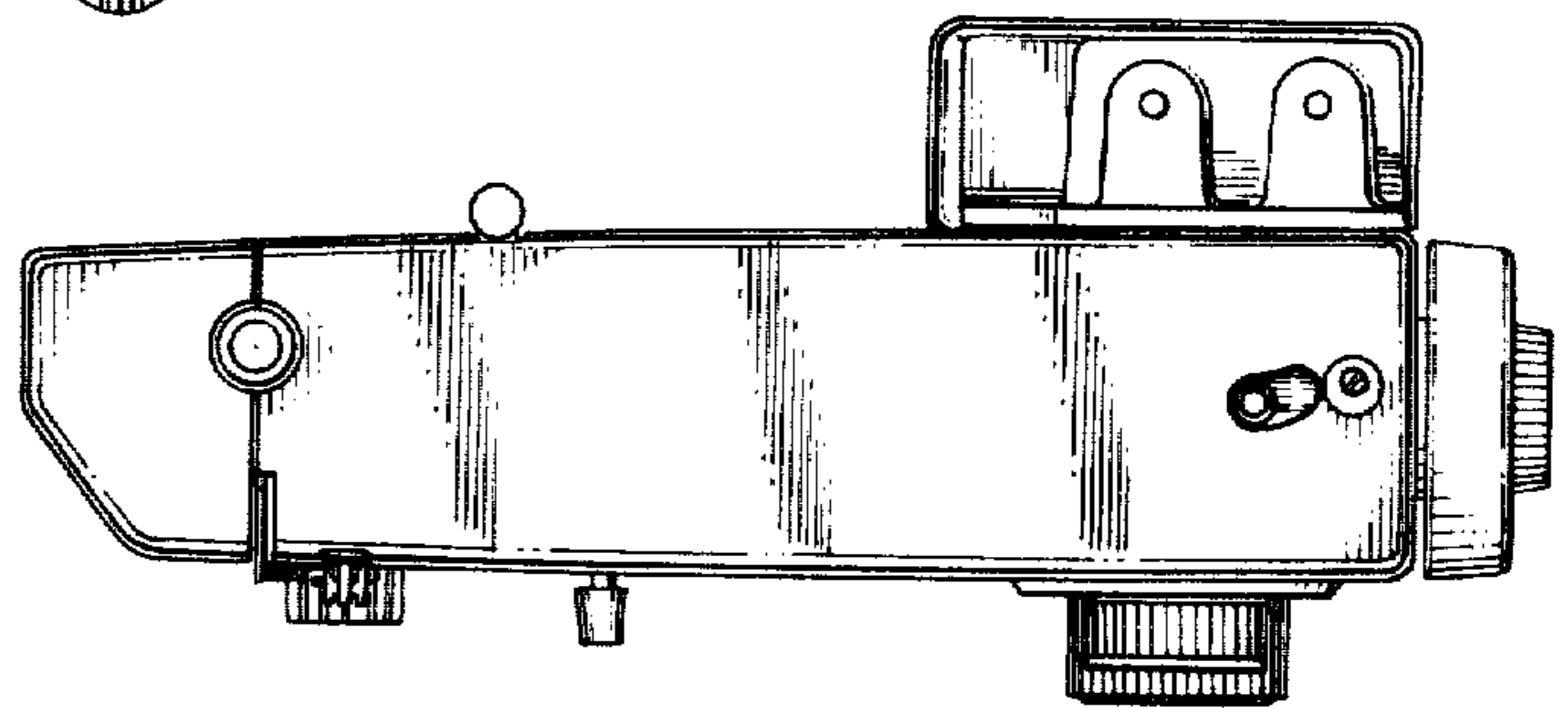


Fig. 4

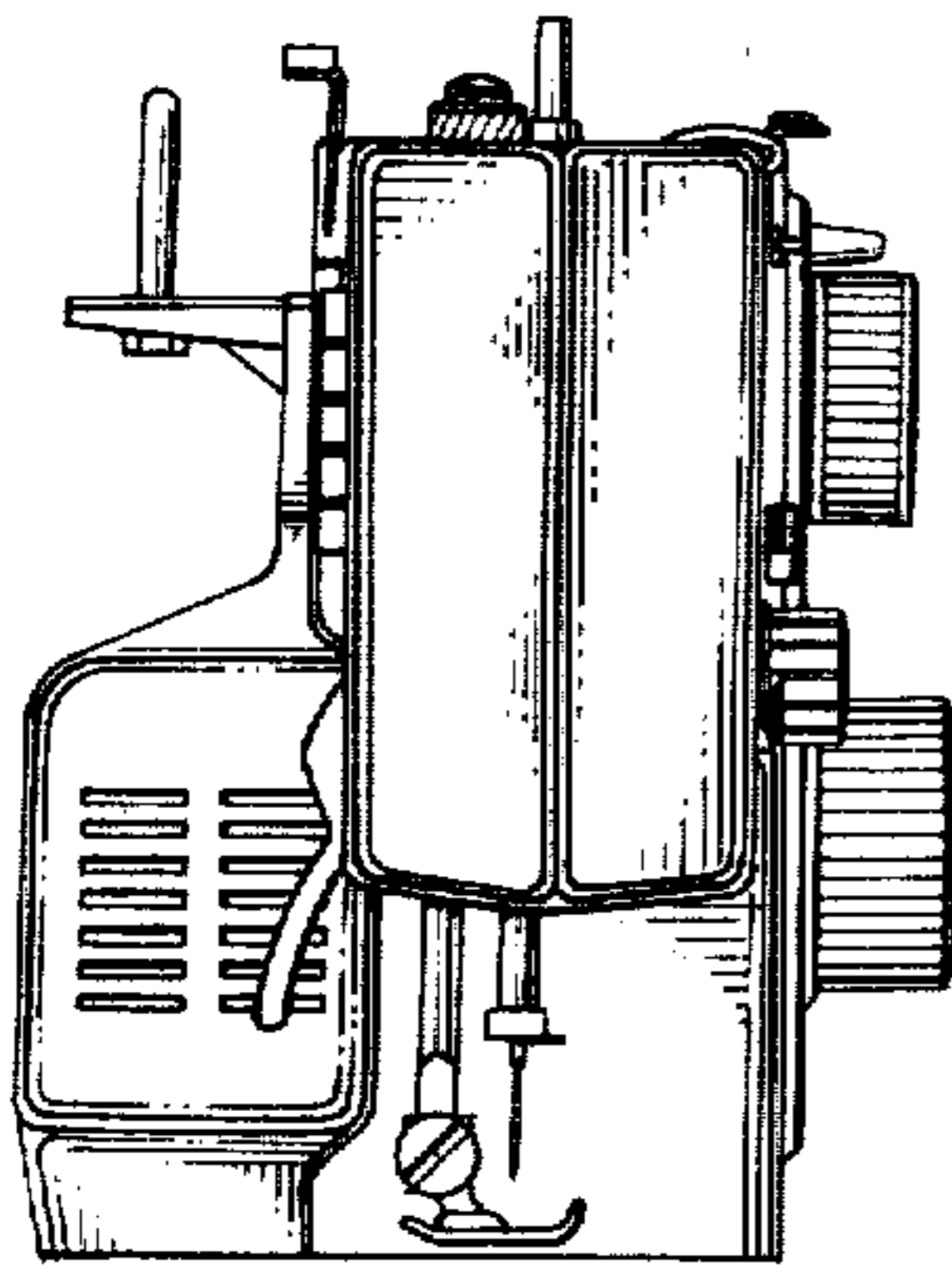


Fig. 3

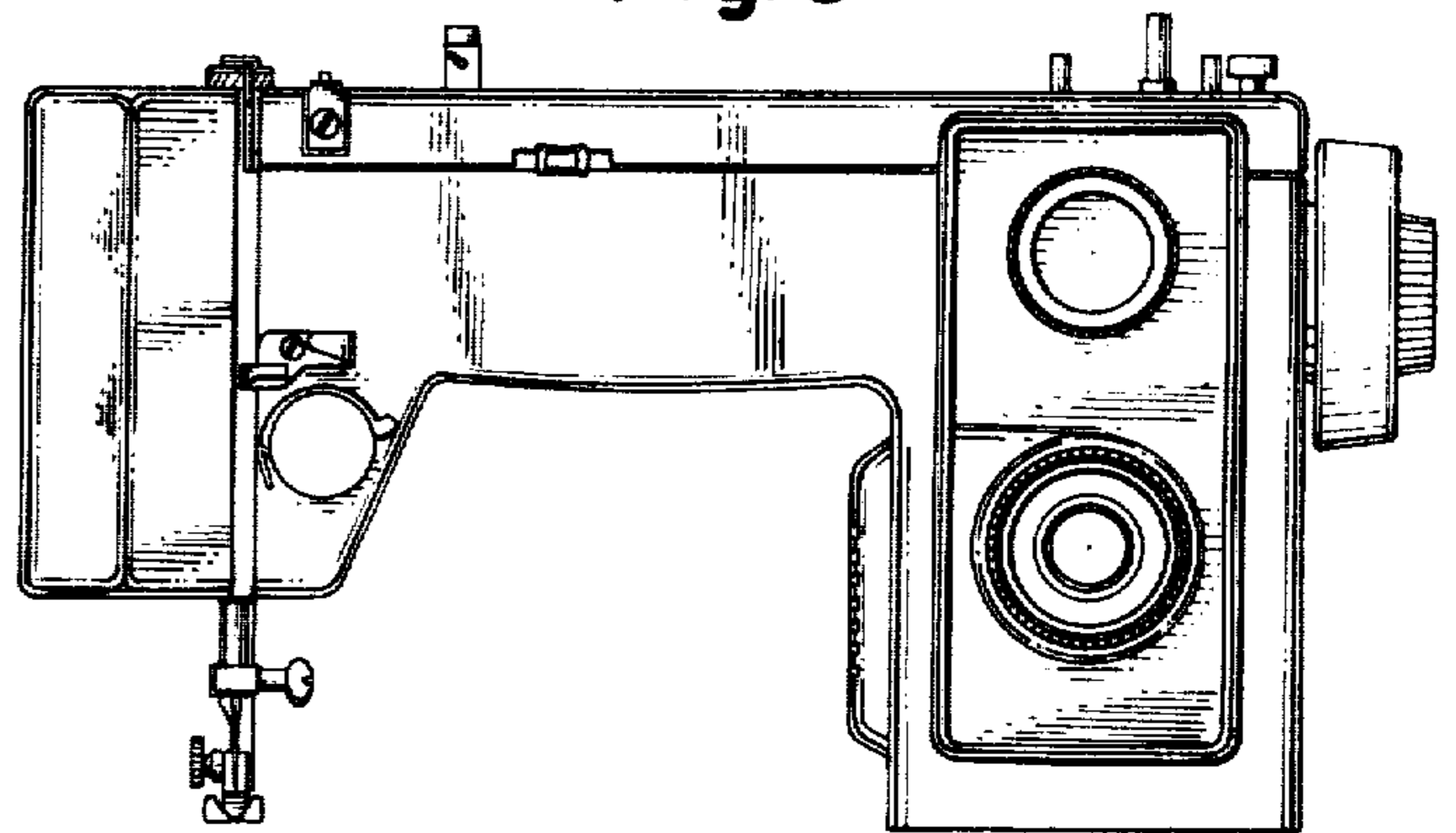


Fig. 6

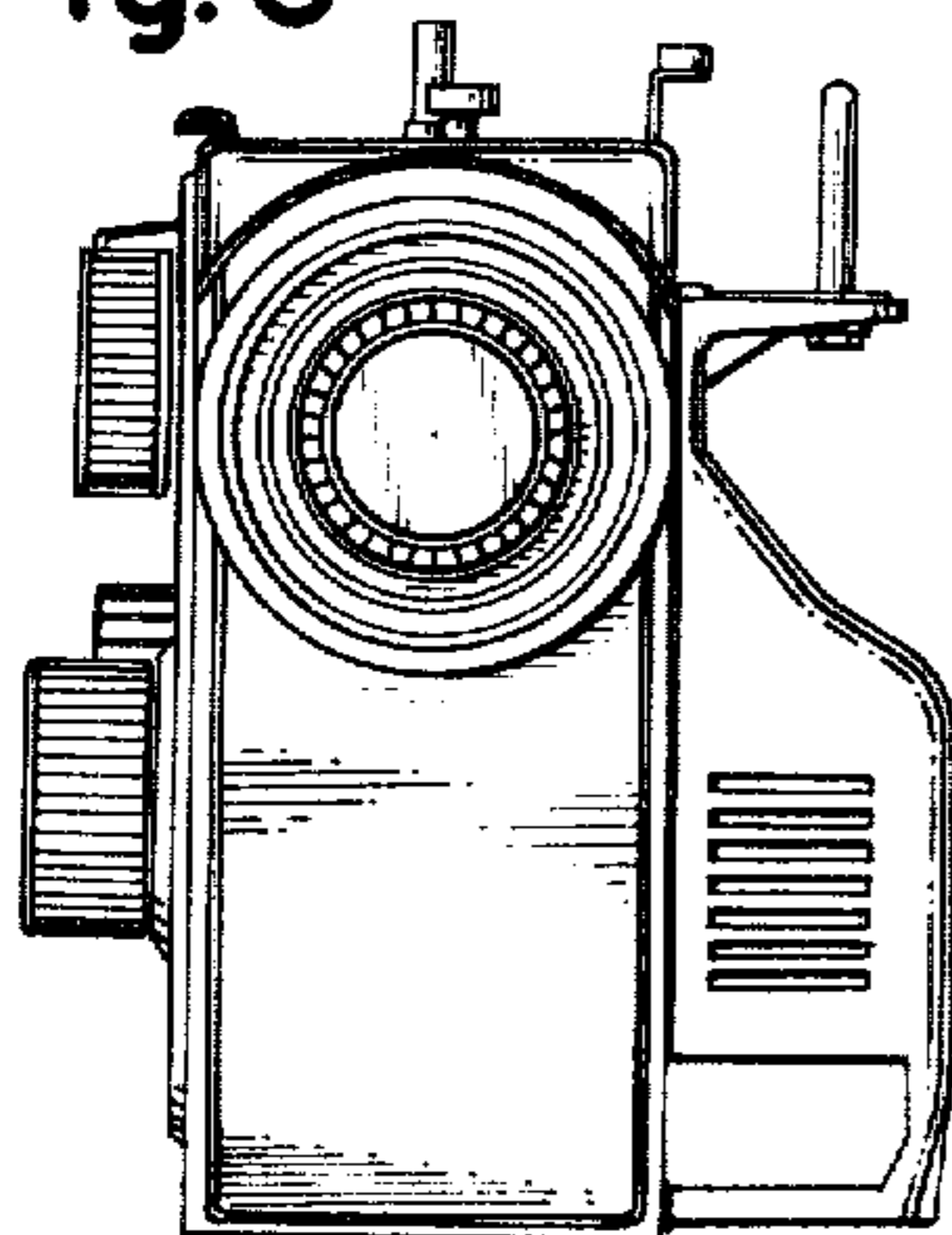


Fig. 5

