

[54] SNOW PLOW SNOW RETAINING GATE

[75] Inventor: **Gustaf Karlsson, Linkoping, Sweden**

[73] Assignee: **GK Haninge Maskiner AB,
Linkoping, Sweden**

[**] Term: **14 Years**

[21] Appl. No.: **154,438**

[22] Filed: **May 29, 1980**

[51] Int. Cl. **D12-13**
[52] U.S. Cl. **D15/12**
[58] Field of Search **D15/12; 37/41, 50**

[56] **References Cited**
U.S. PATENT DOCUMENTS

3,374,562	3/1968	Glesmann	37/50
3,411,590	11/1968	Batko	37/50
4,077,139	3/1978	Fagervold et al.	37/41
4,217,707	8/1980	Karlsson	37/41

Primary Examiner—James M. Gandy
Attorney, Agent, or Firm—James E. Nilles; James R. Custin

[57] **CLAIM**
The ornamental design for a snow plow snow retaining gate, as shown.

DESCRIPTION
FIG. 1 is a side elevational view of a snow plow retaining gate showing my new design;
FIG. 2 is an opposite side elevational view thereof;
FIG. 3 is a front elevational view thereof; and
FIG. 4 is a top plan view thereof.

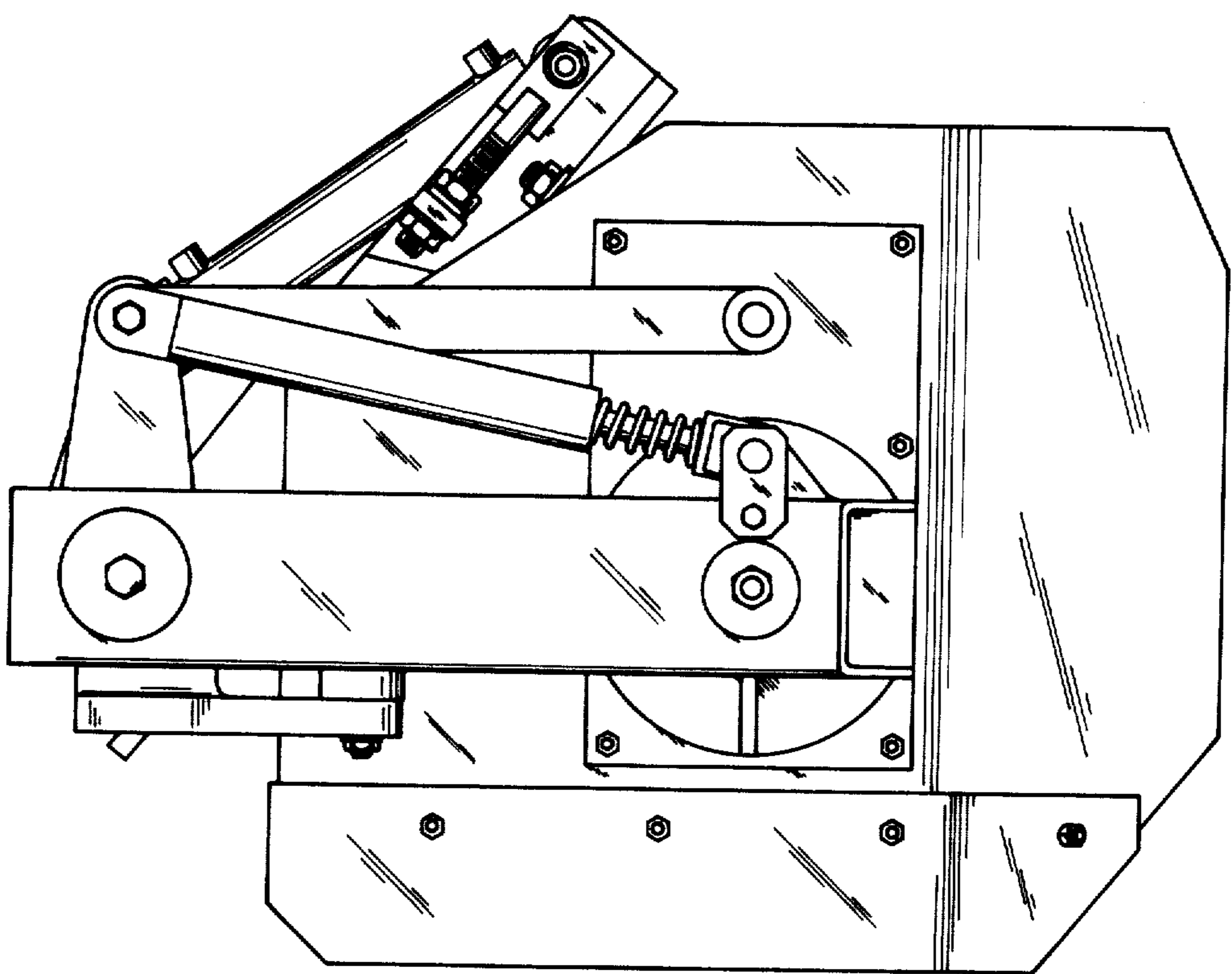


FIG. 1

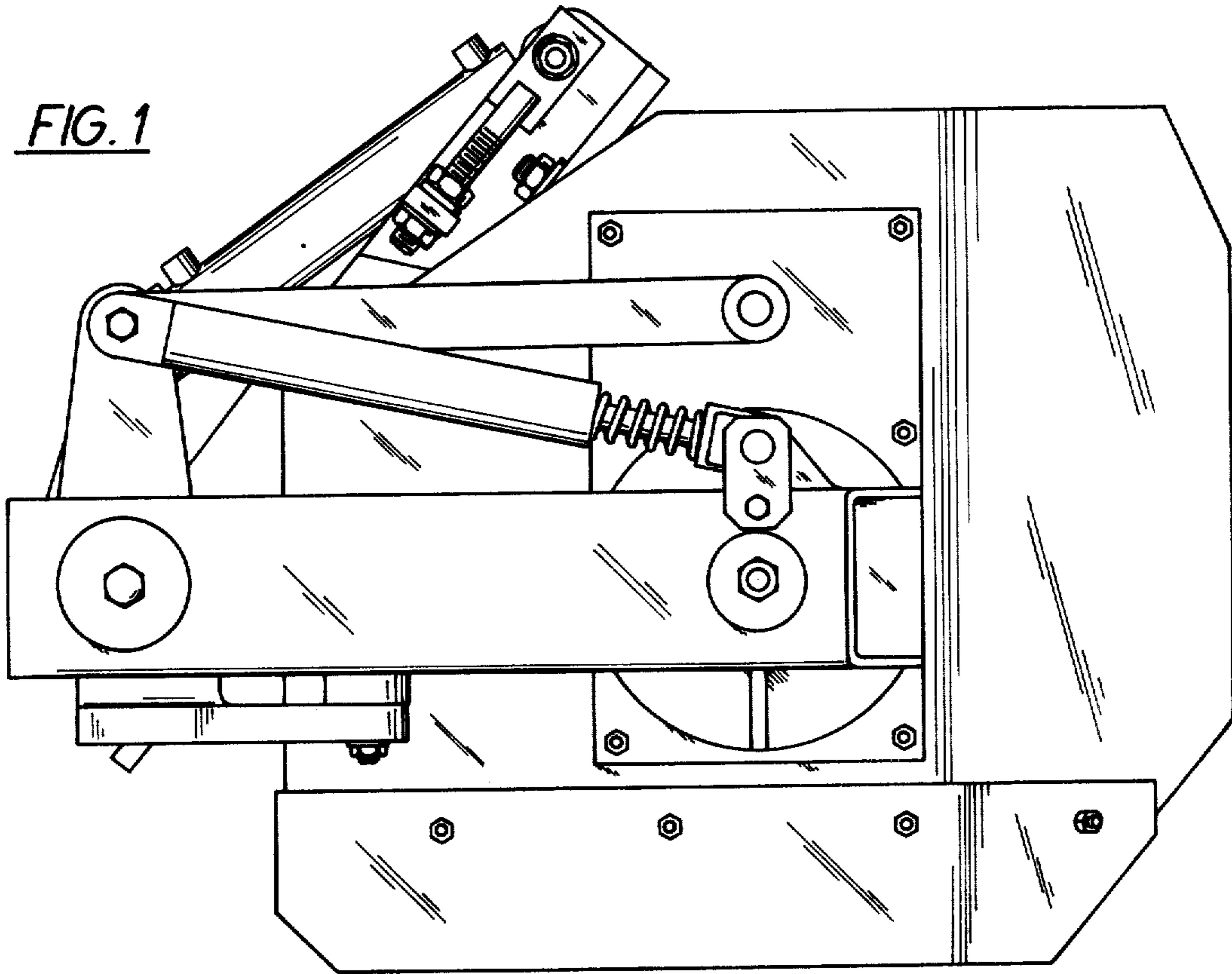
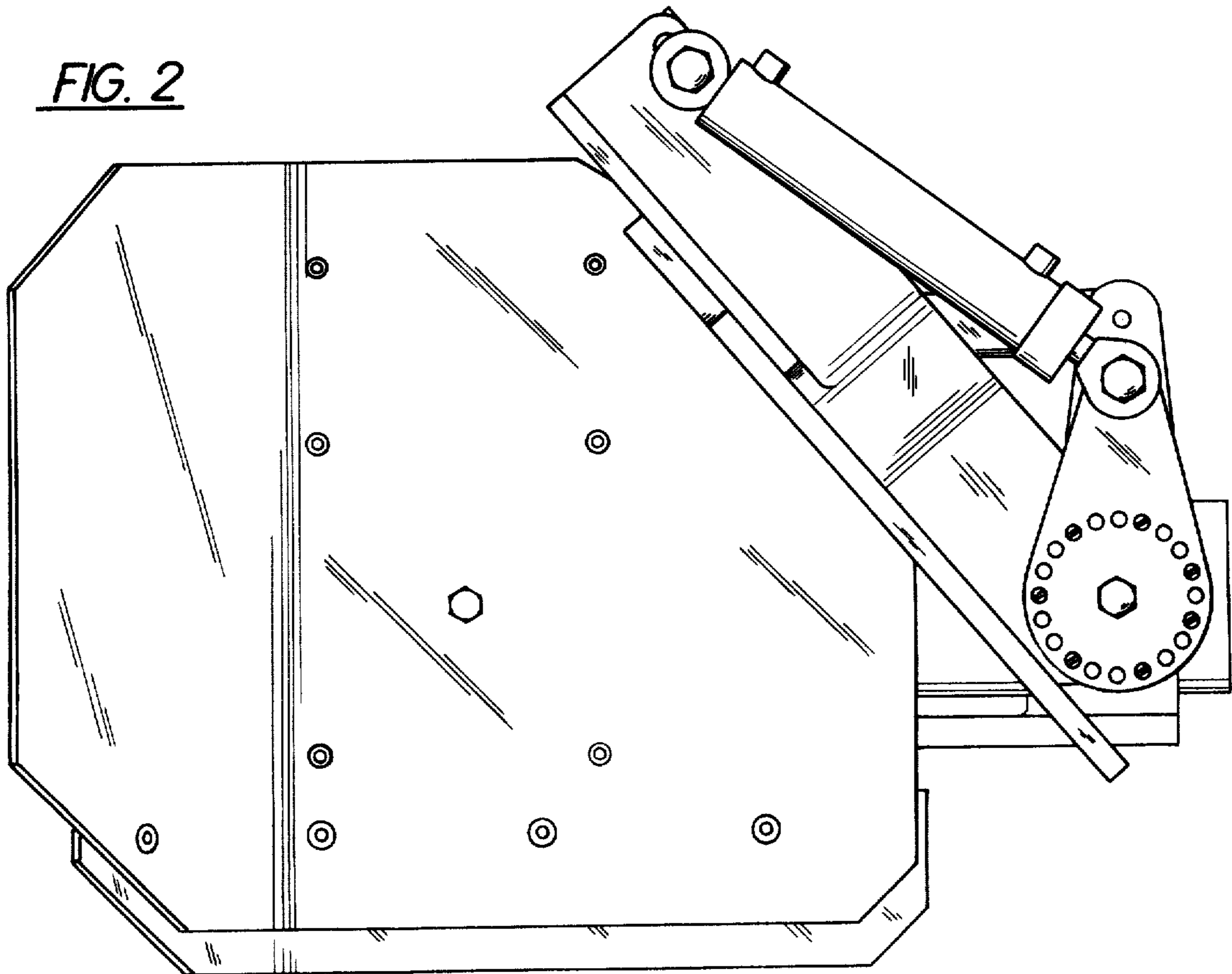


FIG. 2



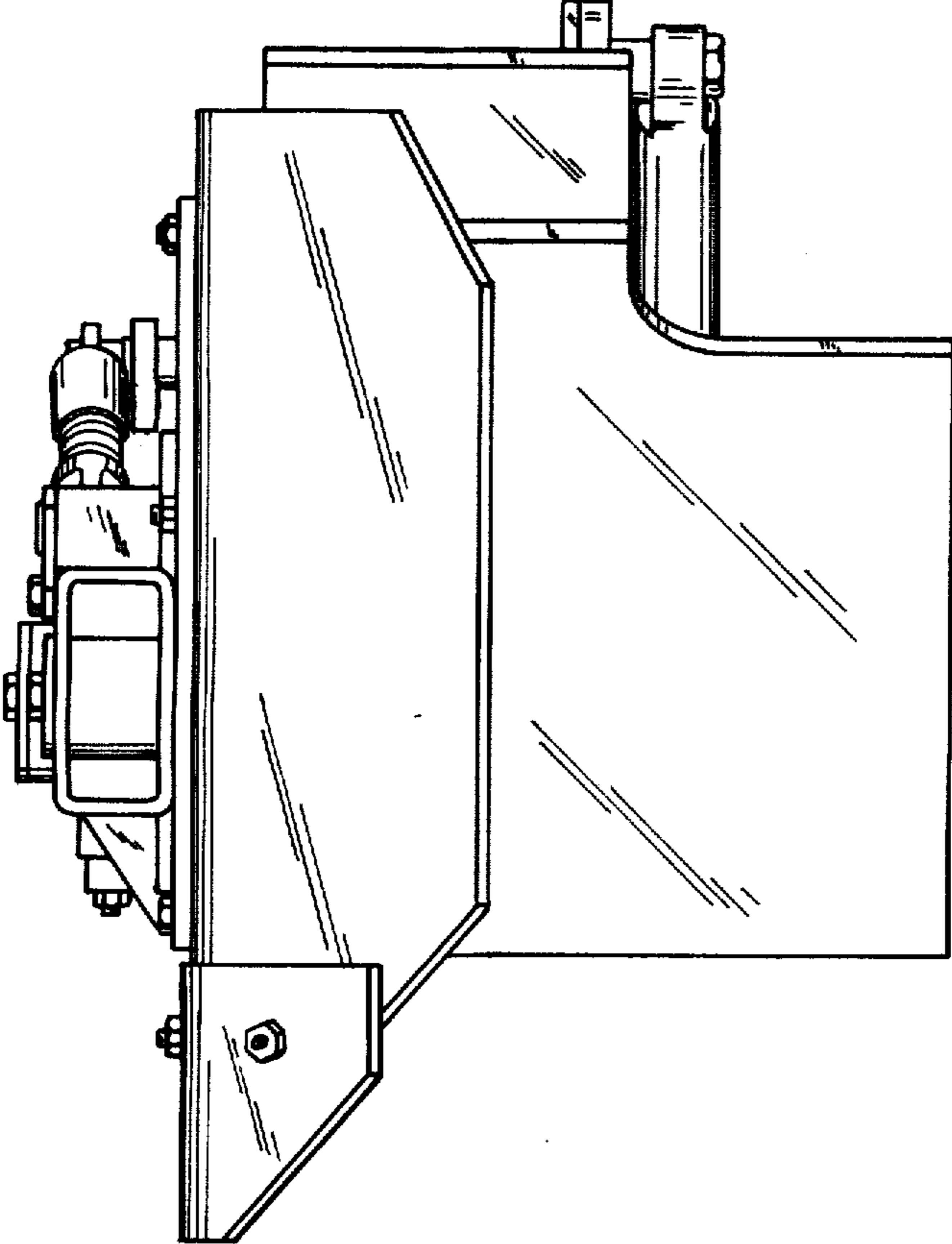


FIG. 3

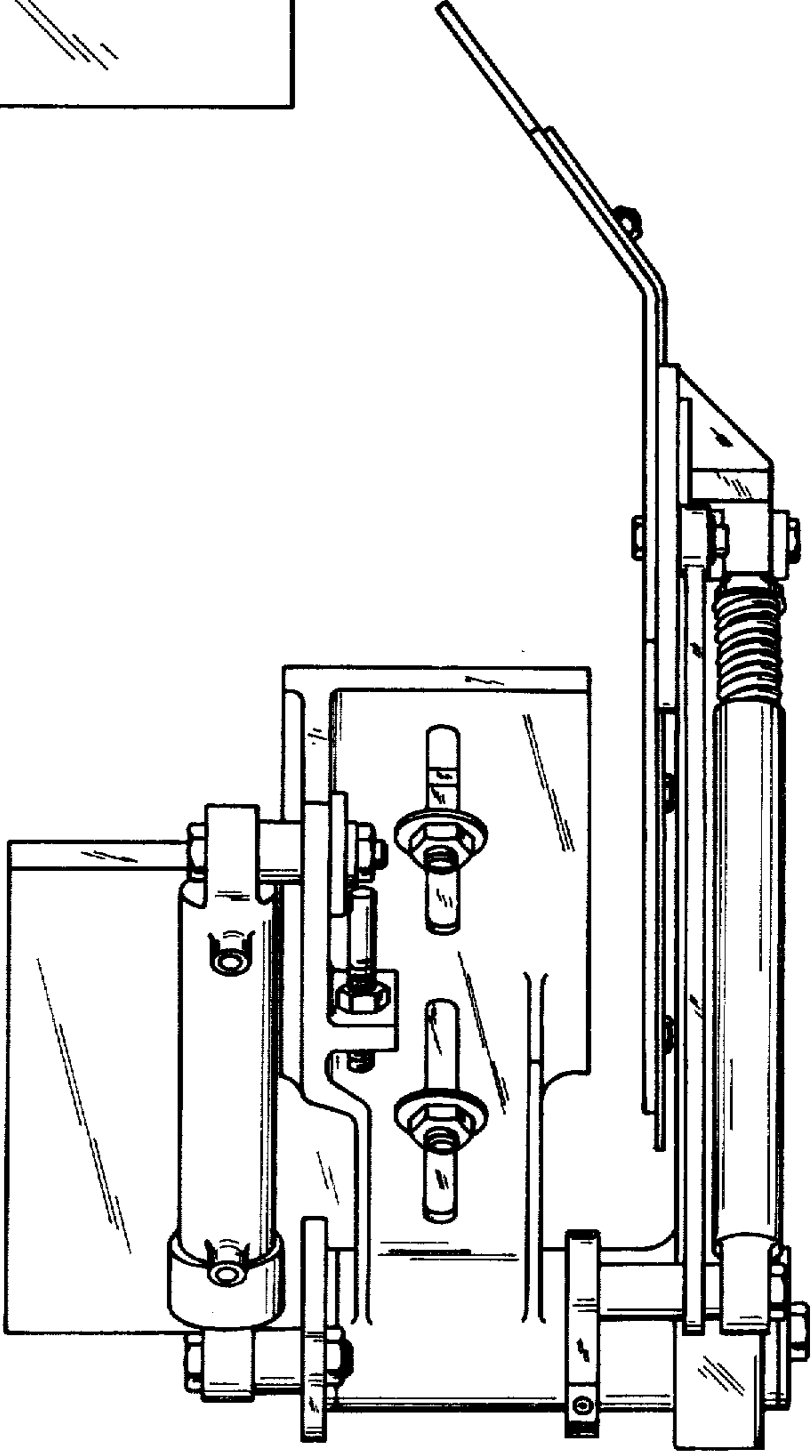


FIG. 4