

[54] MICROWAVE ANTENNA

[76] Inventors: Richard D. Bogner, 4 Hunters La., Roslyn, N.Y. 11576; Leonard H. King, 67 Southgate Rd., Valley Stream, N.Y. 11581

[**] Term: 14 Years

[21] Appl. No.: 129,759

[22] Filed: Mar. 12, 1980

[51] Int. Cl. D14-03

[52] U.S. Cl. D14/86

[58] Field of Search 343/785, 729, 833, 891; D14/86, 90

[56] References Cited

U.S. PATENT DOCUMENTS

D. 213,628	3/1969	Lawrence	D14/86
3,087,157	4/1963	Bogner	343/785 X
3,111,672	11/1963	Carr	343/785 X
3,587,108	6/1971	Bogner	343/785 X

Primary Examiner—Bernard Ansher

Attorney, Agent, or Firm—Leonard H. King

[57] CLAIM

The ornamental design for a microwave antenna, substantially as shown and described.

DESCRIPTION

FIG. 1 is a side elevation of a microwave antenna showing our new design;
 FIG. 2 is a front elevation thereof;
 FIG. 3 is a bottom plan view thereof, the undisclosed top portion being plane and unornamented;
 FIG. 4 is a front elevation of a second modified embodiment of the microwave antenna illustrated in FIG. 2;
 FIG. 5 is a front elevation of a third modified embodiment of the microwave antenna illustrated in FIG. 2;
 FIG. 6 is a top plan view of the embodiment illustrated in FIG. 5;
 FIG. 7 is a top plan view of the embodiment illustrated in FIG. 4; and
 FIG. 8 is a side elevation of the embodiment illustrated in FIGS. 4 and 5.
 Portions of the antenna are broken away for convenience of illustration only.

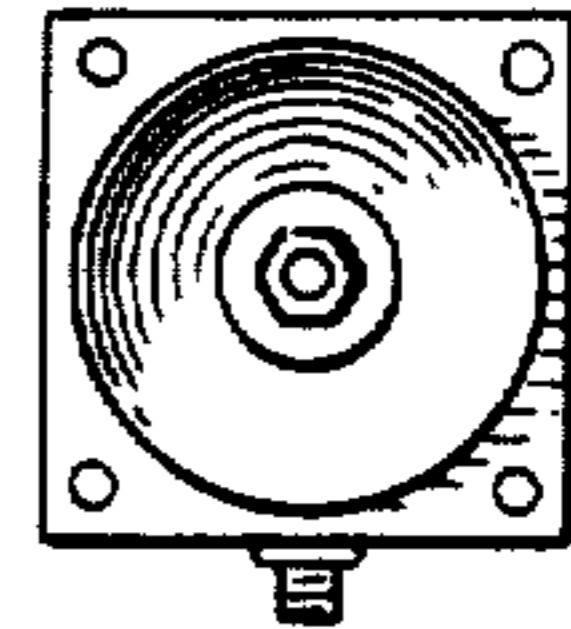
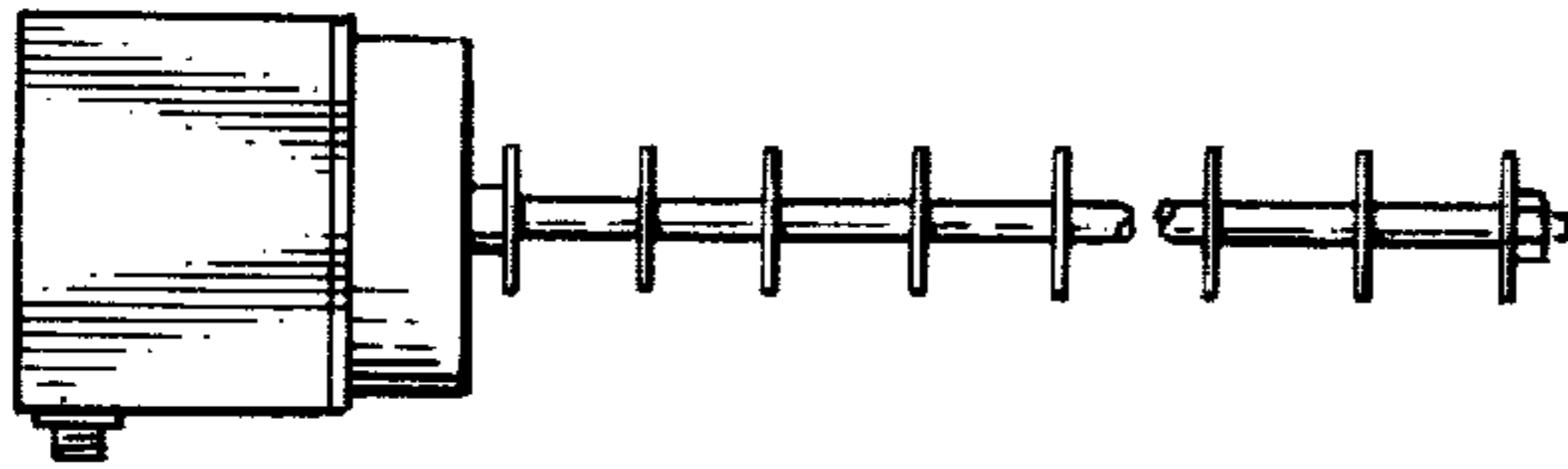


FIG. 2

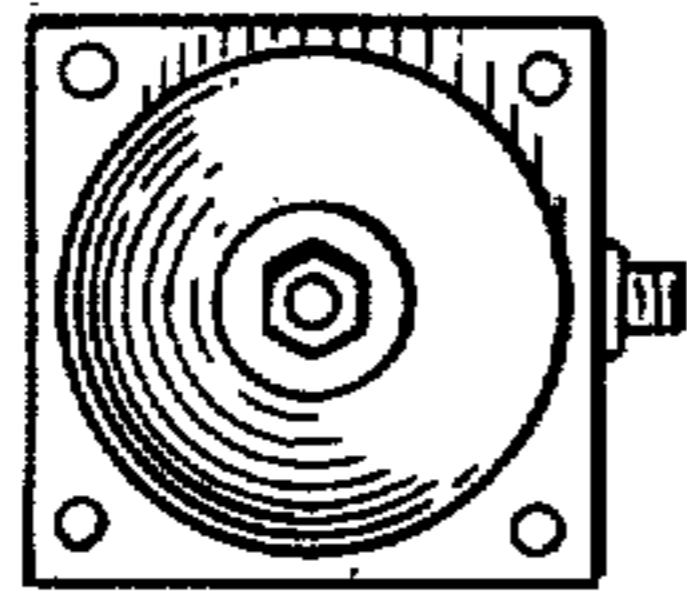


FIG. 4

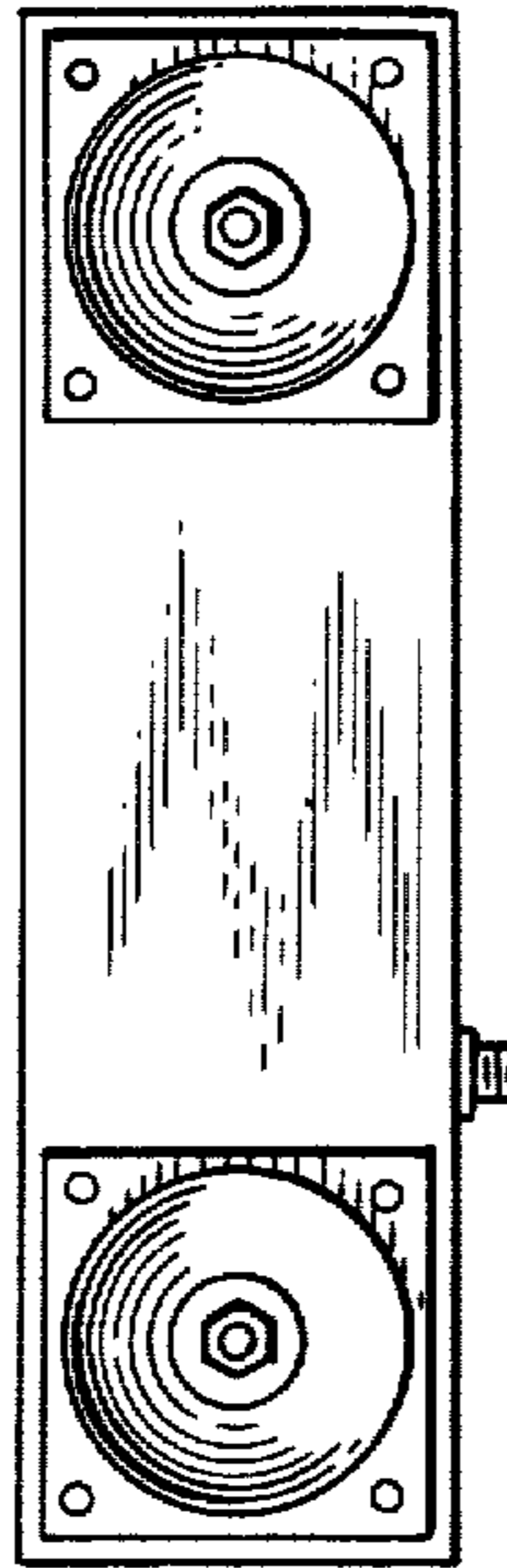


FIG. 1

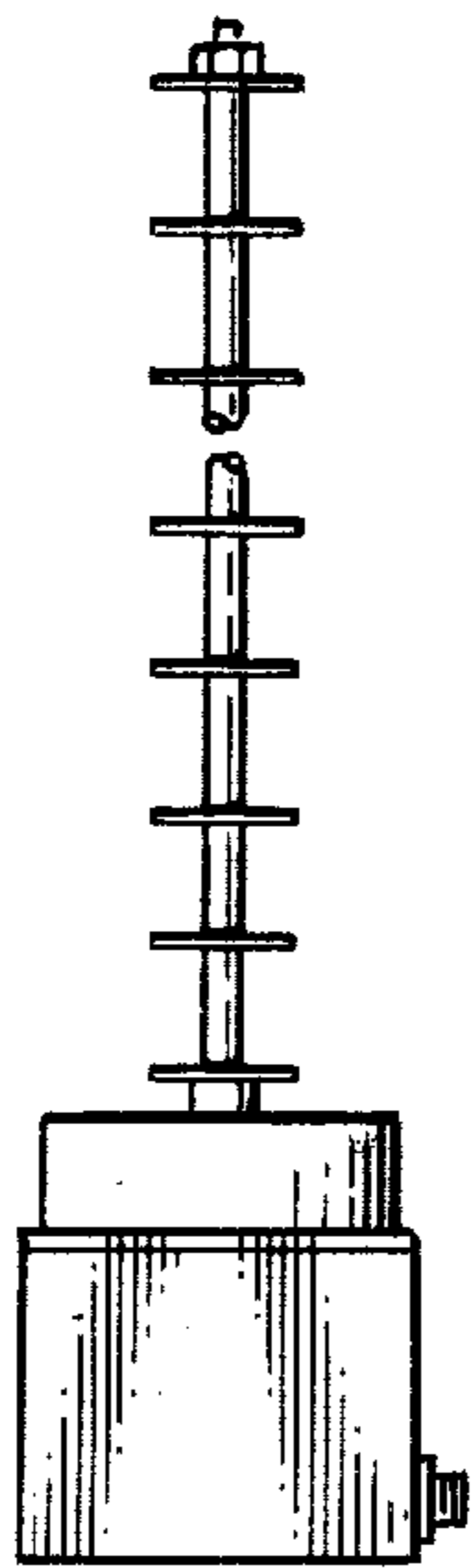


FIG. 3

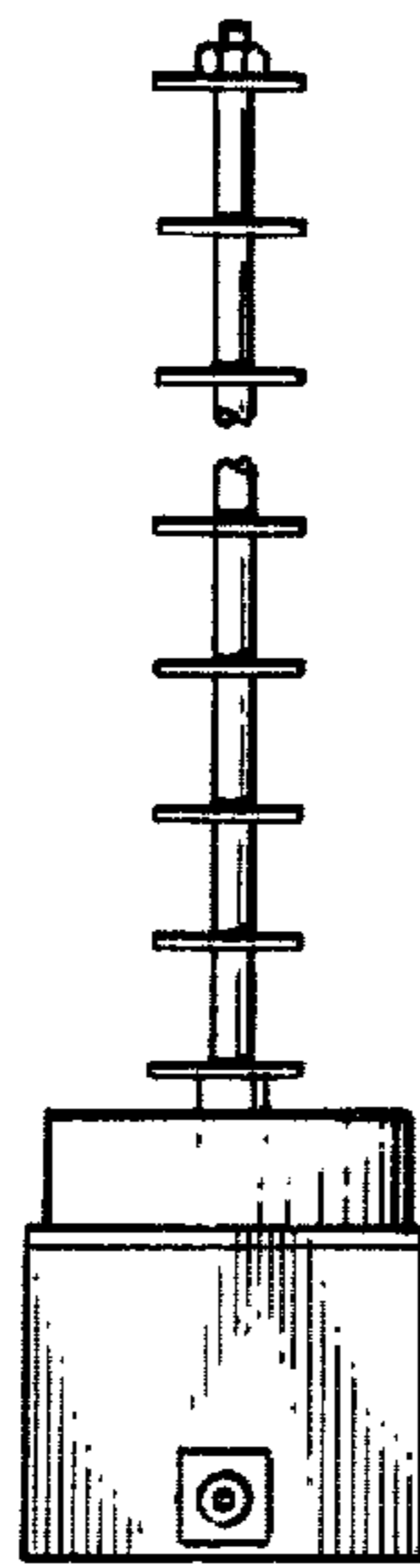
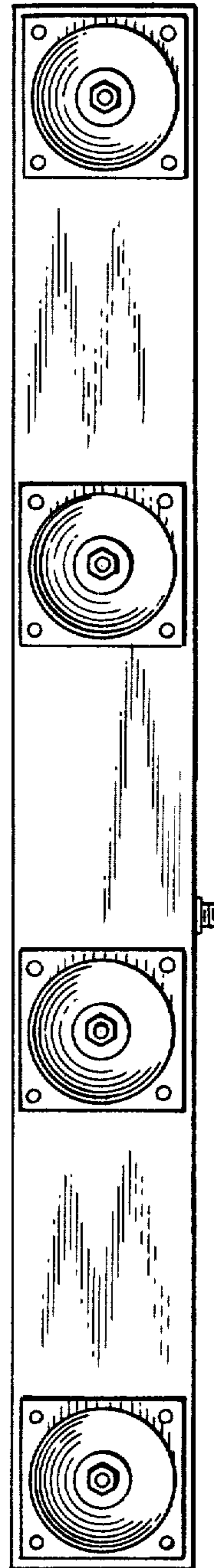


FIG. 5



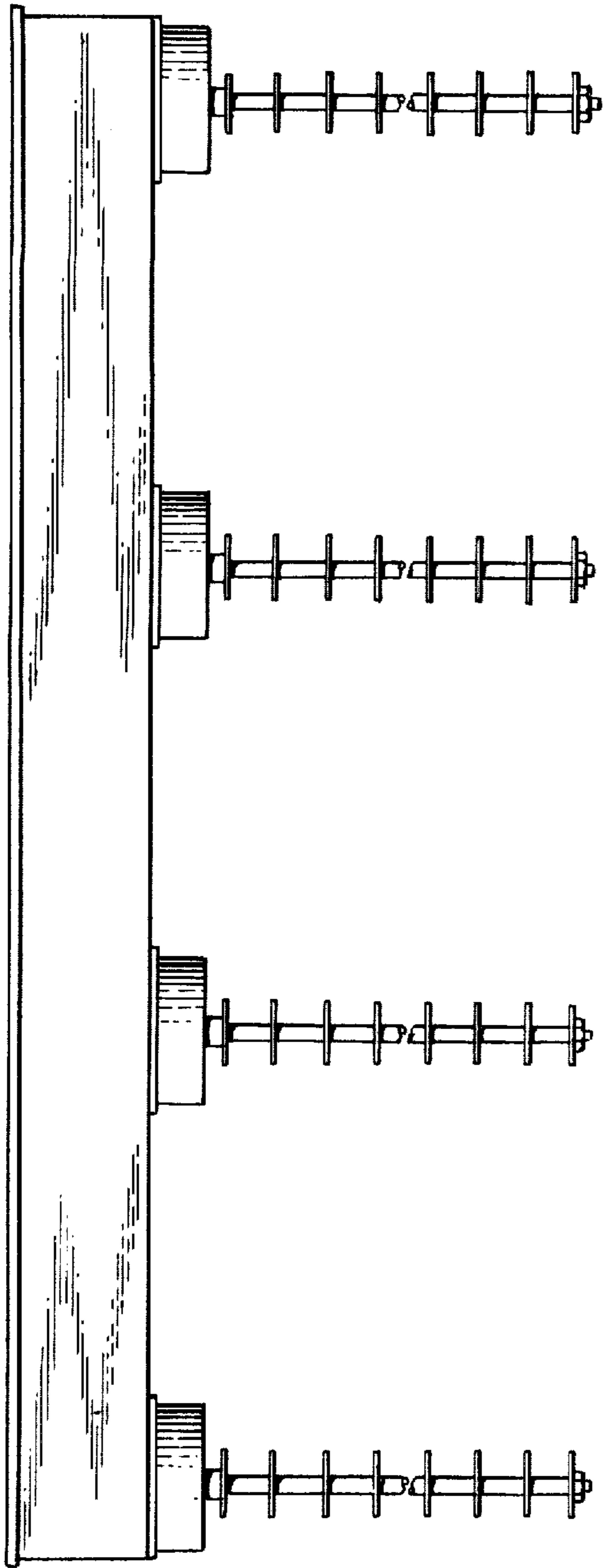


FIG. 6

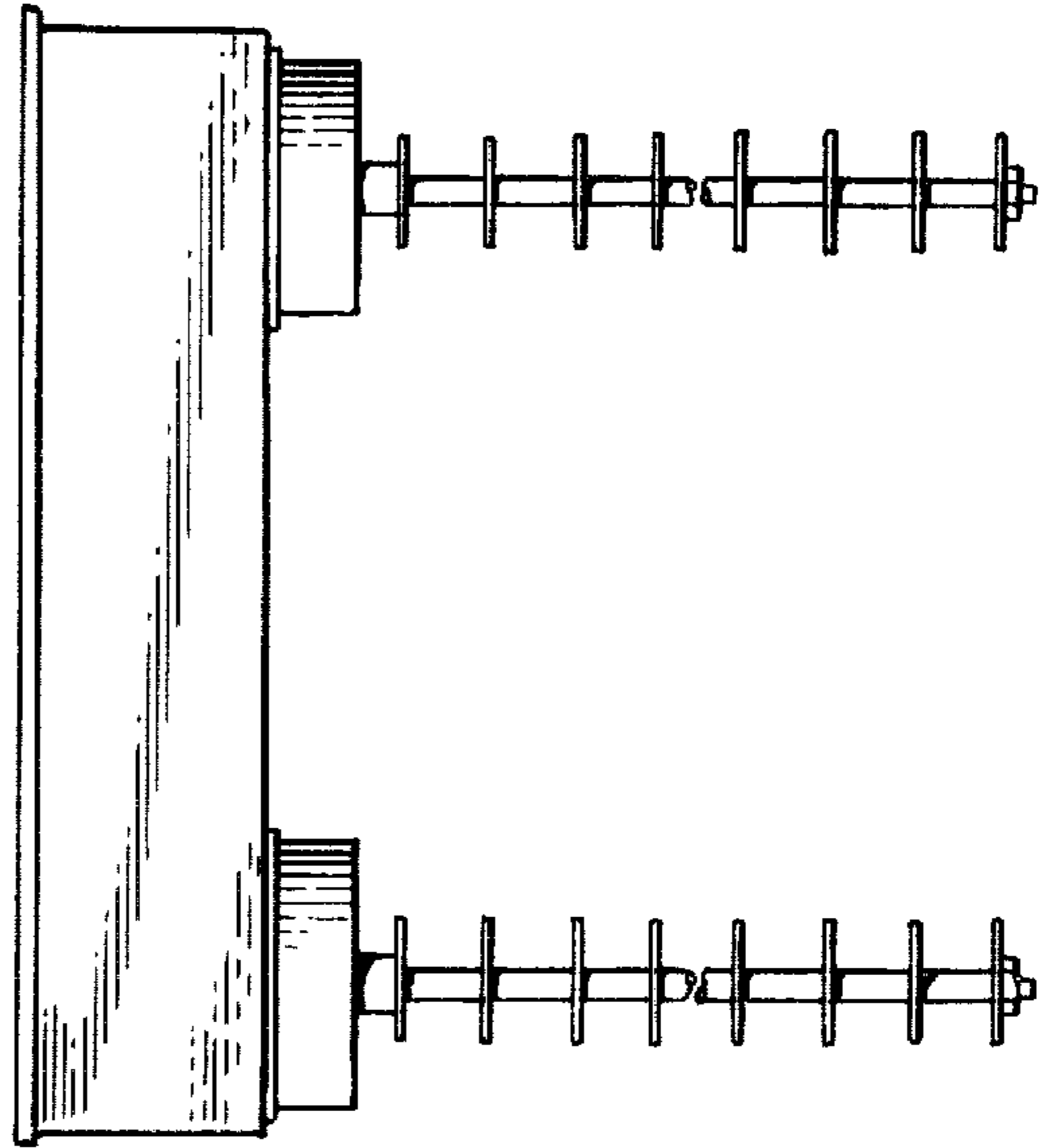


FIG. 7

FIG. 8

