

[54] **SPEAKER CABINET**
 [76] Inventor: **Steven J. Eberbach**, 950 Fountain St.,
 Ann Arbor, Mich. 48103
 [**] Term: **14 Years**
 [21] Appl. No.: **128,467**
 [22] Filed: **Mar. 7, 1980**
 [51] Int. Cl. **D14-01**
 [52] U.S. Cl. **D14/33**
 [58] Field of Search **D14/1, 14, 20, 22-24,**
D14/30, 32-34, 37-39, 99; 179/1 E, 1 DM

D. 143,376 12/1945 Weisburgh D14/20
 D. 211,180 5/1968 Boldt D14/34
 2,230,104 1/1941 Bostwick 179/1 DM
 4,270,023 5/1981 Beveridge 179/1 E X

Primary Examiner—Jane E. Corrigan
Attorney, Agent, or Firm—James M. Deimen

[57] **CLAIM**

The ornamental design for a speaker cabinet, as shown.

DESCRIPTION

FIG. 1 is a rear and top perspective view of a speaker cabinet showing my new design;
 FIG. 2 is a top plan view;
 FIG. 3 is a front elevational view;
 FIG. 4 is a rear elevational view;
 FIG. 5 is a left side elevational view; and
 FIG. 6 is a bottom plan view.

[56] **References Cited**
U.S. PATENT DOCUMENTS
 D. 76,488 10/1928 Lund D14/22
 D. 93,450 10/1934 Brown D14/22

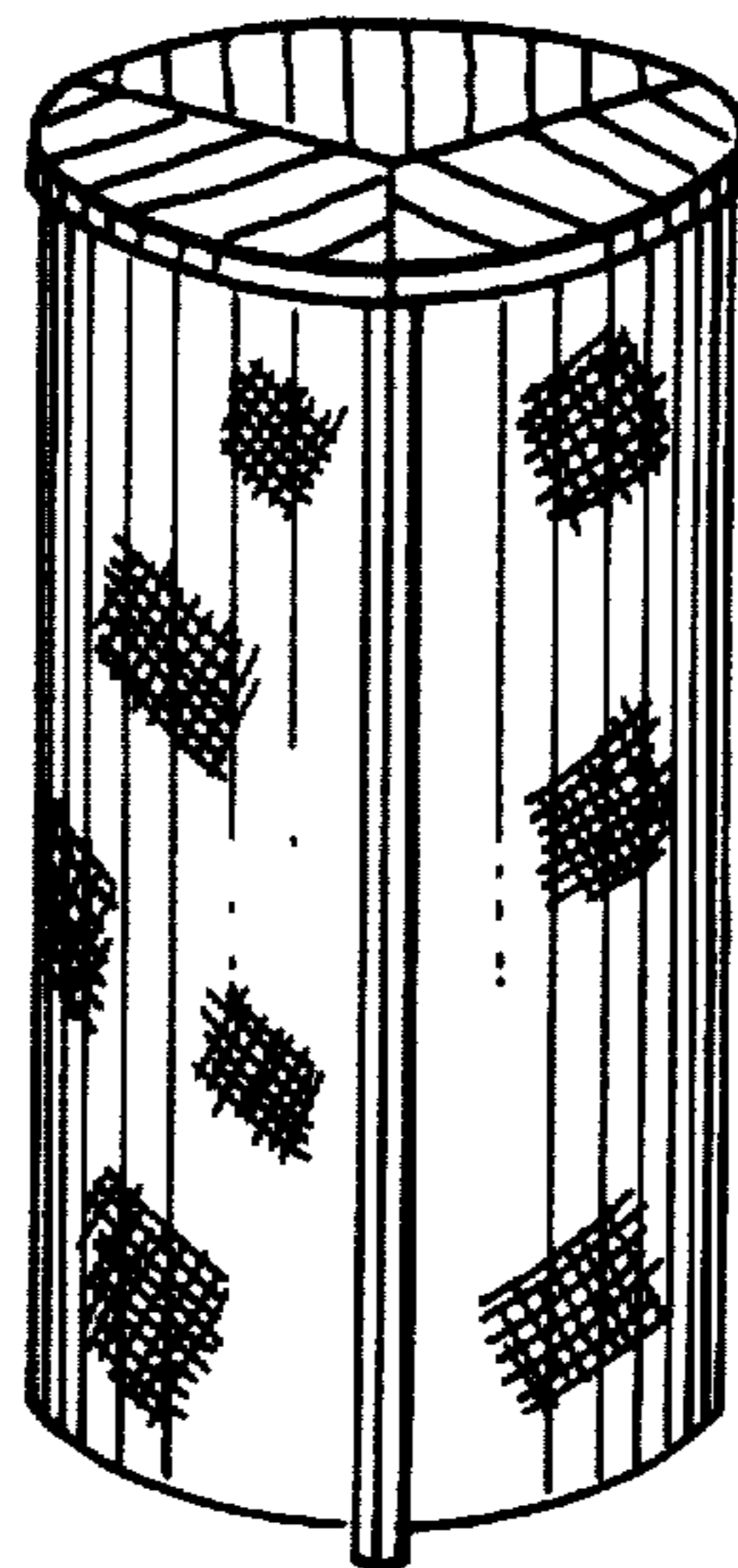


FIG. 2

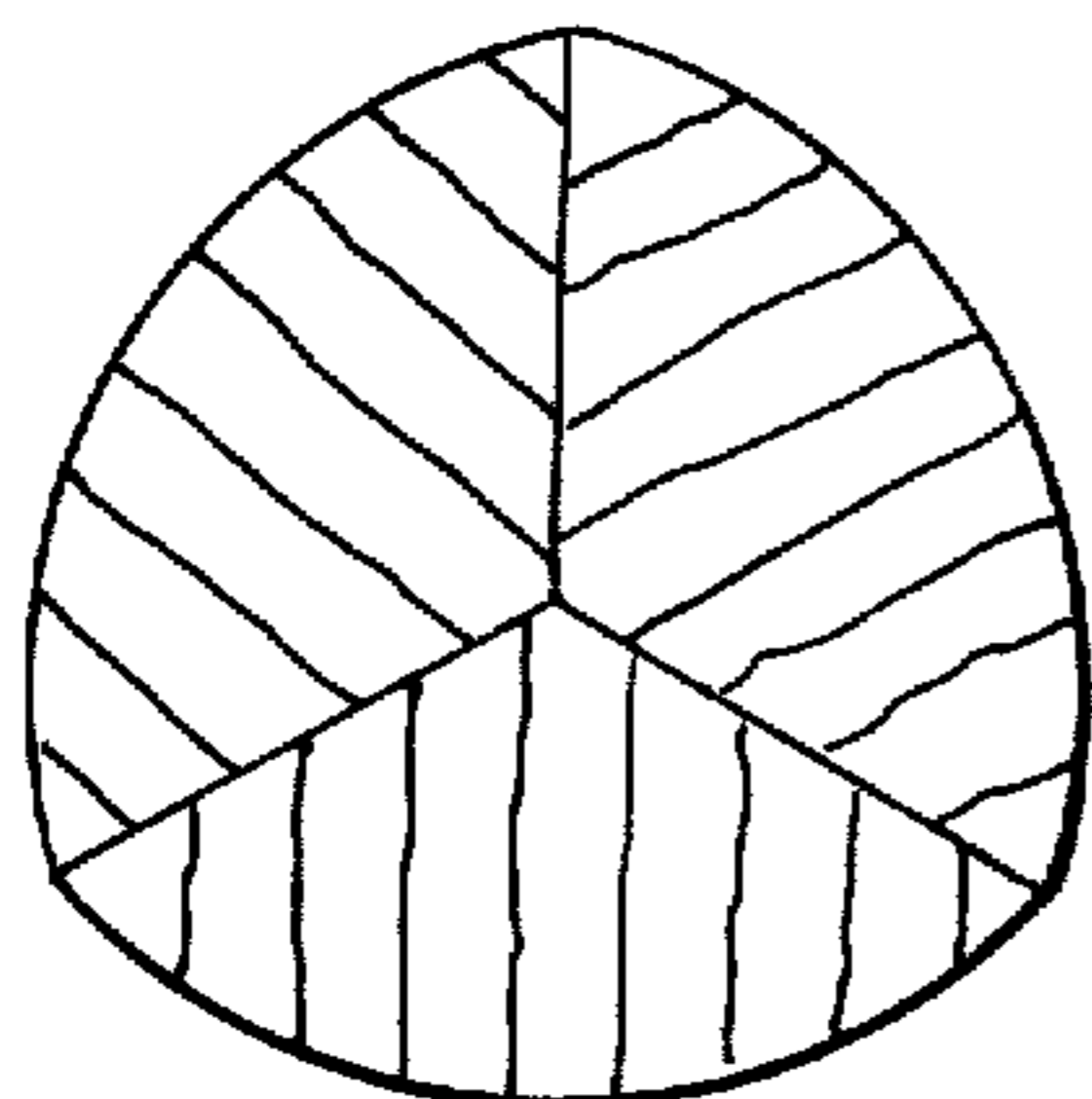


FIG. 1

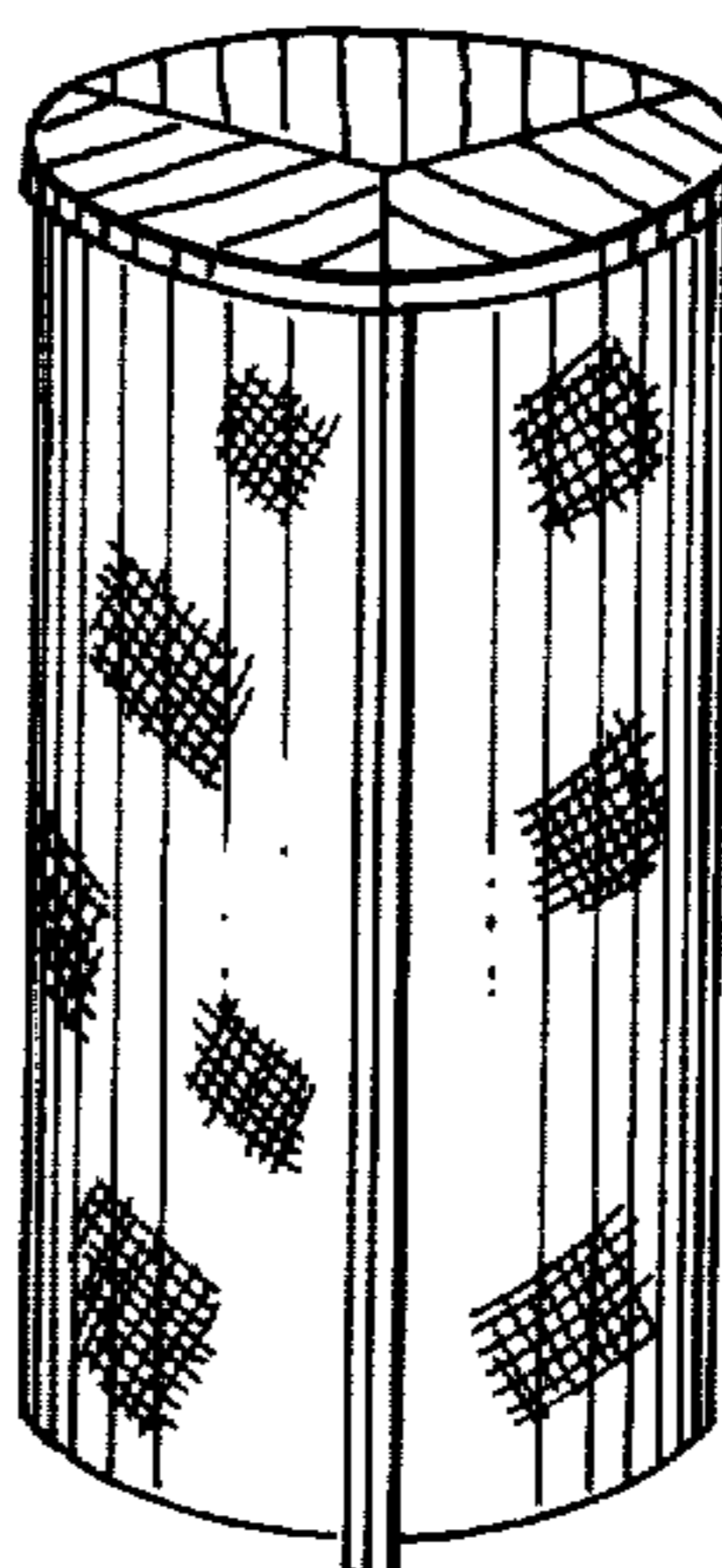


FIG. 6

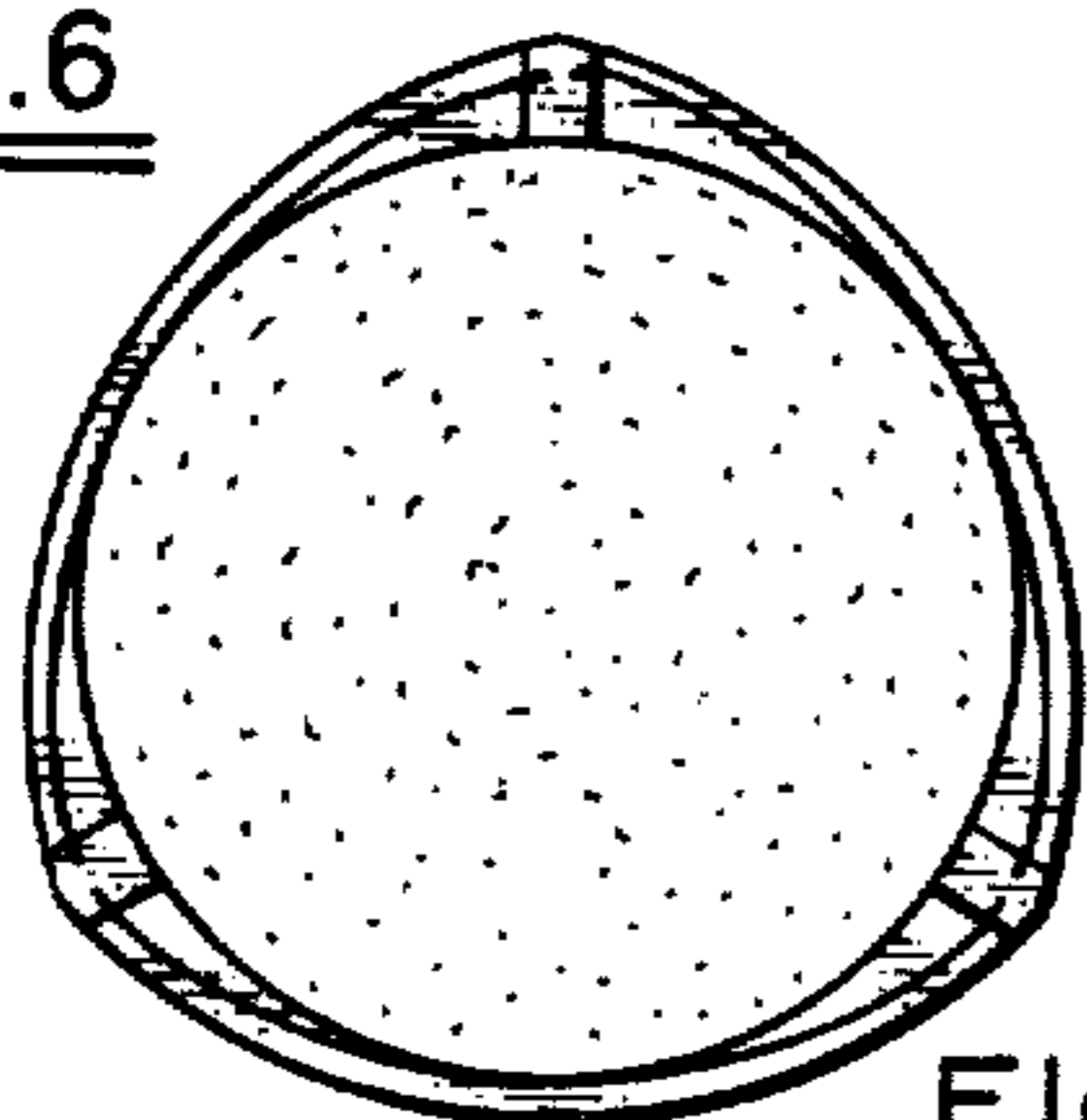


FIG. 3

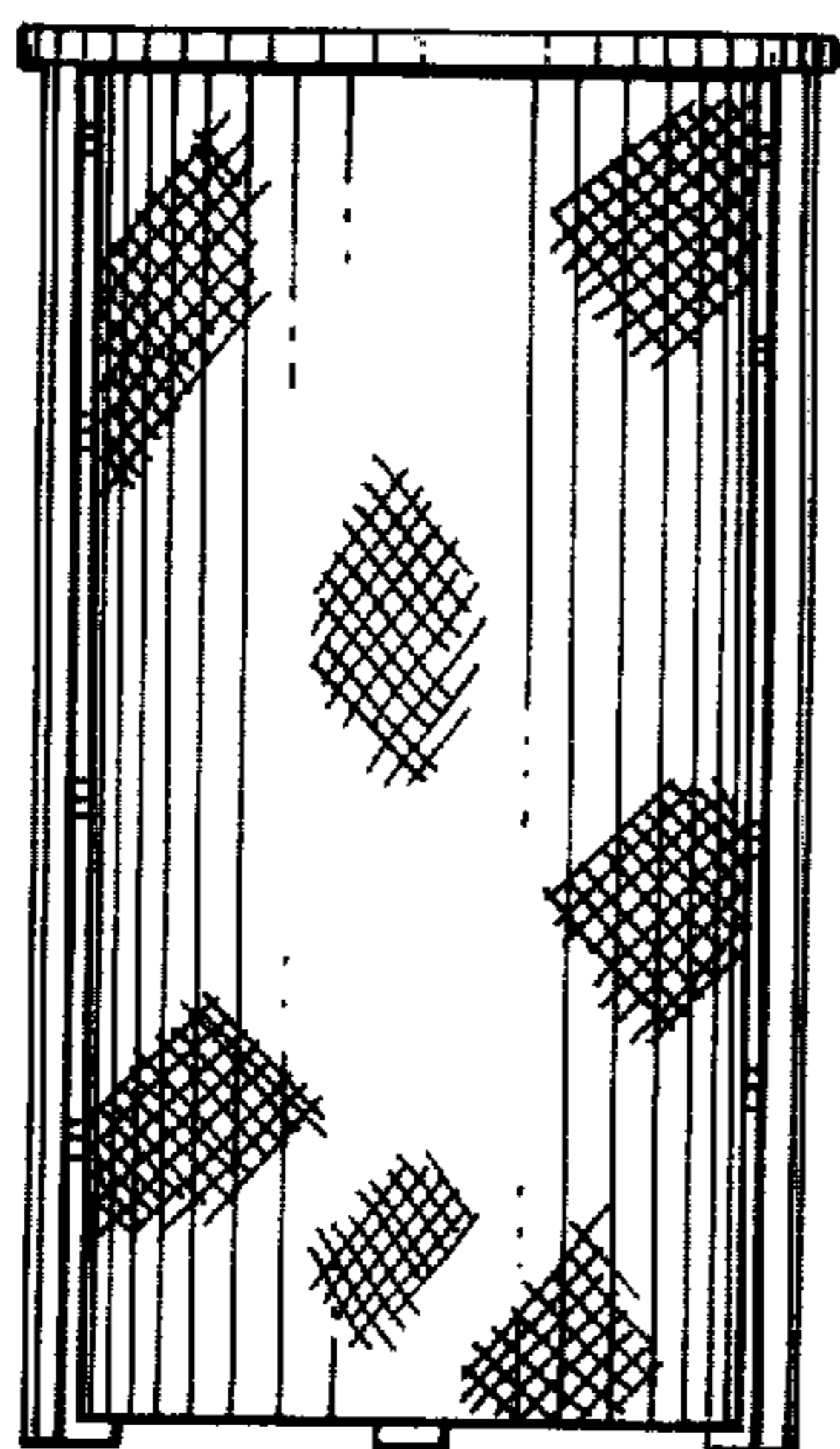


FIG. 4

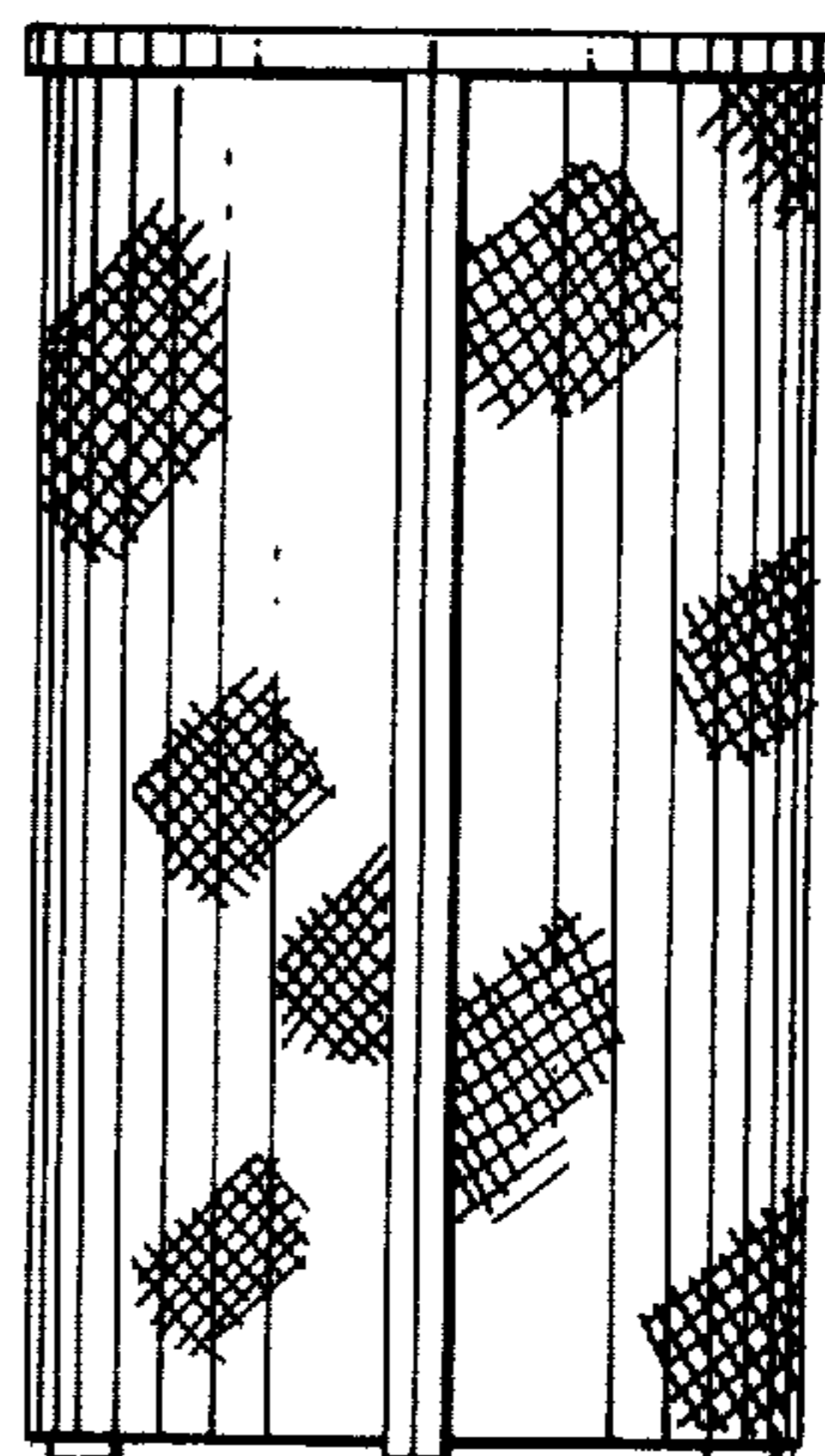


FIG. 5

