

[54] BATTERY CHARGER SYSTEM

[75] Inventor: Lawrence E. House, II, Baltimore, Md.

[73] Assignee: Black & Decker Inc., Newark, Del.

[**] Term: 14 Years

[21] Appl. No.: 86,361

[22] Filed: Oct. 17, 1979

[51] Int. Cl. D13-02

[52] U.S. Cl. D13/5

[58] Field of Search D13/5, 6; 320/2

[56] References Cited

U.S. PATENT DOCUMENTS

D. 194,790	3/1963	Neuhardt et al.	D13/6
D. 215,303	9/1969	Carpenter	D13/6
3,183,891	5/1965	MacDonald	320/2
3,348,116	10/1967	Freeman et al.	320/2
4,225,814	9/1980	Gantz et al.	320/2

FOREIGN PATENT DOCUMENTS

2702129	1/1977	Fed. Rep. of Germany .
45-1195209	6/1970	Japan .

Primary Examiner—Peter M. Caun

Attorney, Agent, or Firm—Harold Weinstein; Edward D. Murphy; Walter Ottesen

[57] CLAIM

The ornamental design for a battery charger system, as shown.

DESCRIPTION

FIG. 1 is an exploded perspective view of a battery charger system including a detachable tray for releasably holding a suitable battery pack (shown in phantom in FIG. 2);

FIG. 2 is a perspective view of the battery charger system of FIG. 1 showing a detachable battery pack in phantom for illustrative purposes only;

FIG. 3 is a front elevational view of the tray;

FIG. 4 is a rear elevational view of the tray;

FIG. 5 is a top plan view of the tray;

FIG. 6 is a bottom plan view of the tray;

FIG. 7 is a left side elevational view of the tray;

FIG. 8 is a right side elevational view of the tray;

FIG. 9 is a top plan view of the charger;

FIG. 10 is a bottom plan view of the charger;

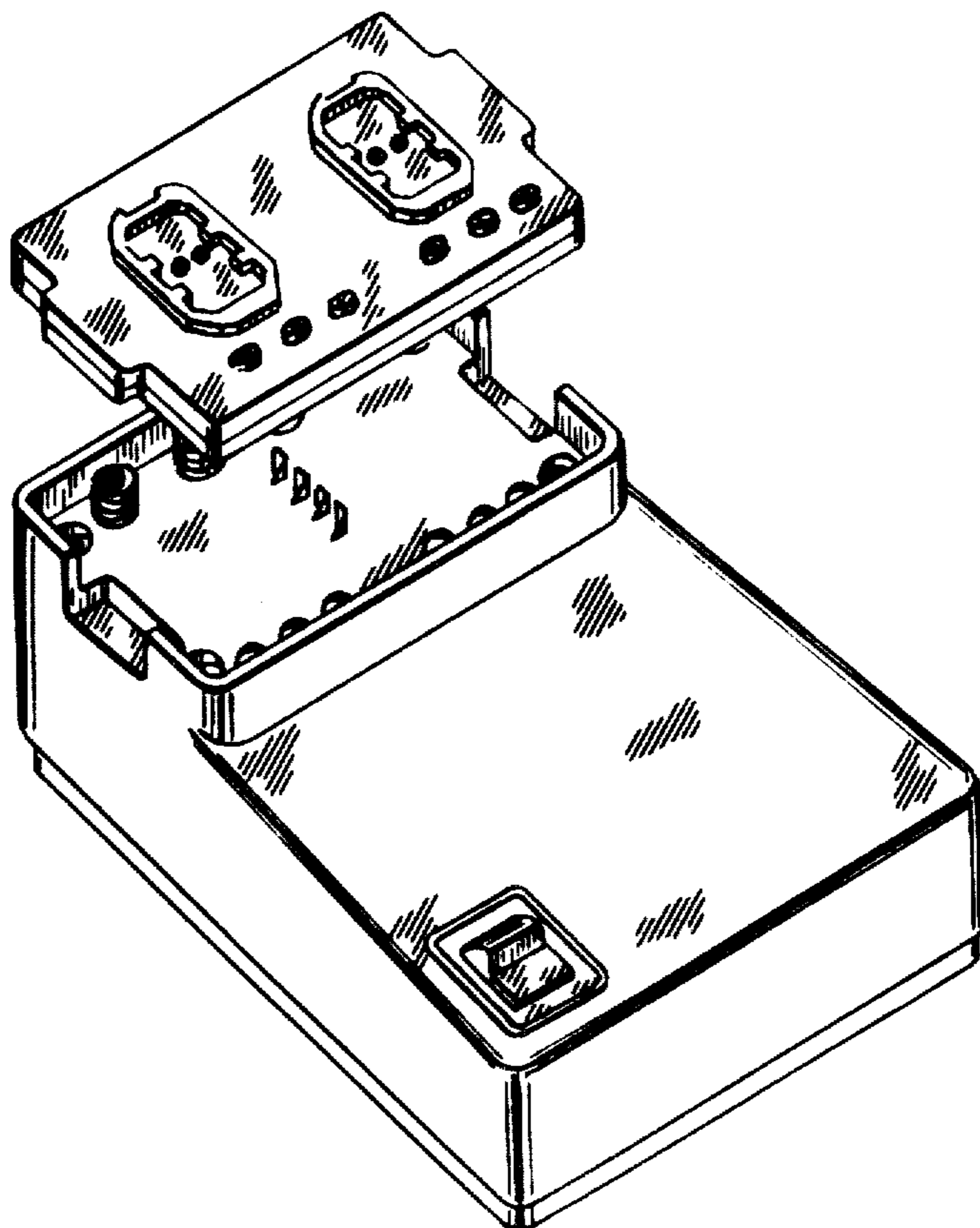
FIG. 11 is a front elevational view of the charger;

FIG. 12 is a right side elevational view of the charger;

FIG. 13 is a rear elevational view of the charger; and

FIG. 14 is a left side elevational view of the charger.

FIGS. 3-14 are shown separately for purposes of clarity of illustration only.



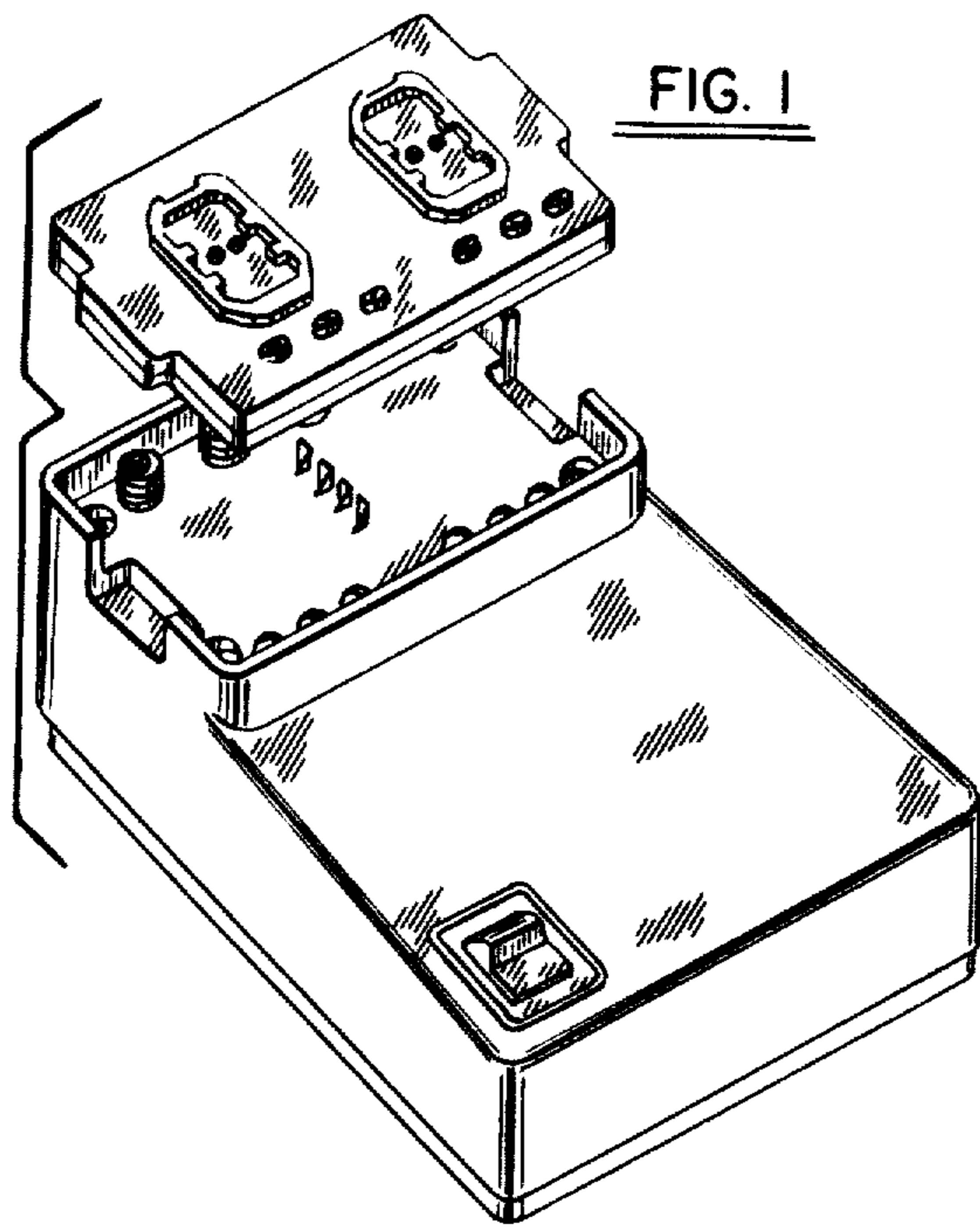


FIG. 1

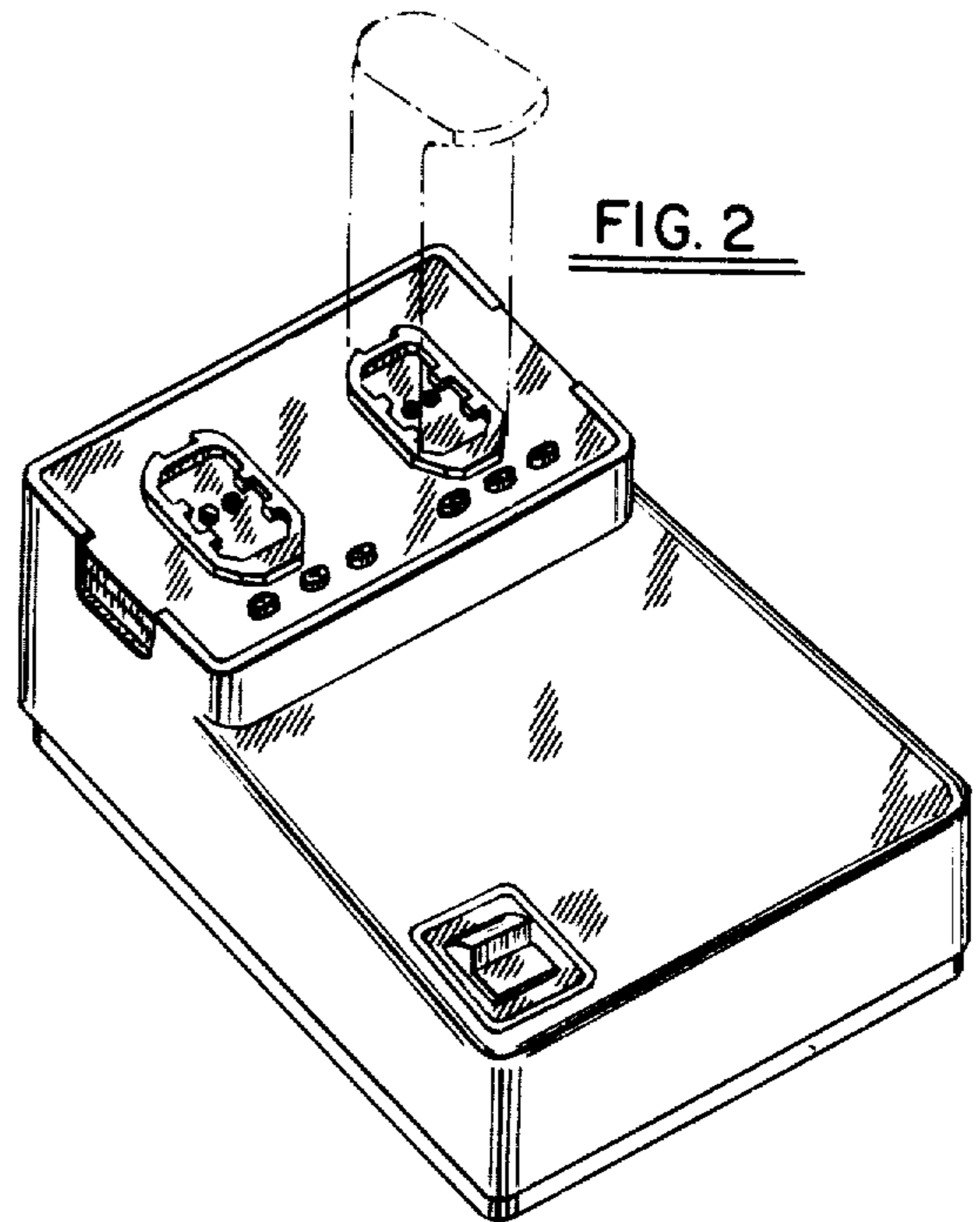


FIG. 2

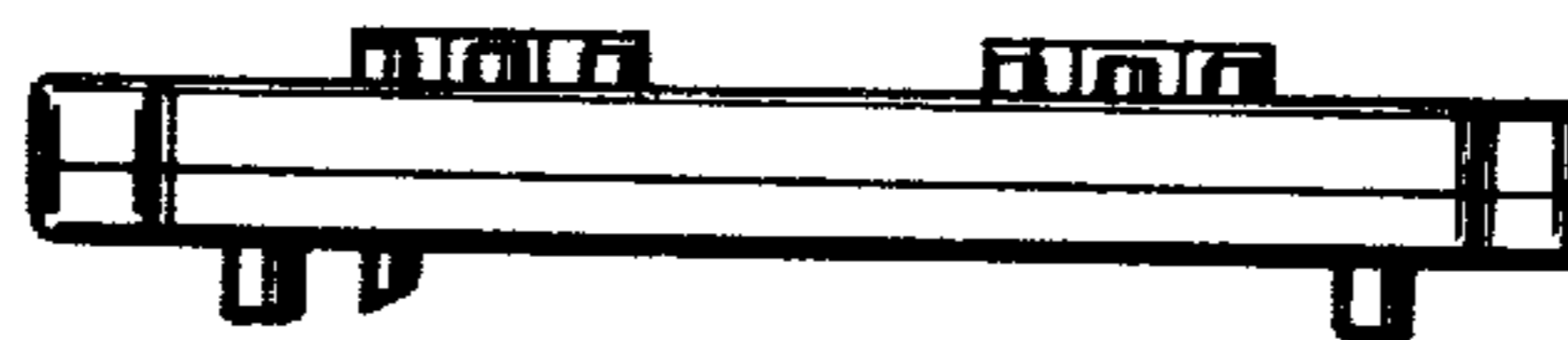


FIG. 3

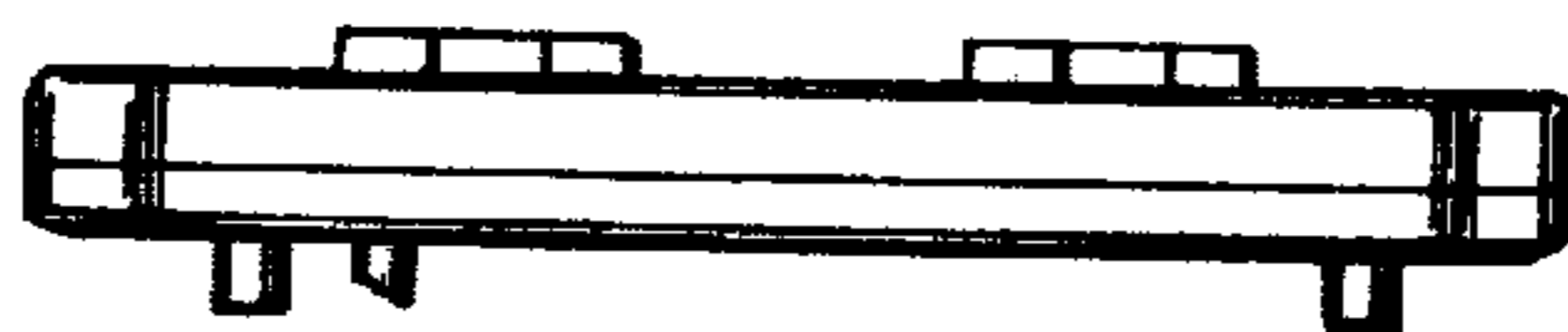


FIG. 4

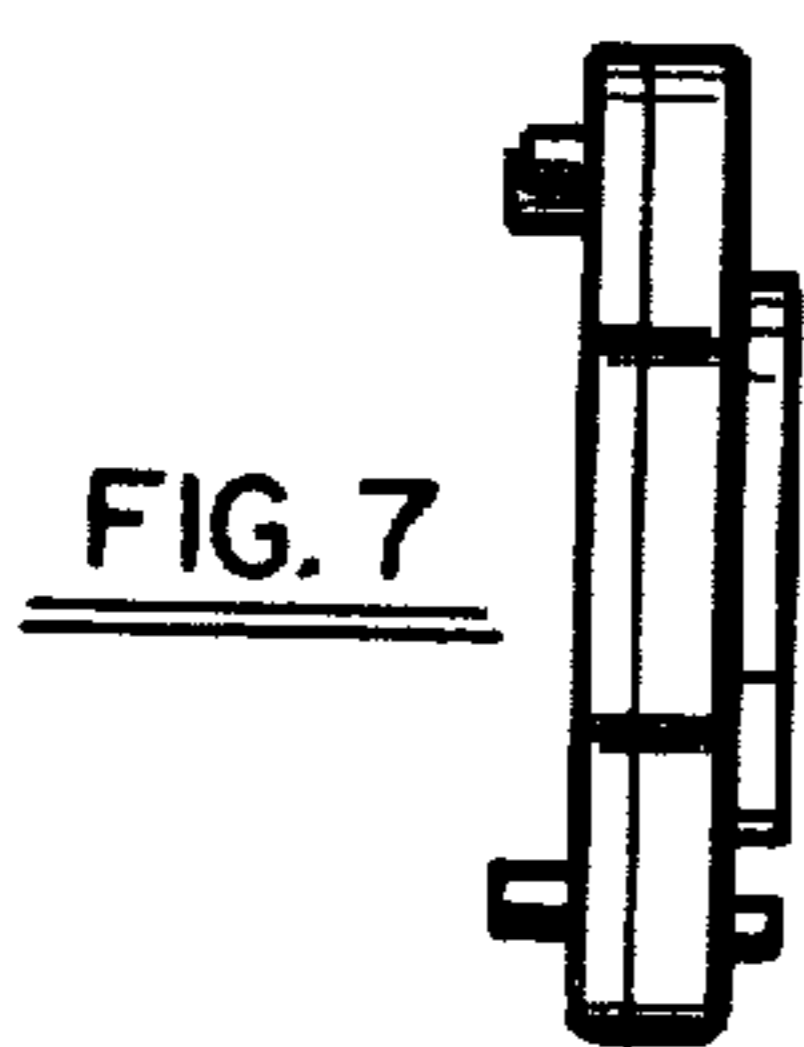


FIG. 7

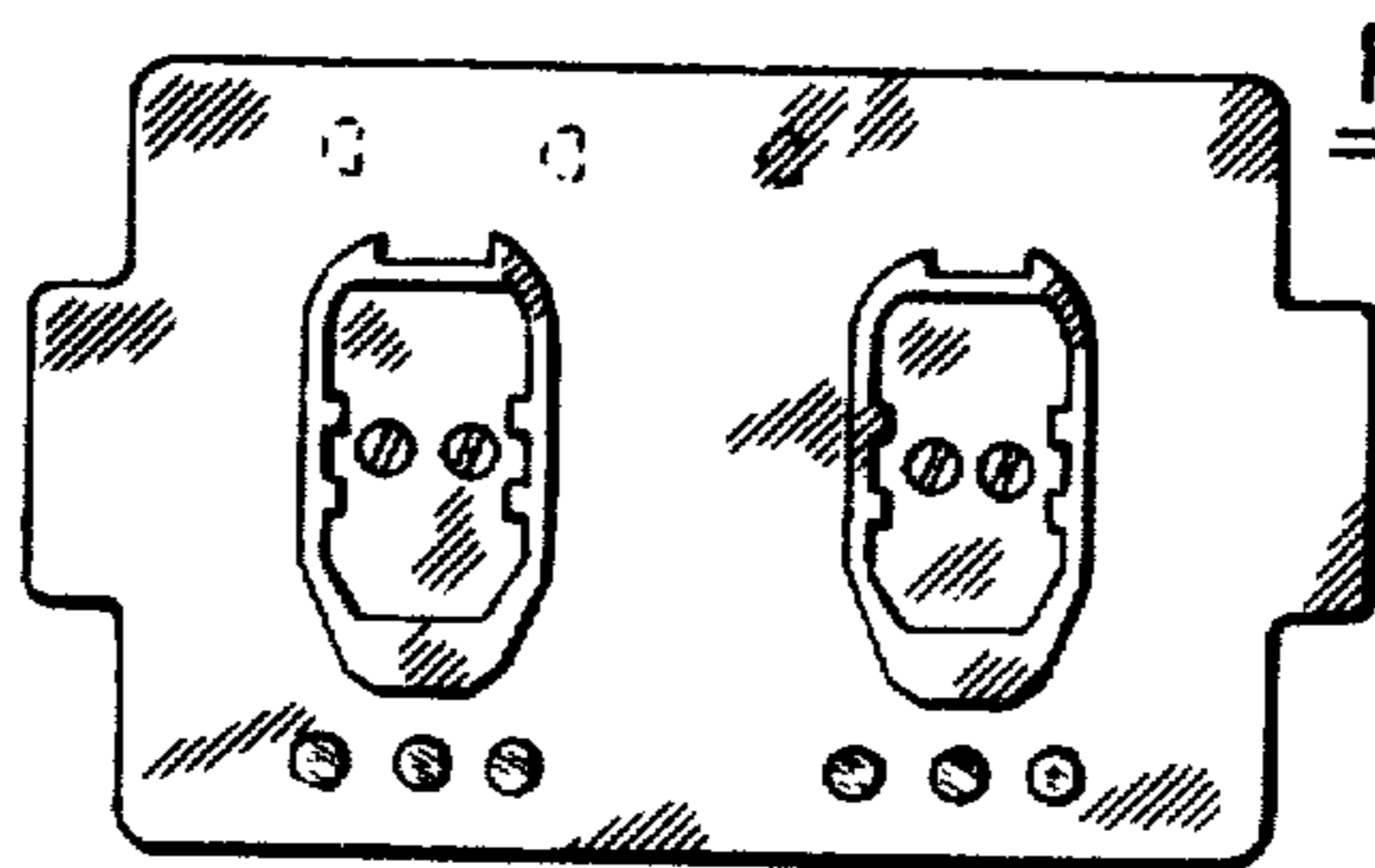


FIG. 5

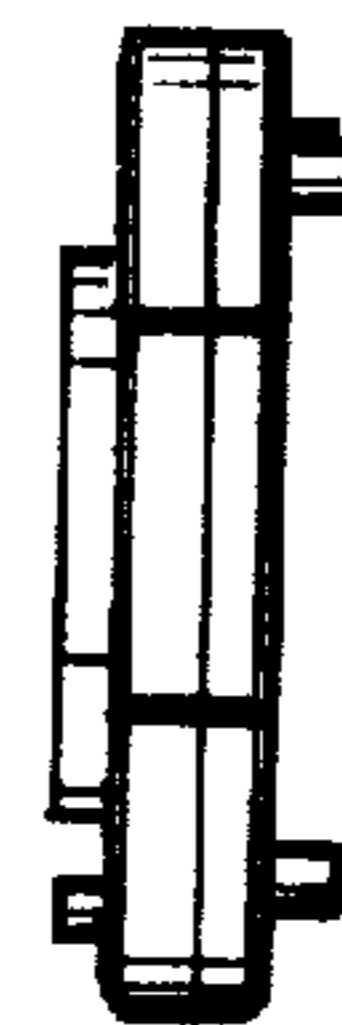


FIG. 8

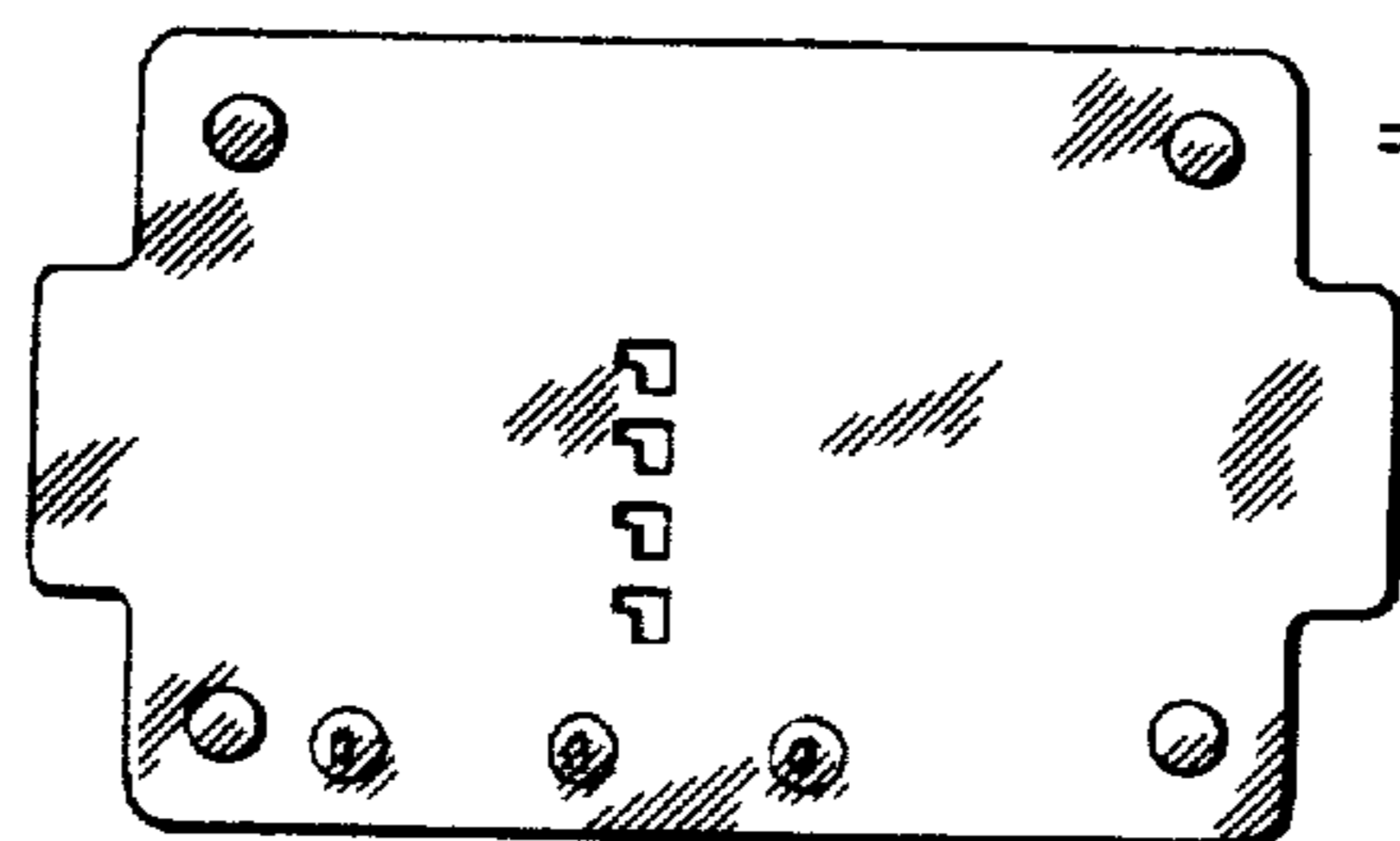


FIG. 6

FIG. 9

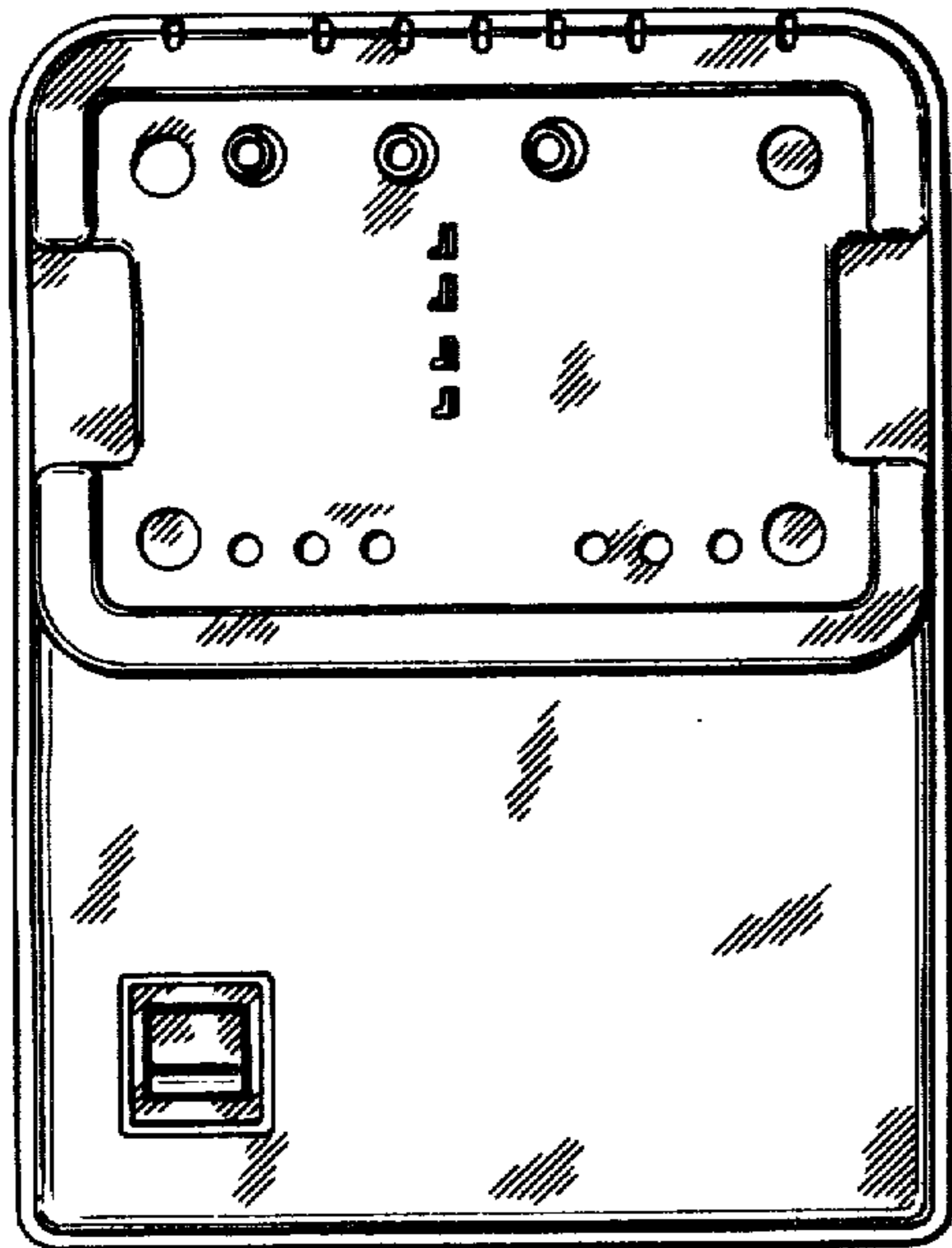


FIG. 10

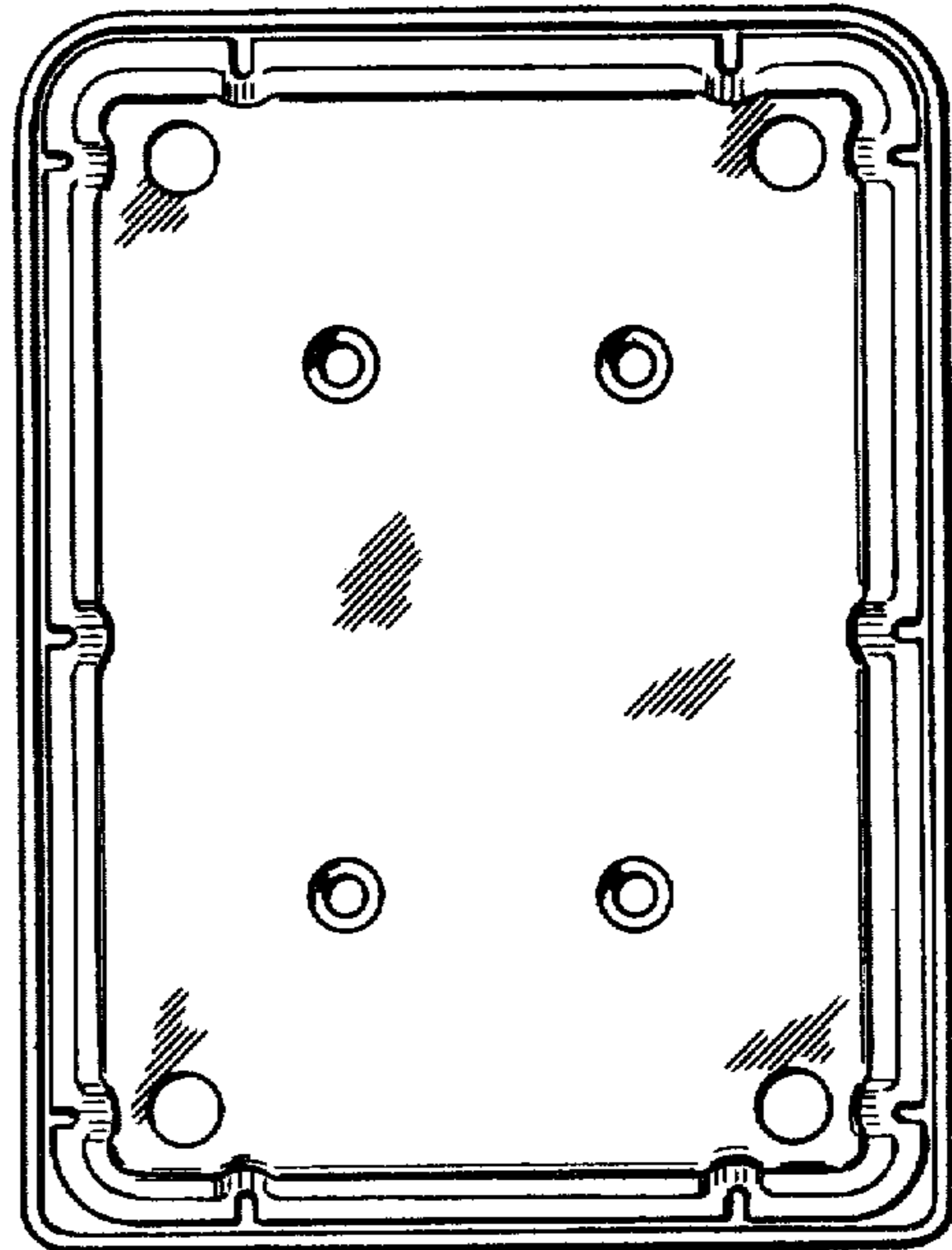


FIG. 11

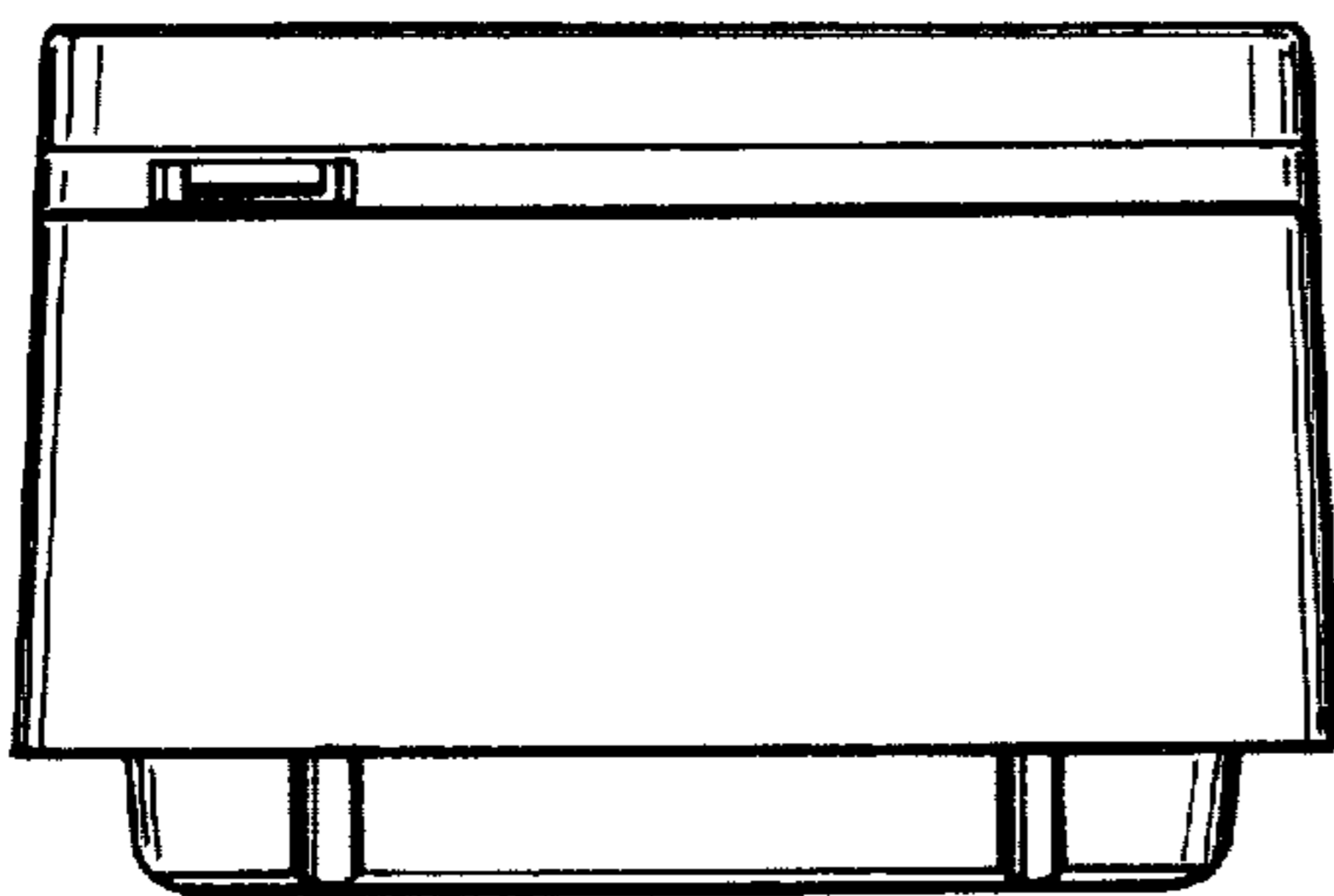


FIG. 12

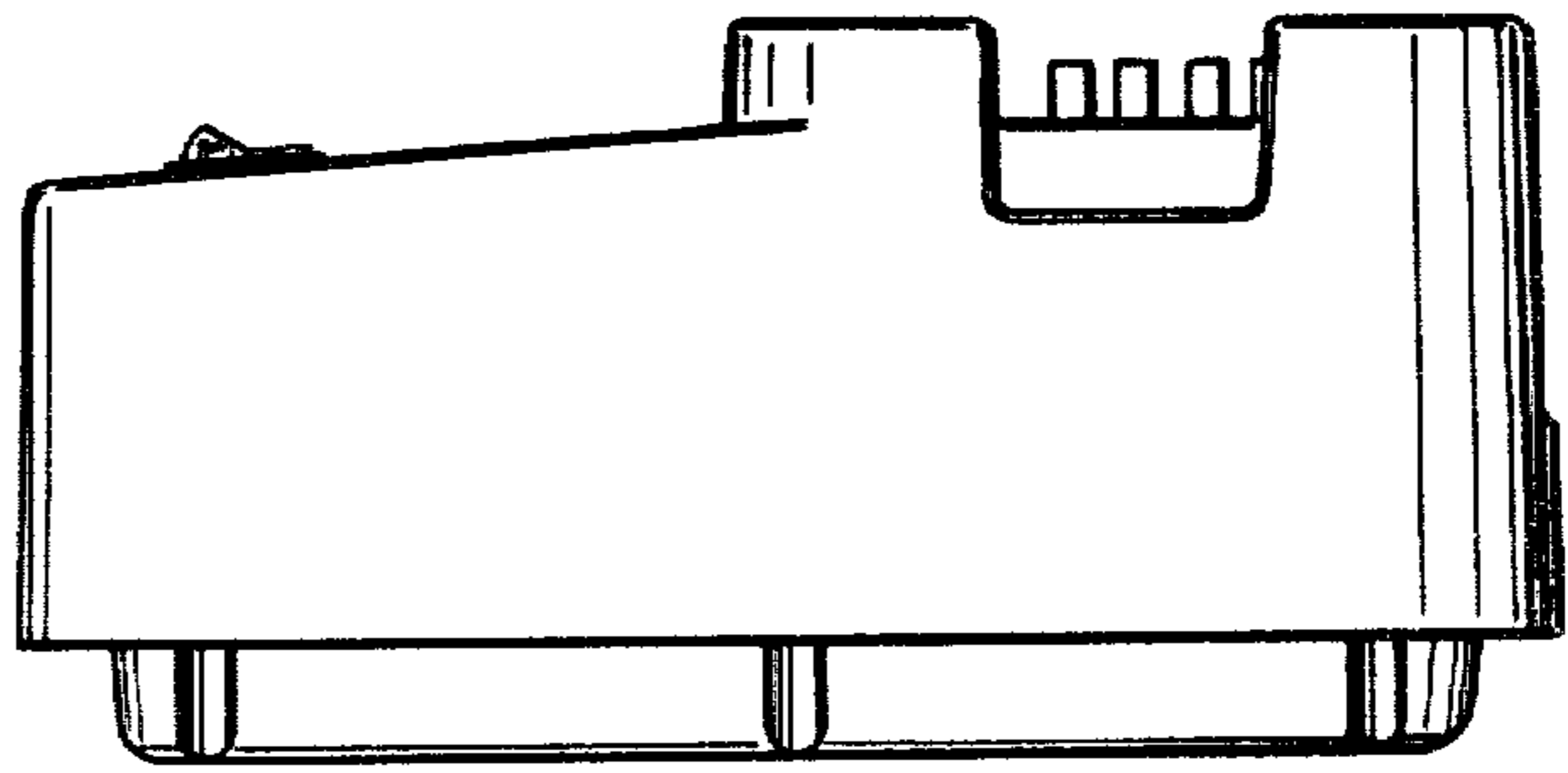


FIG. 13

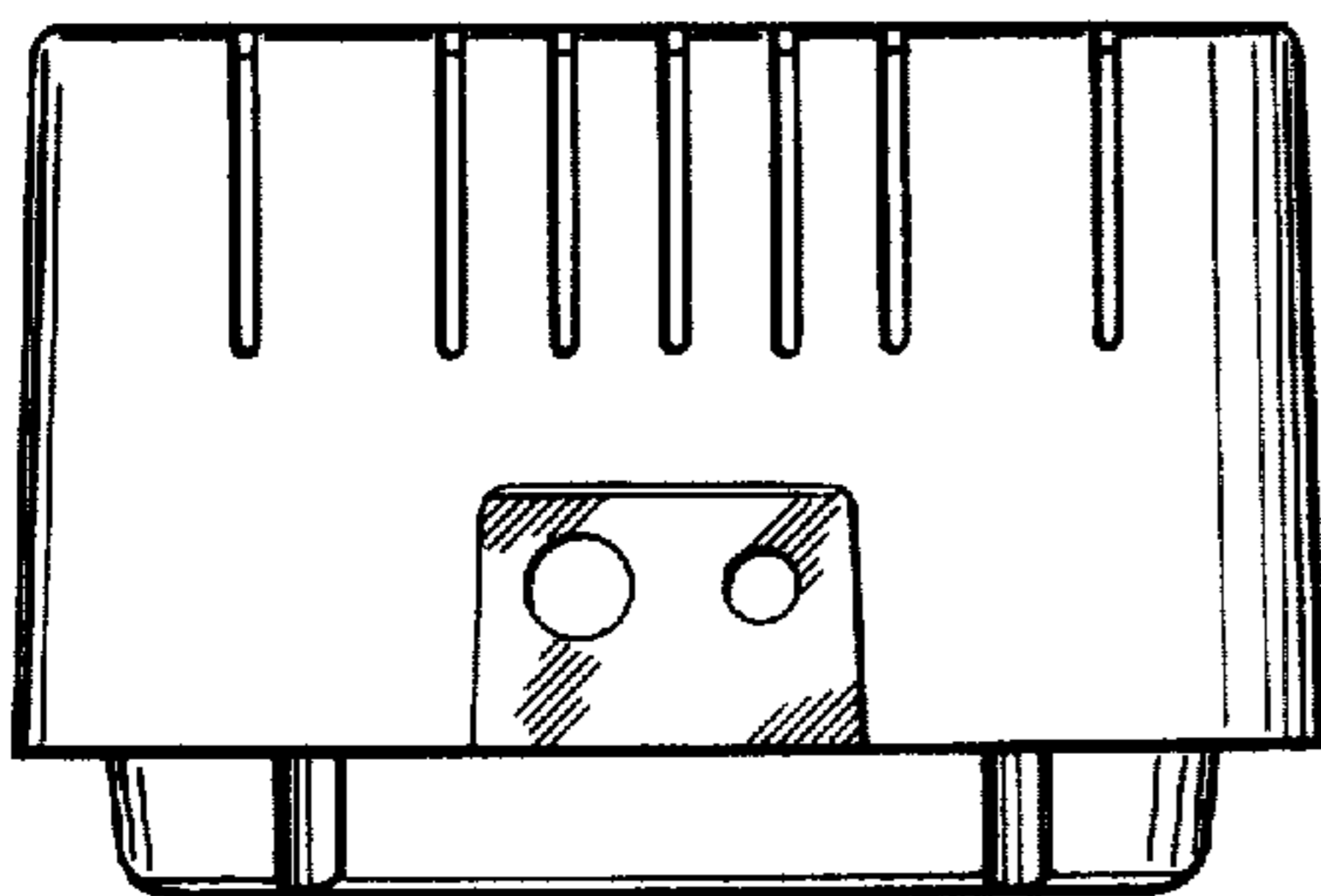


FIG. 14

