

[54] BOARD FOR WATER SPORTS

[76] Inventors: Andrej Cerkovnik, Spodnji Rudnik 4/17; Stane Žvanut, Vrhovci c. XVII/22, both of 61000 Ljubljana, Yugoslavia

[\*\*] Term: 14 Years

[21] Appl. No.: 136,738

[22] Filed: Apr. 2, 1980

[30] Foreign Application Priority Data

Oct. 3, 1979 [YU] Yugoslavia ..... M-267/79

[51] Int. Cl. .... D12-06; D21-02

[52] U.S. Cl. .... D12/303; D21/228

[58] Field of Search ..... D21/228; D12/303; 114/39; 9/310 E

[56] References Cited

U.S. PATENT DOCUMENTS

D. 214,215 5/1969 Keneklis ..... D21/228  
3,289,227 12/1966 Kelly, Jr. .... D21/228

FOREIGN PATENT DOCUMENTS

2519224 11/1976 Fed. Rep. of Germany ..... 9/310 E  
2372073 7/1978 Fed. Rep. of Germany ..... 114/39

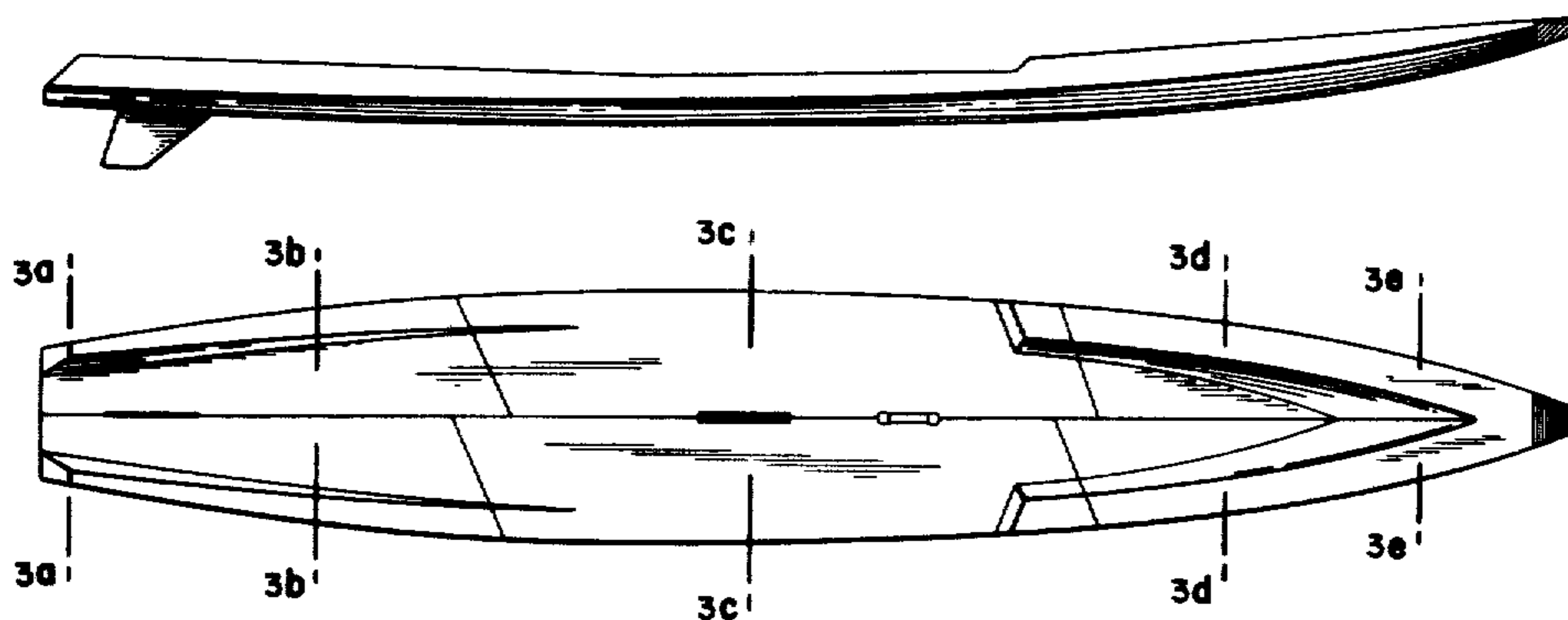
Primary Examiner—James M. Gandy  
Attorney, Agent, or Firm—Fleit & Jacobson

[57] CLAIM

The ornamental design for a board for water sports, as shown and described.

DESCRIPTION

FIG. 1 is a side elevational view of a board for water sports showing our new design;  
FIG. 2 is a top plan view thereof;  
FIG. 3 is a series of five sectional views thereof taken along the lines 3a, 3b, 3c, 3d and 3e; and  
FIG. 4 is a bottom plan view thereof.



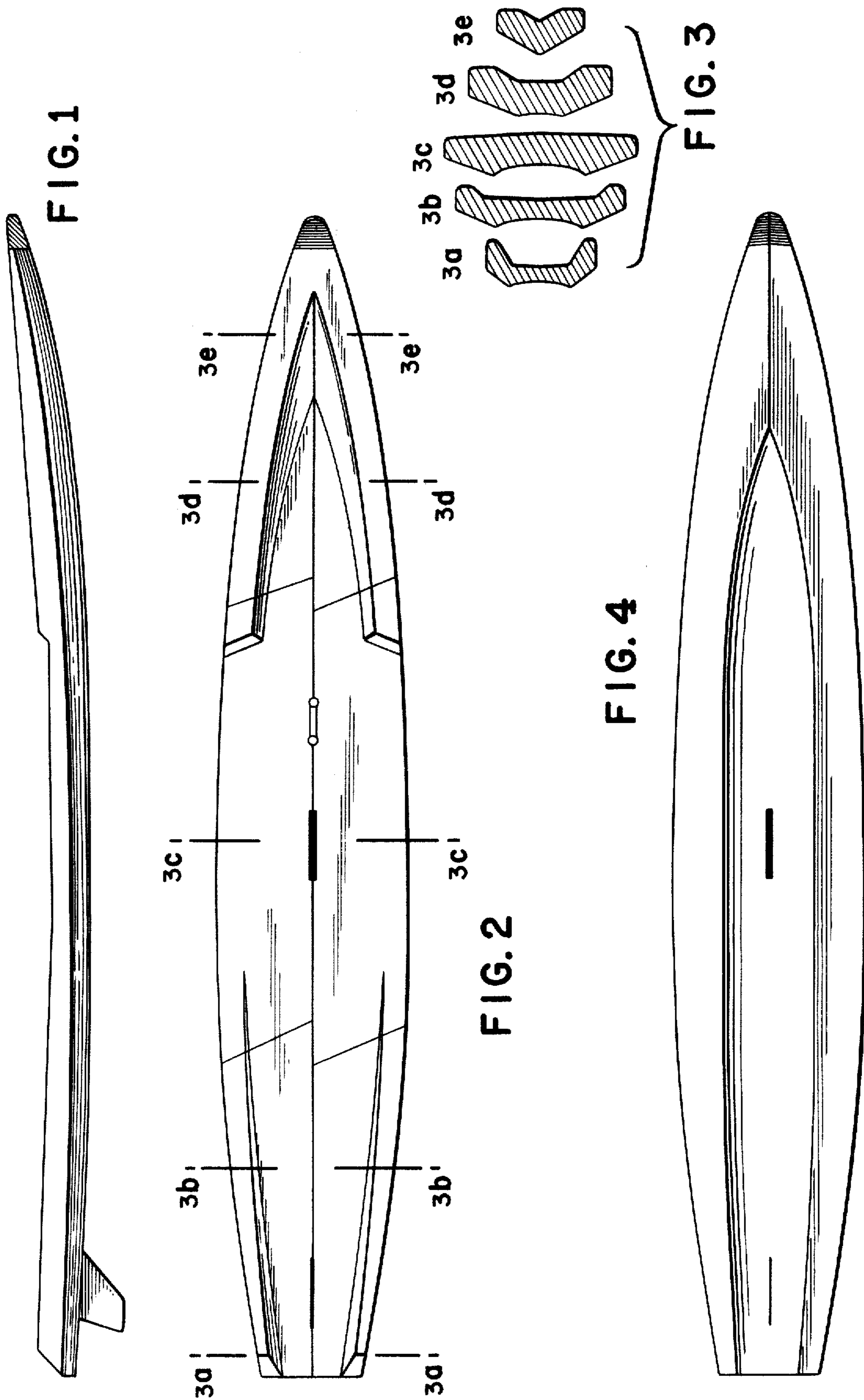


FIG. 1

FIG. 2

FIG. 4

FIG. 3