

[54] **COMBINED MODULAR FLOWER BOX AND TRAY THEREFOR**

[76] Inventor: **Donald H. Whiting**, 1330 Mississauga Valley Blvd., Unit 26, Mississauga, Ontario, Canada, L5A 3T1

[**] Term: **14 Years**

[21] Appl. No.: **249,927**

[22] Filed: **Apr. 1, 1981**

[51] Int. Cl. **D11-02**

[52] U.S. Cl. **D11/156; D11/151**

[58] Field of Search **D11/143-156, D11/164; 47/23, 39, 40, 41, 41.12, 41.13, 61, 67-68, 66, 72, 73, 75, 78-81, 85-87**

[56] **References Cited**

U.S. PATENT DOCUMENTS

D. 211,957	8/1968	Penniman	D11/156
D. 228,779	10/1973	Kleine	D11/156
876,235	1/1908	Quackenboss	47/66
1,133,836	3/1915	Bolger	D11/156
1,293,785	2/1919	Hurst	47/68
1,433,043	10/1922	Shrauger	D11/156

1,690,910	11/1928	Shapiro	47/68
2,223,074	11/1940	Martin	47/68
3,696,960	10/1972	Smirie	47/68
4,031,663	6/1977	Brunk	D6/183
4,120,119	10/1978	Engel	47/66

Primary Examiner—B. J. Bullock
Attorney, Agent, or Firm—Moss, Bensette, Thompson, Squires

[57] **CLAIM**

The ornamental design for a combined modular flower box and tray therefor, as shown, and described.

DESCRIPTION

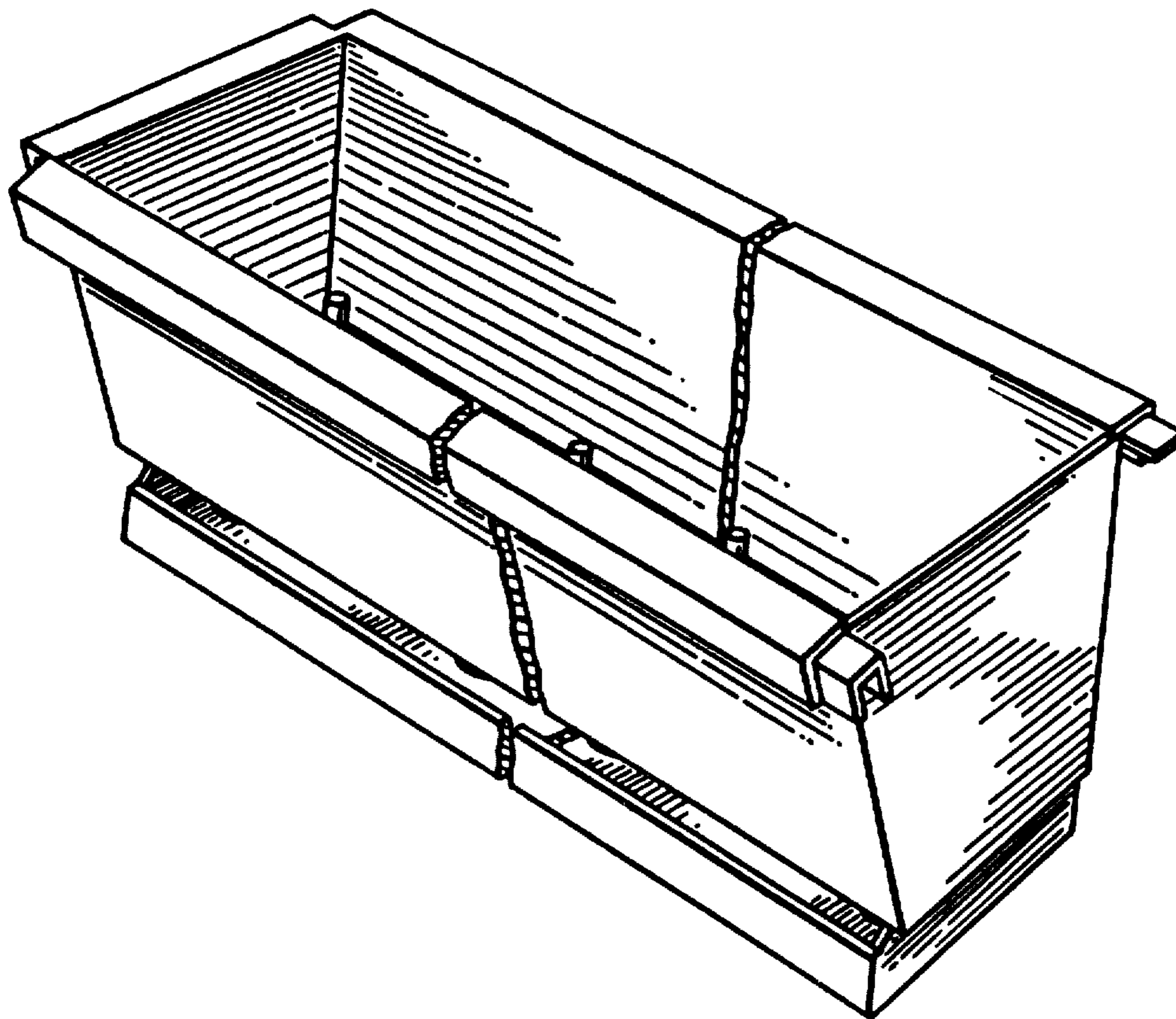
FIG. 1 is a top, front perspective view of a combined modular flower box and tray therefor showing my new design, shown broken away to indicate indeterminate length;

FIG. 2 is a bottom, rear perspective view thereof;

FIG. 3 is an enlarged top plan view thereof;

FIG. 4 is an enlarged side elevational view taken from the right of FIG. 1;

FIG. 5 is a top front perspective view of a second embodiment of the design of FIG. 1, the only difference being the wood grain appearance on the front side and upper edges.



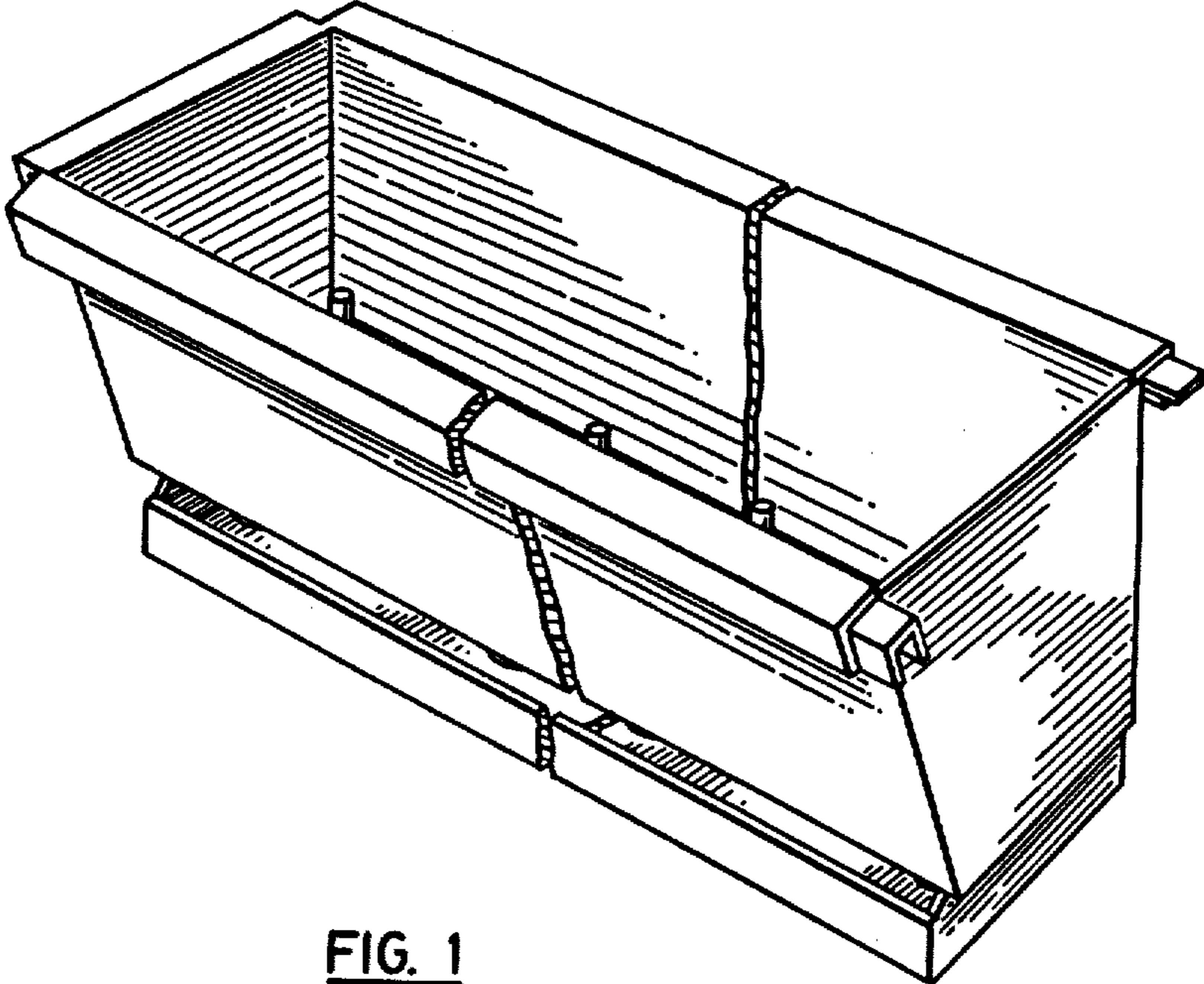


FIG. 1

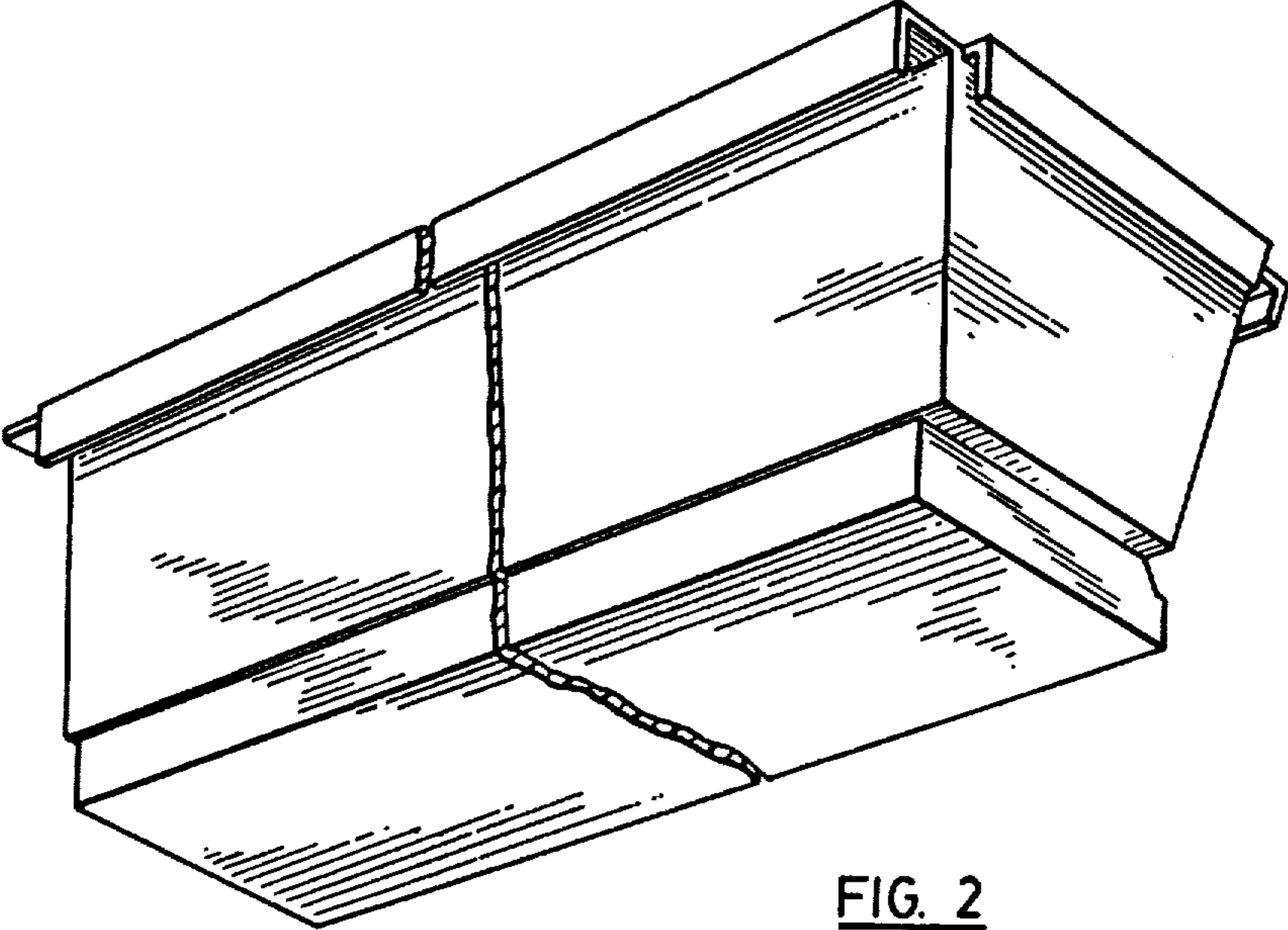


FIG. 2

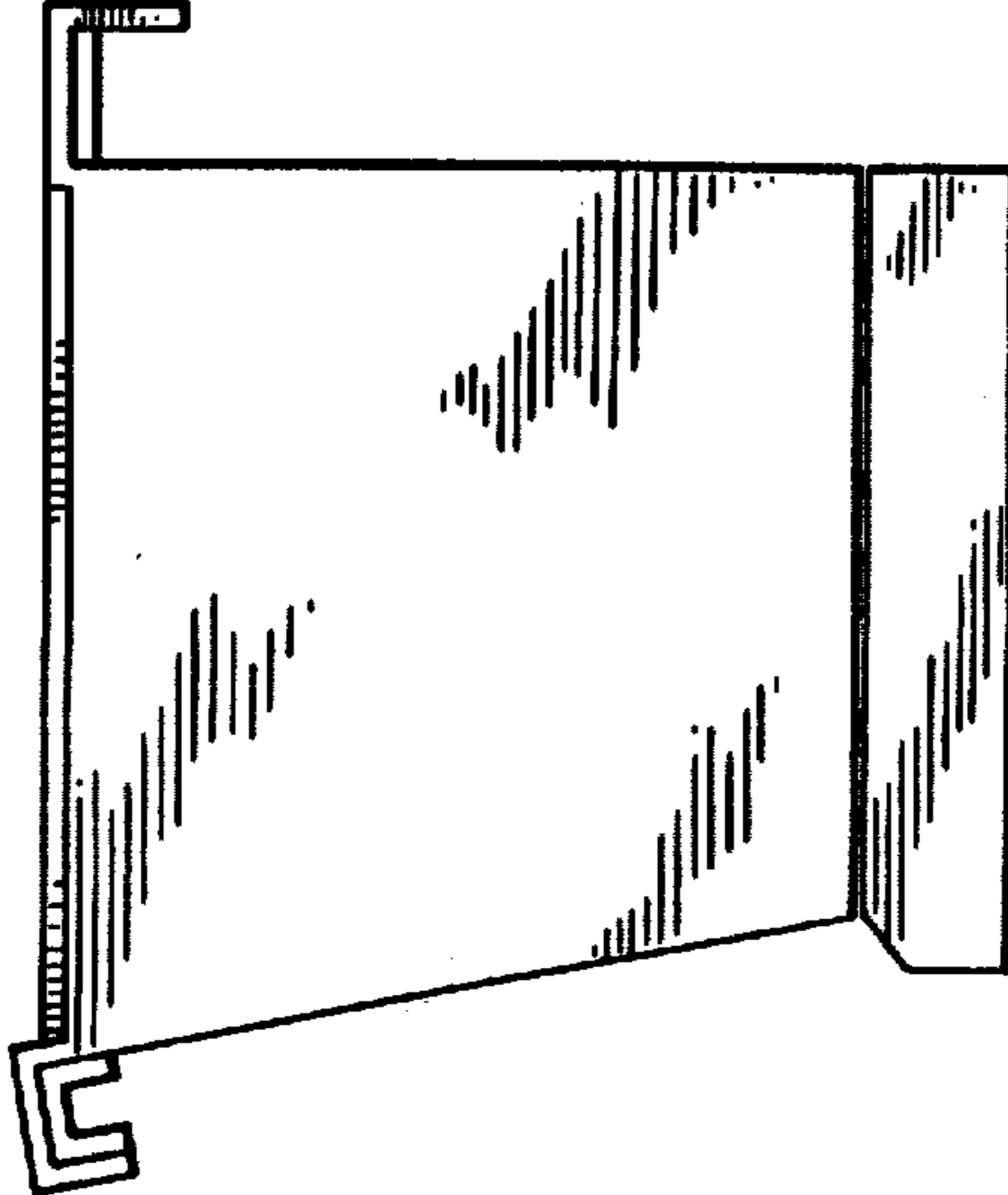


FIG. 4

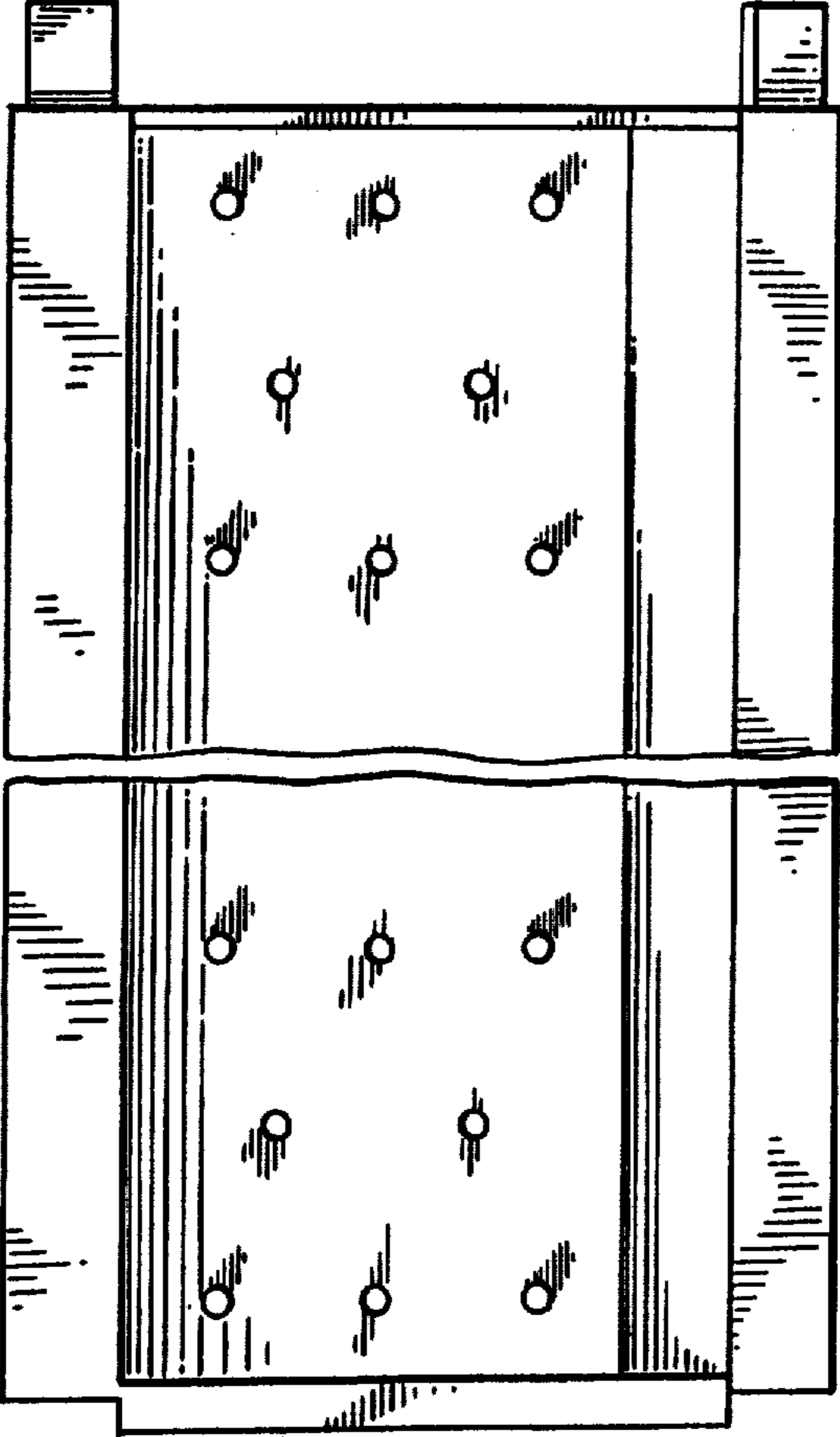


FIG. 3

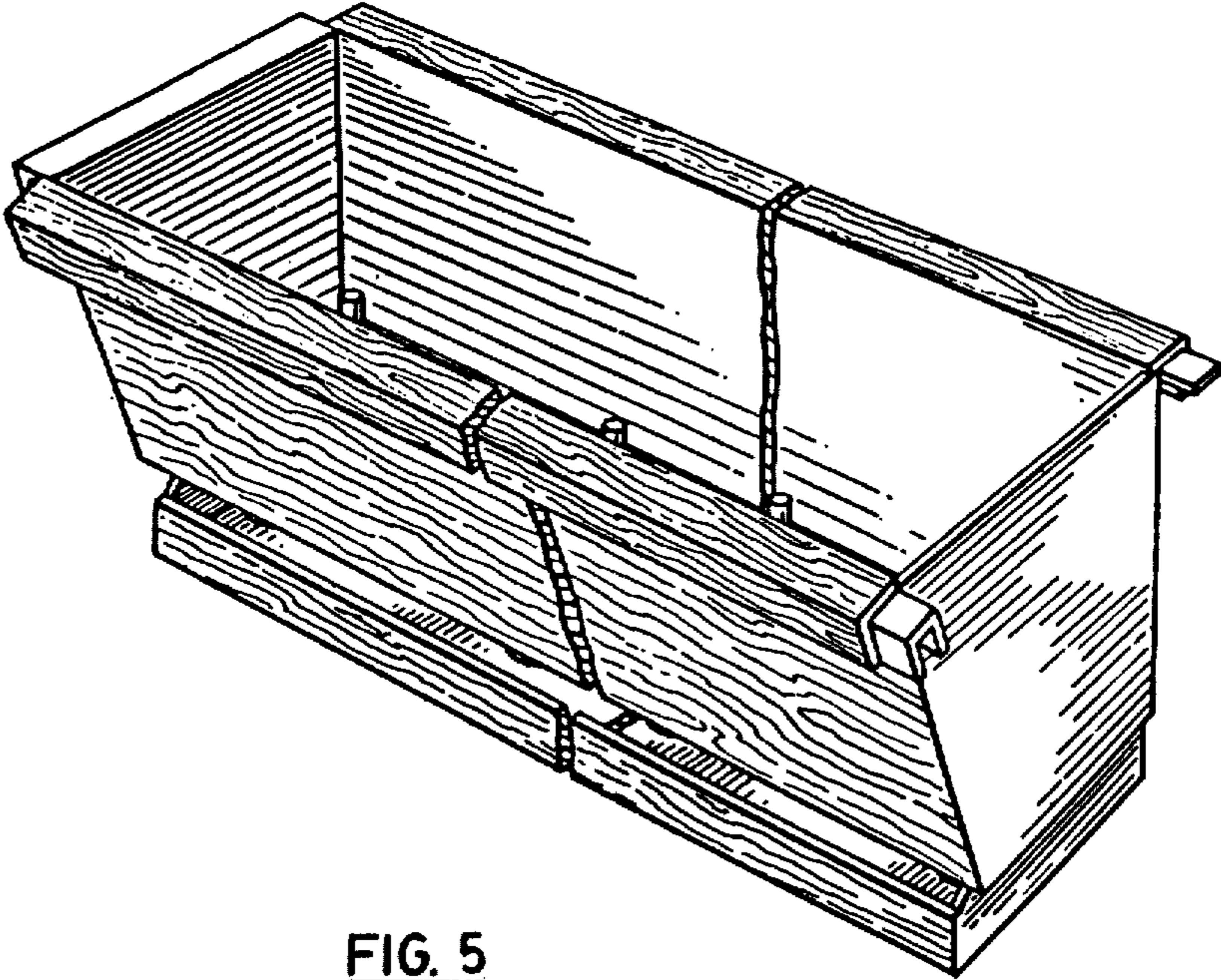


FIG. 5