

[54] SPORTS SCOREBOARD

[75] Inventors: James L. Gebhardt, Roswell; Ferris L. Hutchins, Jr., Doraville, both of Ga.

[73] Assignee: The Mead Corporation, Dayton, Ohio

[\*\*] Term: 14 Years

[21] Appl. No.: 63,798

[22] Filed: Aug. 6, 1979

[51] Int. Cl. .... D10-99

[52] U.S. Cl. .... D10/46.1

[58] Field of Search ..... D10/46.1; D21/28, 29; 235/1 B, 117 A; 116/222, 225; 273/148 R, 148 A, DIG. 26, 85 R, 270; 40/488, 490, 491

[56] References Cited

U.S. PATENT DOCUMENTS

3,468,541 9/1969 Herring ..... 273/270

OTHER PUBLICATIONS

Sweet's Cat. File, 1977, vol. 11, 11.16/Fa, p. 1, Fair-Play Scoreboard.

Sweet's Arch. Cat. File, 1975, vol. 10, 11.16/Ni, p. 3, No. 1061, Sportsman Basketball Scoreboard.

Primary Examiner—Melvin B. Feifer  
Attorney, Agent, or Firm—Rodgers & Rodgers

[57] CLAIM

The ornamental design for a sports scoreboard, as shown and described.

DESCRIPTION

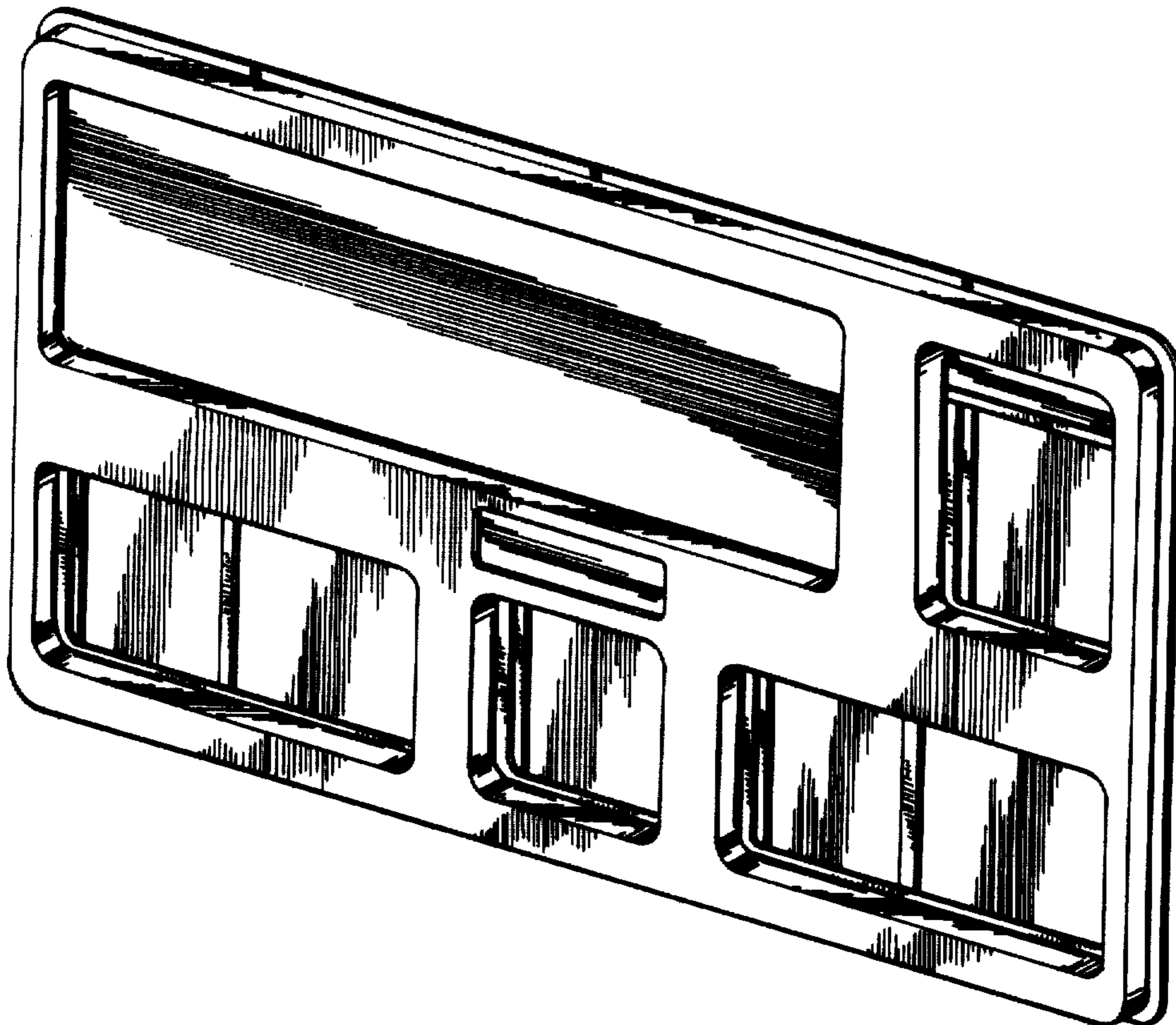
FIG. 1 is an isometric view of a sports scoreboard showing our new design;

FIG. 2 is an end elevational view, the opposite end being the same in appearance as the end shown;

FIG. 3 is a front elevational view;

FIG. 4 is a top plan view, the bottom being the same in appearance as the top; and

FIG. 5 is a rear elevational view.



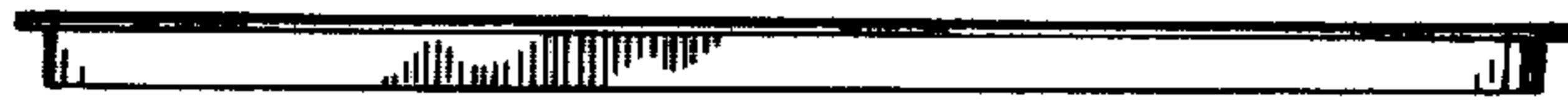


Fig. 2

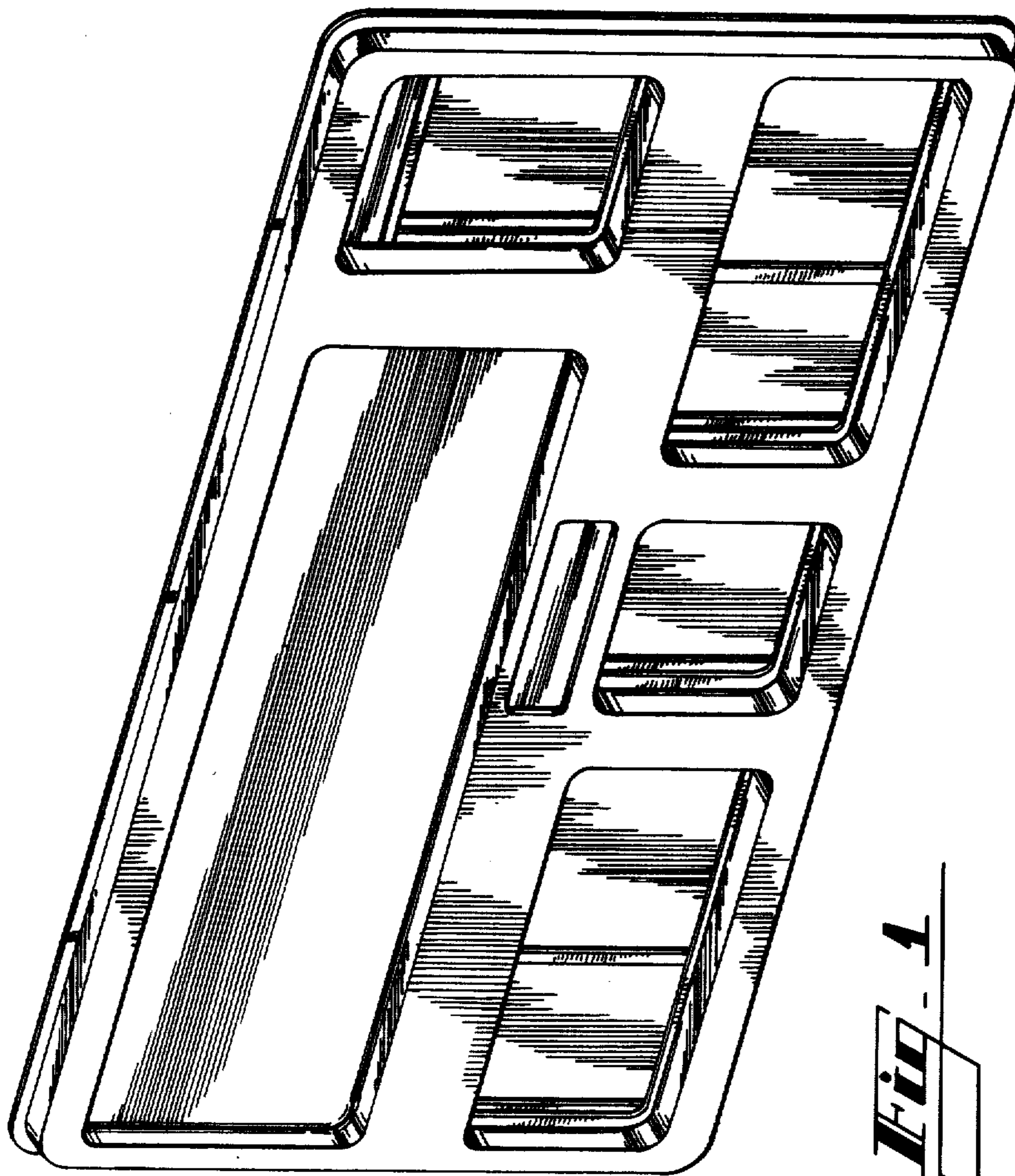
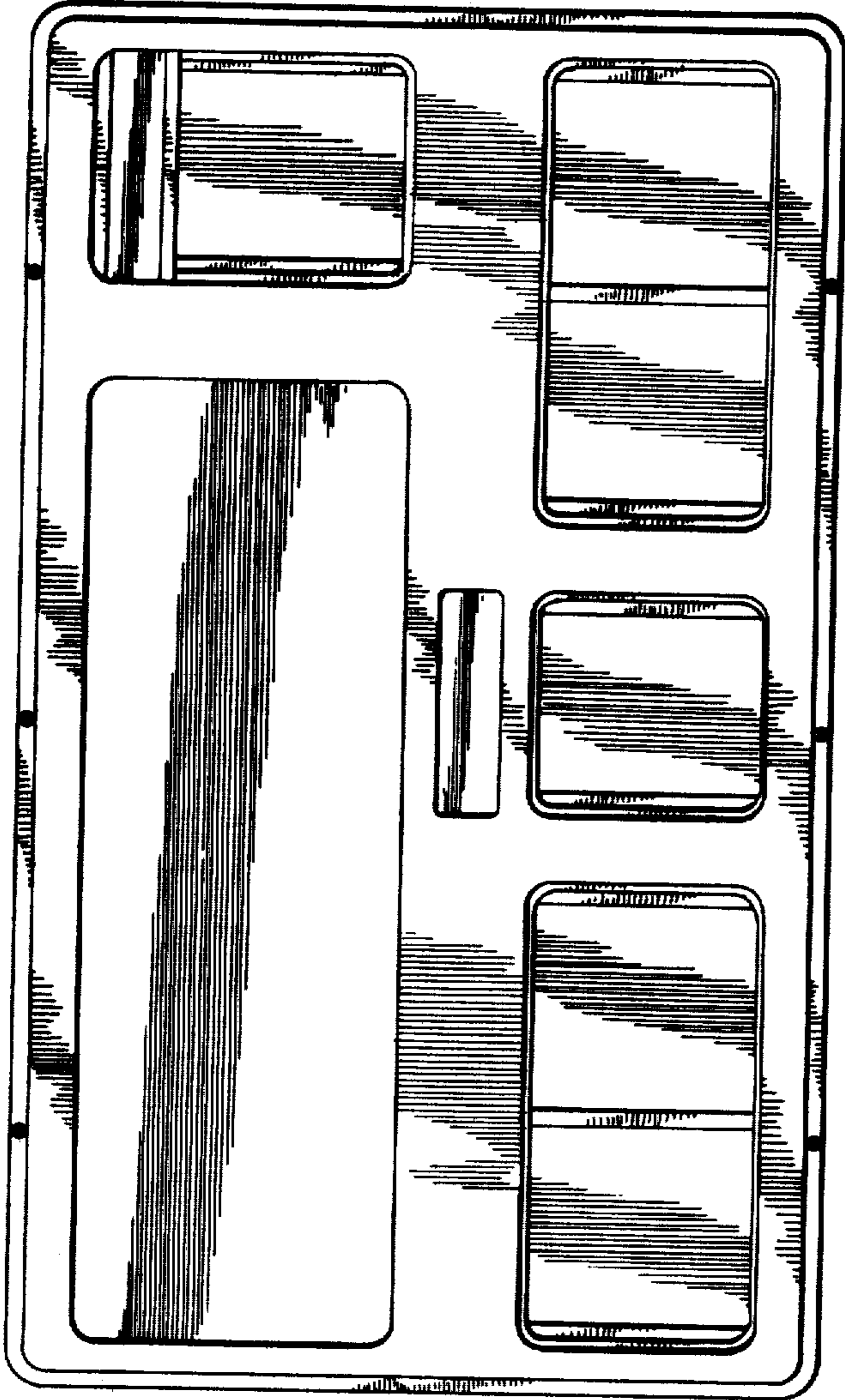
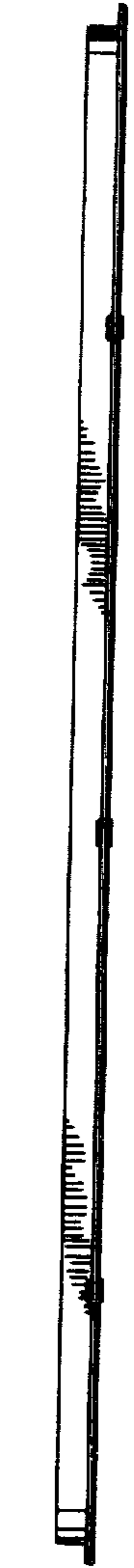


Fig. 1



**Fig. 3**



**Fig. 4**



**Fig. 5**