

[54] CURTAIN TRACK END PULLEY

[75] Inventor: Ivan A. Smith, Cheltenham, Australia

[73] Assignee: Village Nominees Pty. Ltd., Australia

[**] Term: 14 Years

[21] Appl. No.: 171,155

[22] Filed: Jul. 22, 1980

[30] Foreign Application Priority Data
 Mar. 13, 1980 [AU] Australia 80,452

[51] Int. Cl. D8-08

[52] U.S. Cl. D8/358; D8/377

[58] Field of Search D8/377, 376, 363, 358;
 D25/77, 78; 160/38, 39, 349 R, 349 D;
 248/262, 265, 251; 16/94 R, 94 D, 95 R, 96 R

[56] References Cited

U.S. PATENT DOCUMENTS

D. 196,910 11/1963 Ford D8/358
 2,913,212 11/1959 Bell 248/262
 3,387,321 6/1968 Janus 248/262 X

OTHER PUBLICATIONS

Sweet's Architectural Catalog File, 1978, section 12.10/wa, p. 6, No. 2171.

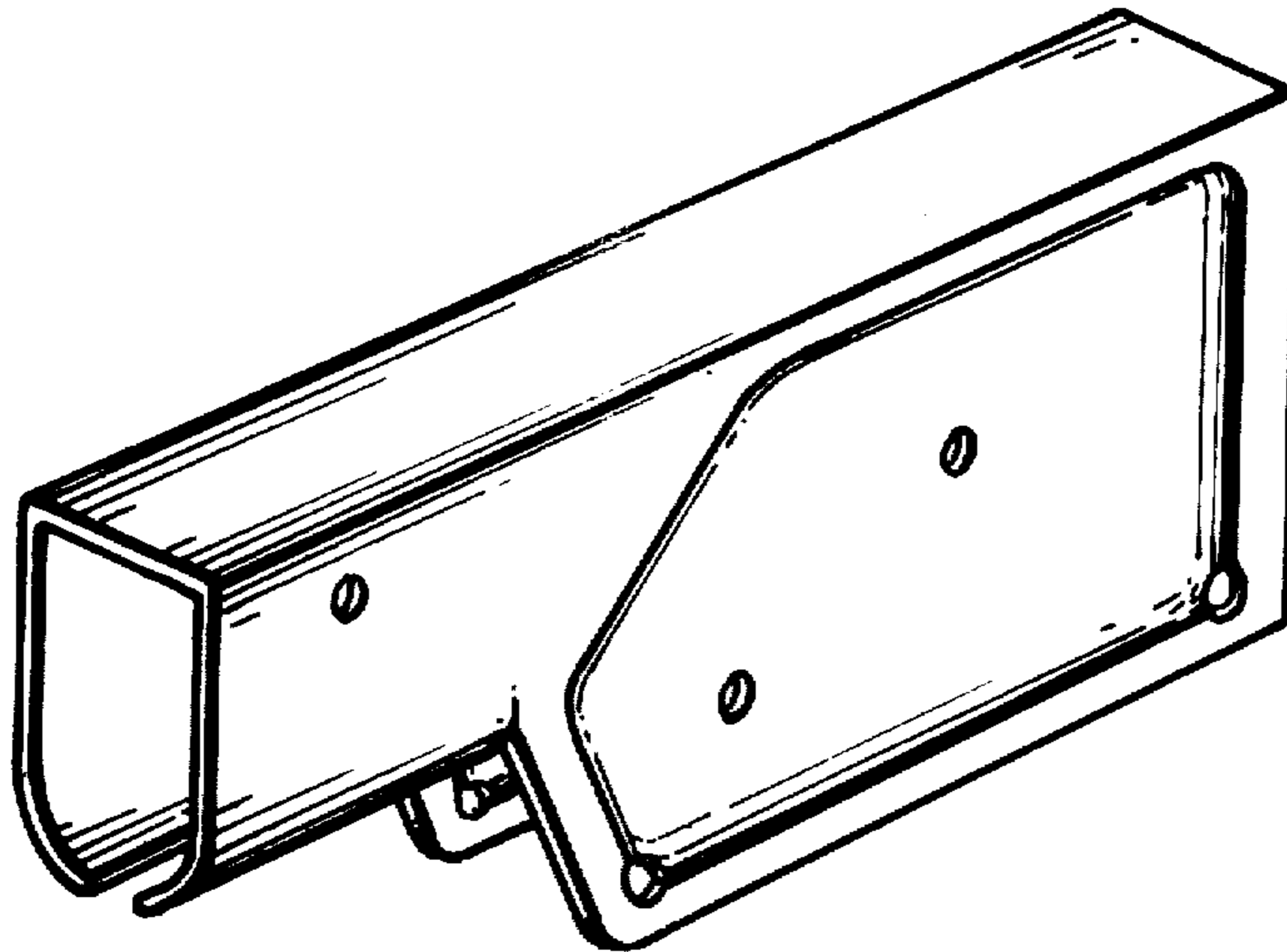
Primary Examiner—A. Hugo Word
 Attorney, Agent, or Firm—Klarquist, Sparkman, Campbell, Leigh, Winston & Dellett

[57] CLAIM

The ornamental design for a curtain track end pulley, as shown.

DESCRIPTION

FIG. 1 is a front perspective view from above;
 FIG. 2 is a rear perspective view from beneath.



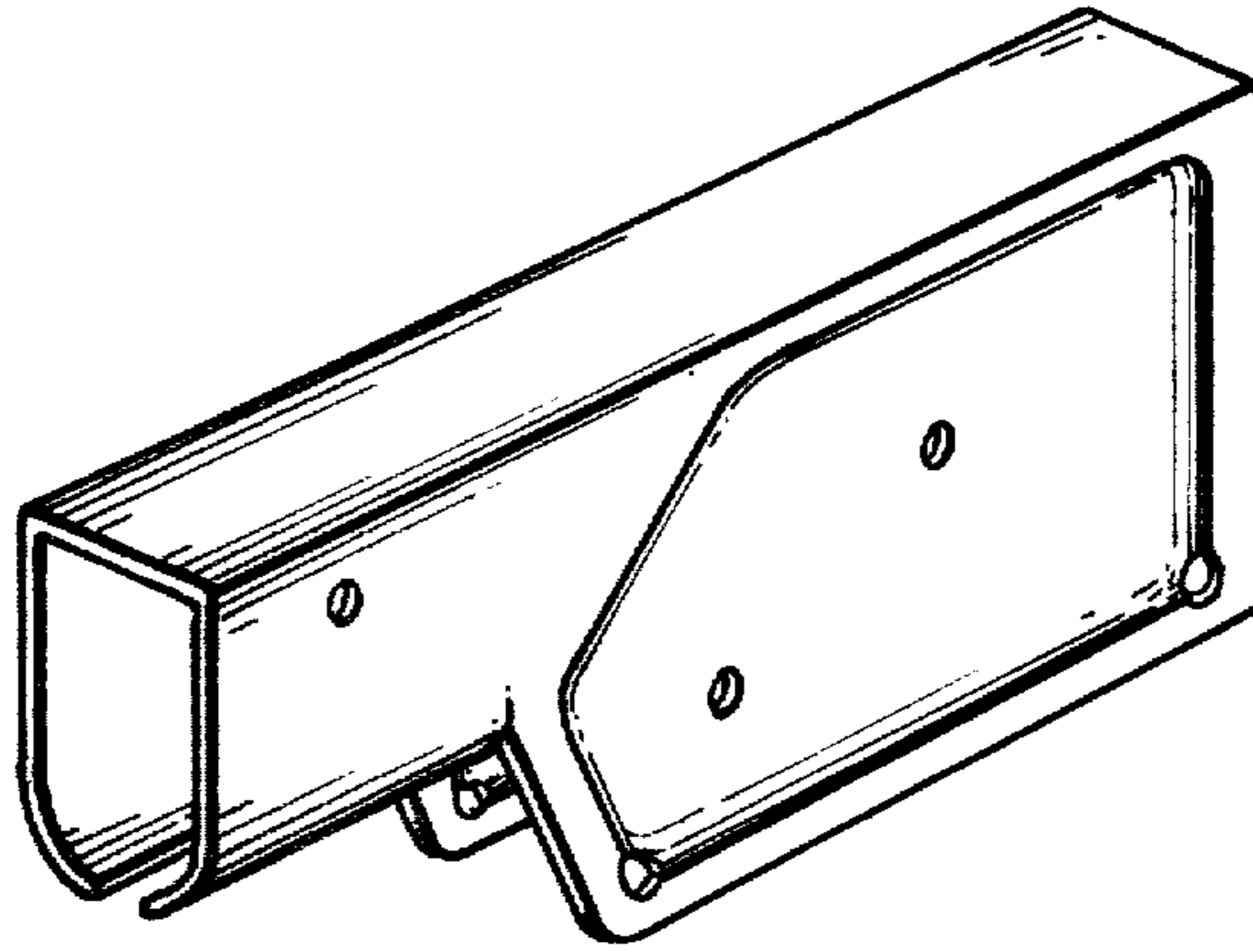


FIG. 1.

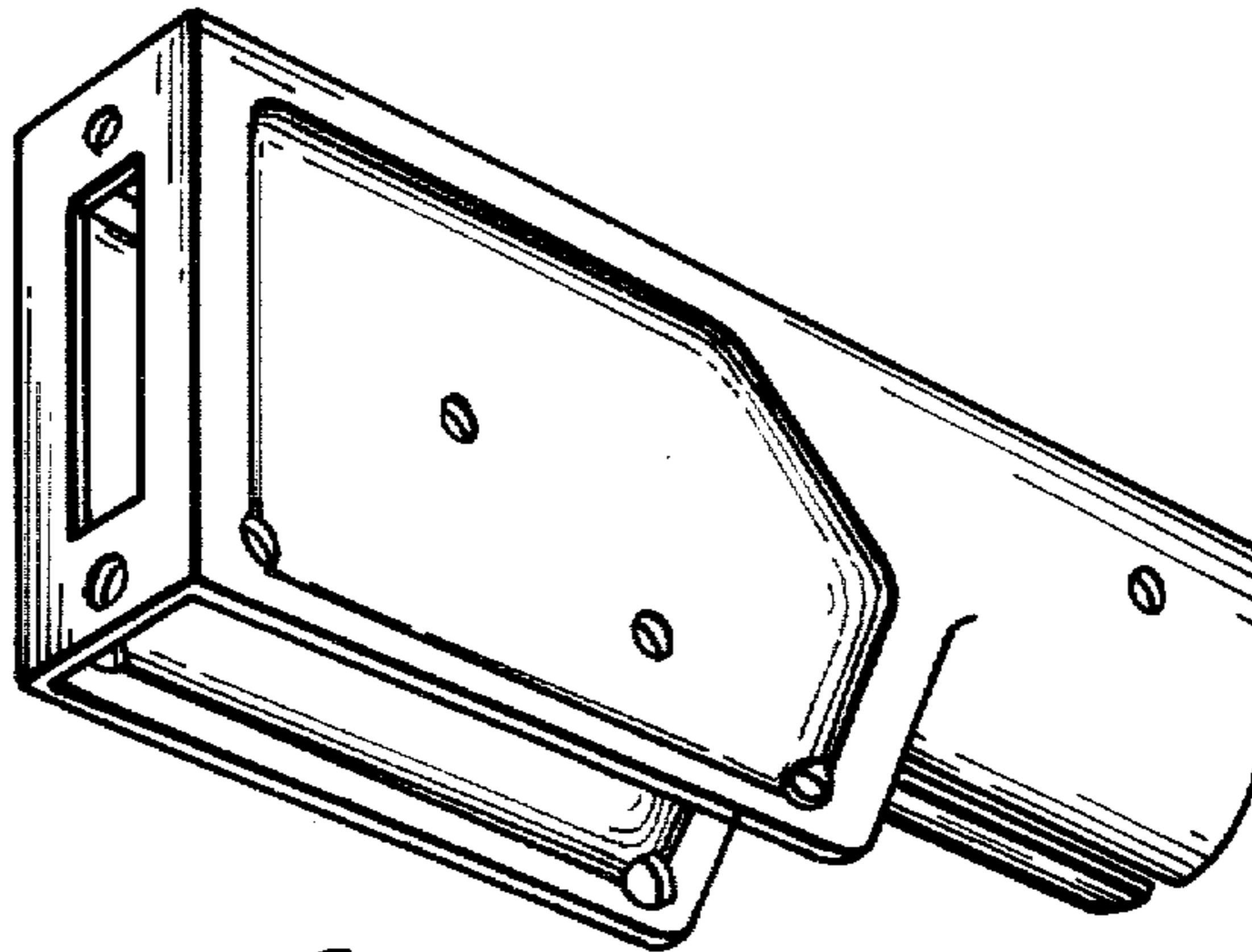


FIG. 2.