

[54] BARBECUE

[75] Inventors: **Ronald Bell; Jorn Sorensen**, both of Richmond, Canada

[73] Assignee: **Force 10 Marine Ltd.**, Richmond, Canada

[**] Term: **14 Years**

[21] Appl. No.: **168,919**

[22] Filed: **Jul. 14, 1980**

[51] Int. Cl. **D7-02**

[52] U.S. Cl. **D7/110**

[58] Field of Search **D7/107, 108, 109, 110; 126/25 R, 25 A, 25 AA, 25 B, 25 C, 9 R, 9 A, 9 B, 29, 30**

[56] **References Cited**

U.S. PATENT DOCUMENTS

- D. 235,088 5/1975 Erickson D7/110
- D. 243,310 2/1977 Heberling D7/110
- D. 258,108 2/1981 Cone D7/110
- 3,013,549 12/1961 Sexton, Jr. D7/107 X

OTHER PUBLICATIONS

Electrical Merchandising-Jul. 10, 1961-p.20-Royal Chef Brazier ROS-38.

Home Furnishings Daily-Feb. 12, 1962-p. 22, Big Boy Barbecue.

Primary Examiner—Catherine E. Kemper
Attorney, Agent, or Firm—Fetherstonhaugh & Co.

[57] **CLAIM**

The ornamental design for a barbecue, as shown.

DESCRIPTION

FIG. 1 is a perspective view of a barbecue showing our new design;

FIG. 2 is a front elevational view thereof;

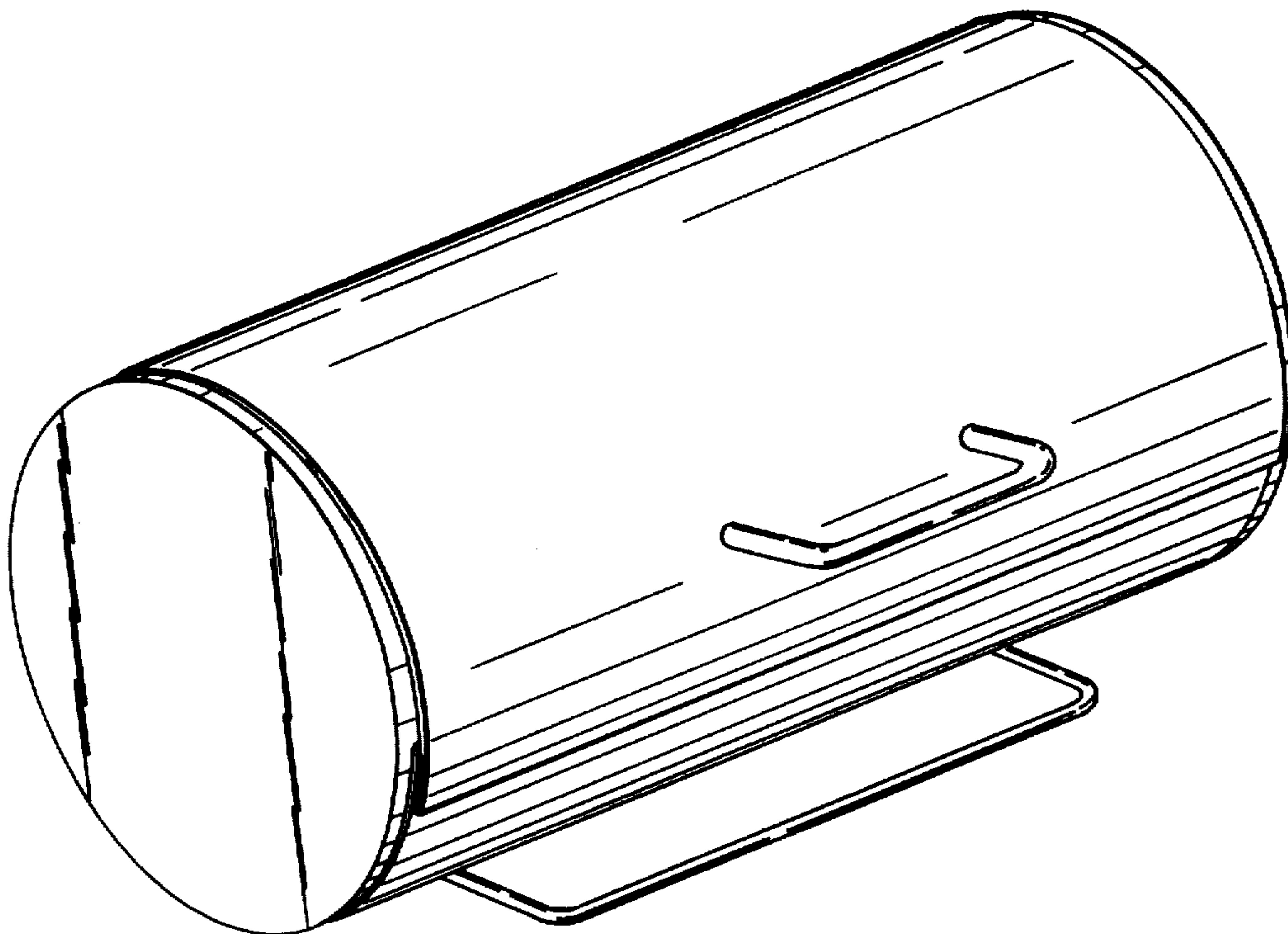
FIG. 3 is a side elevational view taken from the right of FIG. 1;

FIG. 4 is a side elevational view taken from the left of FIG. 1;

FIG. 5 is a rear elevational view thereof;

FIG. 6 is a top plan view thereof; and

FIG. 7 is a bottom plan view thereof.



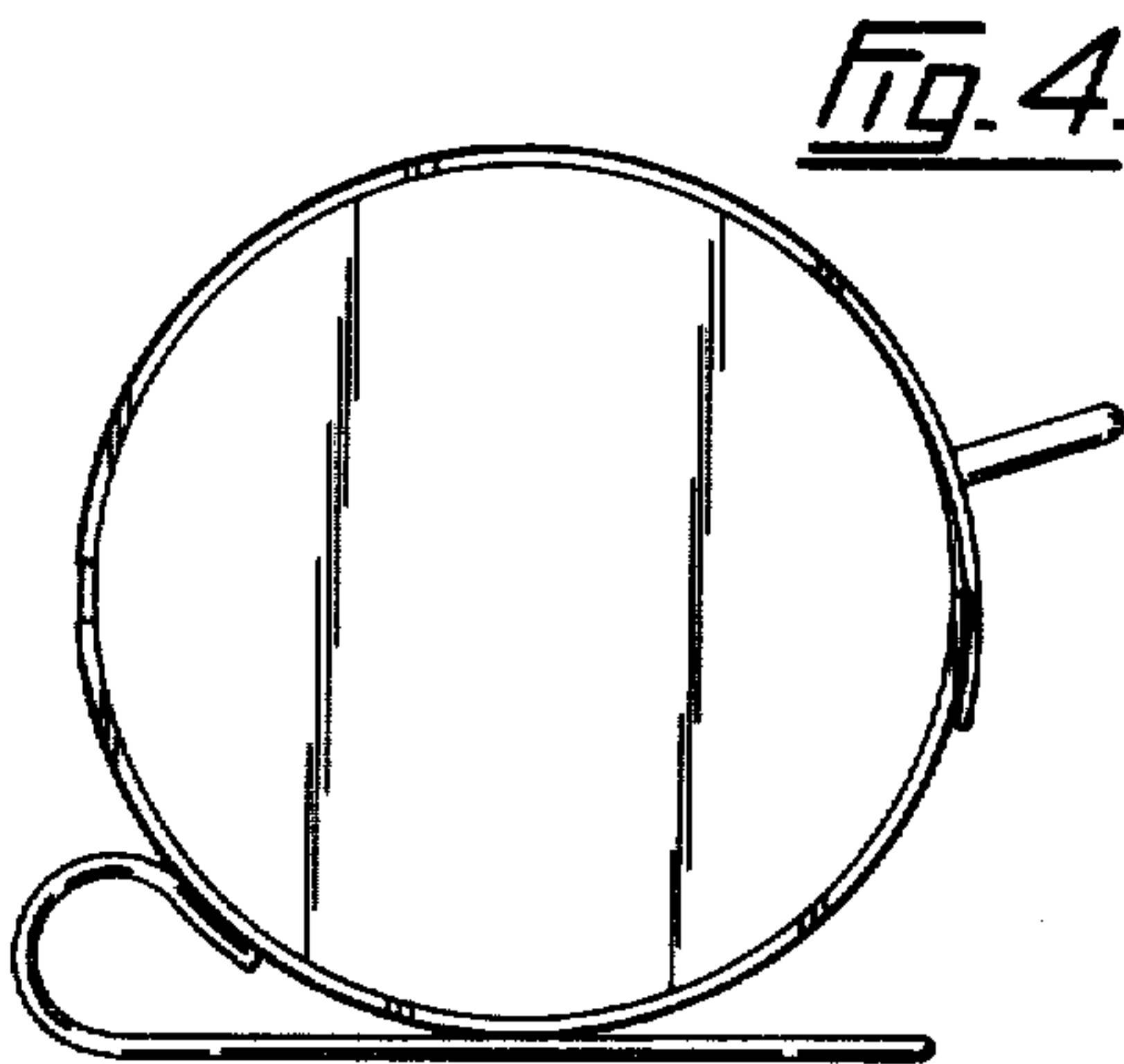
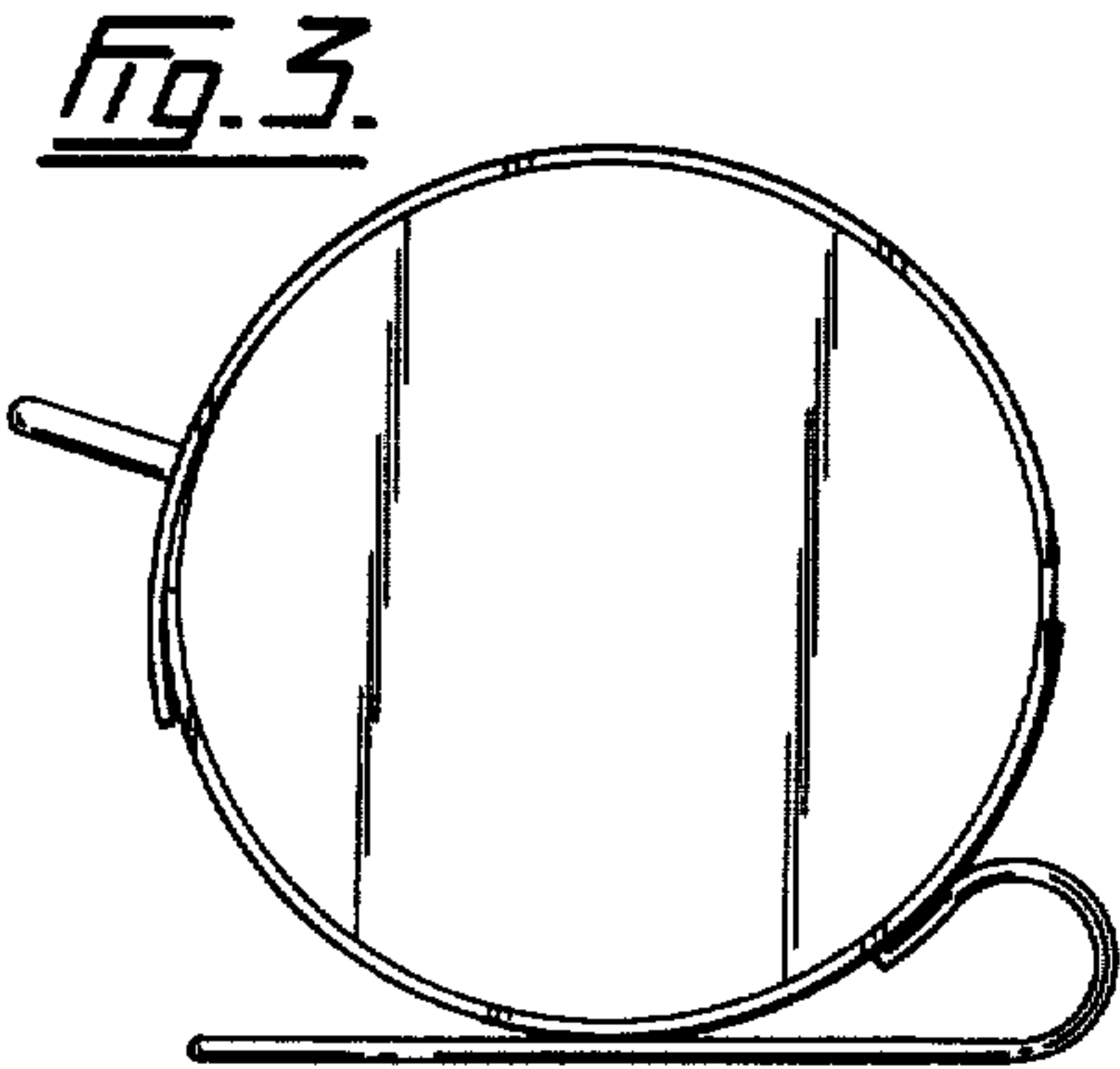
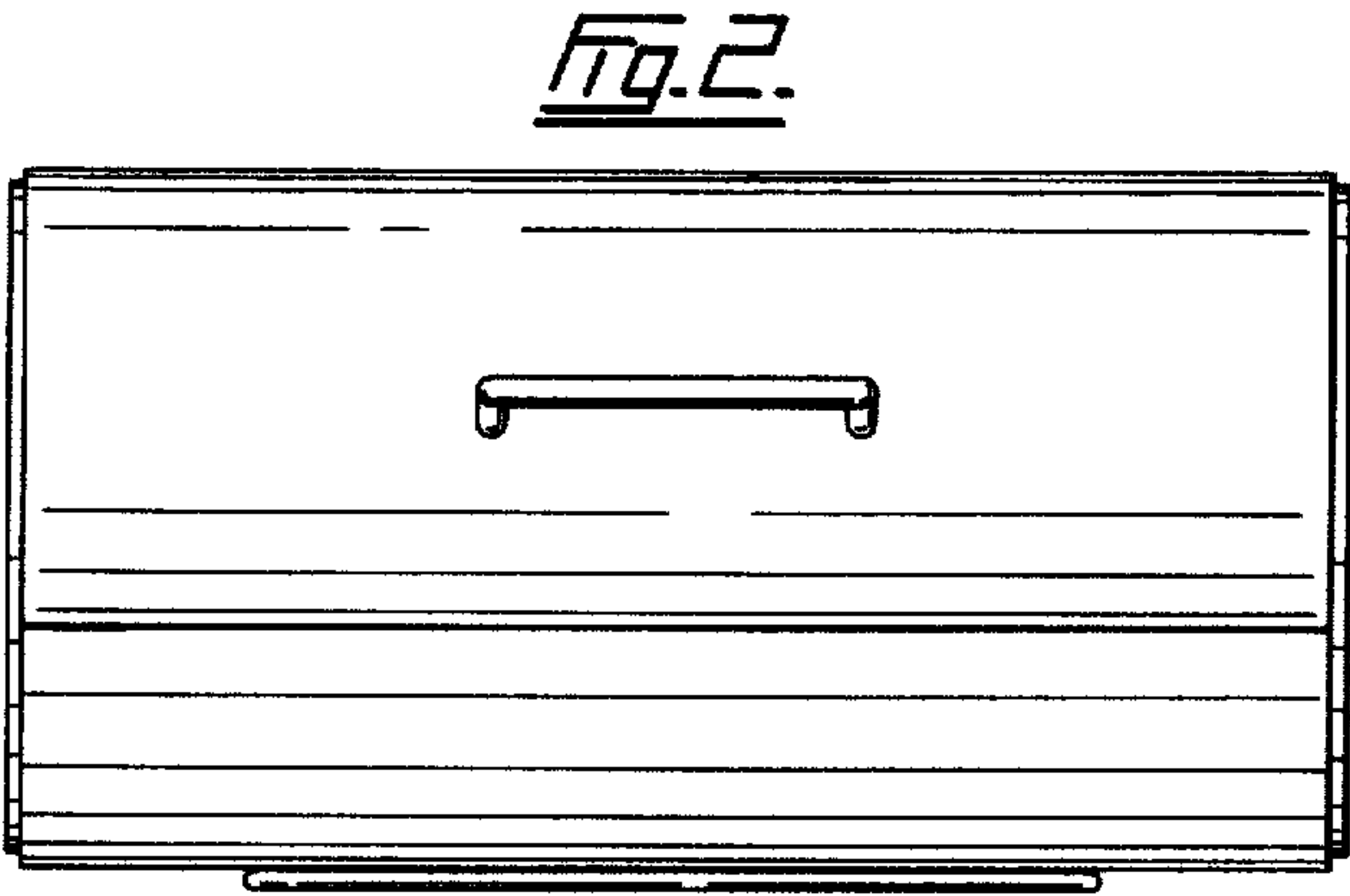
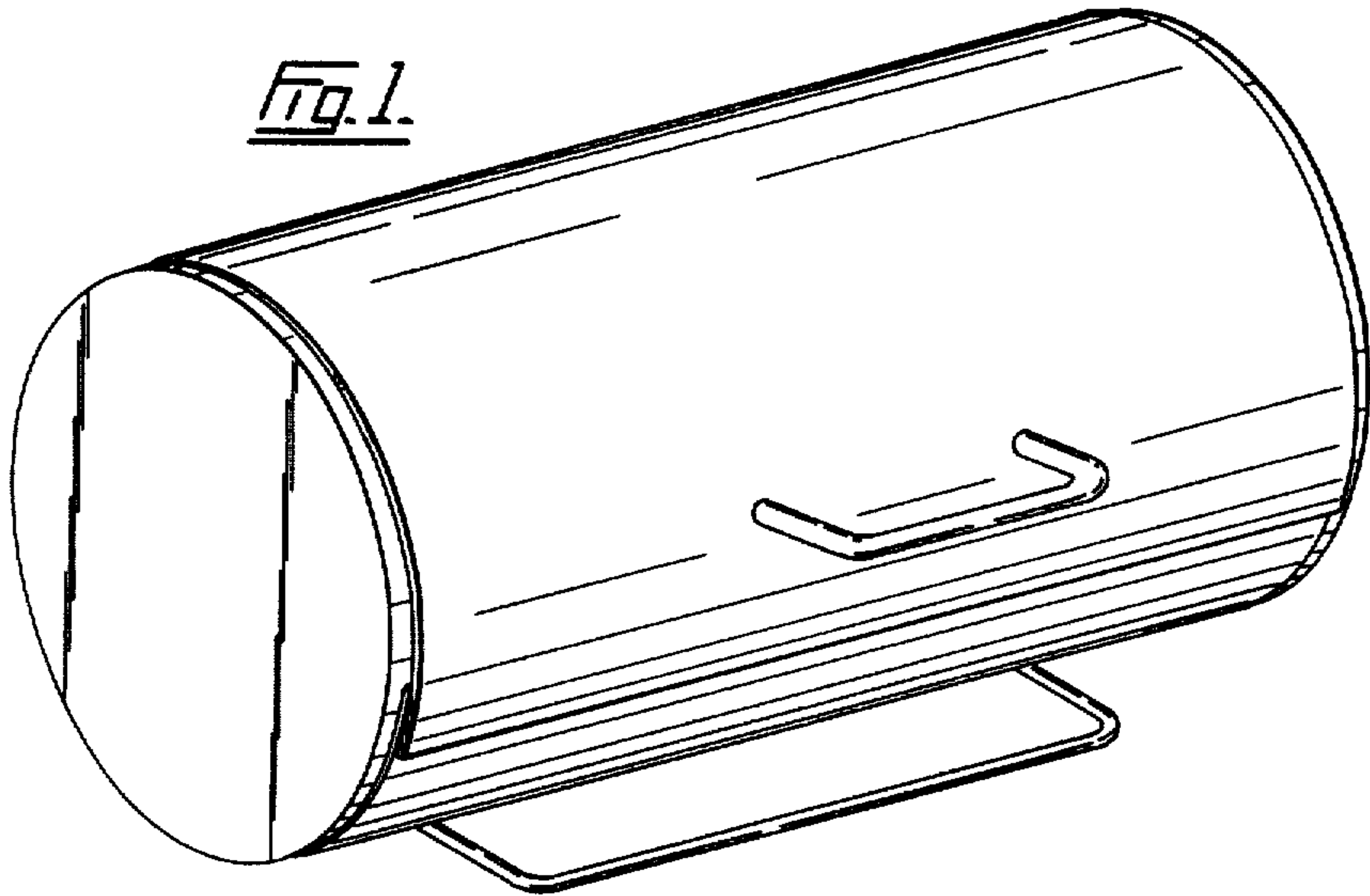


Fig. 5.

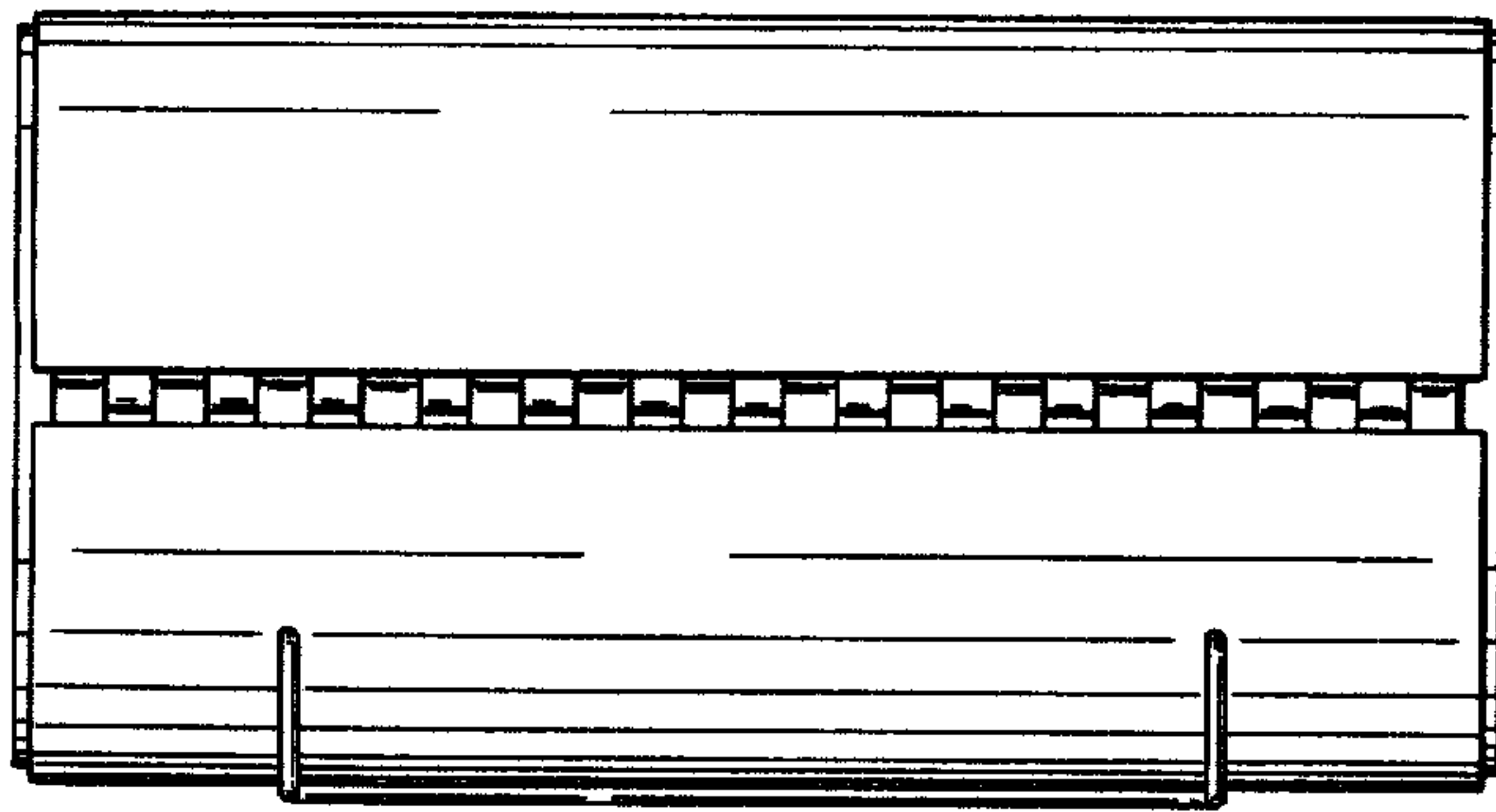


Fig. 6.

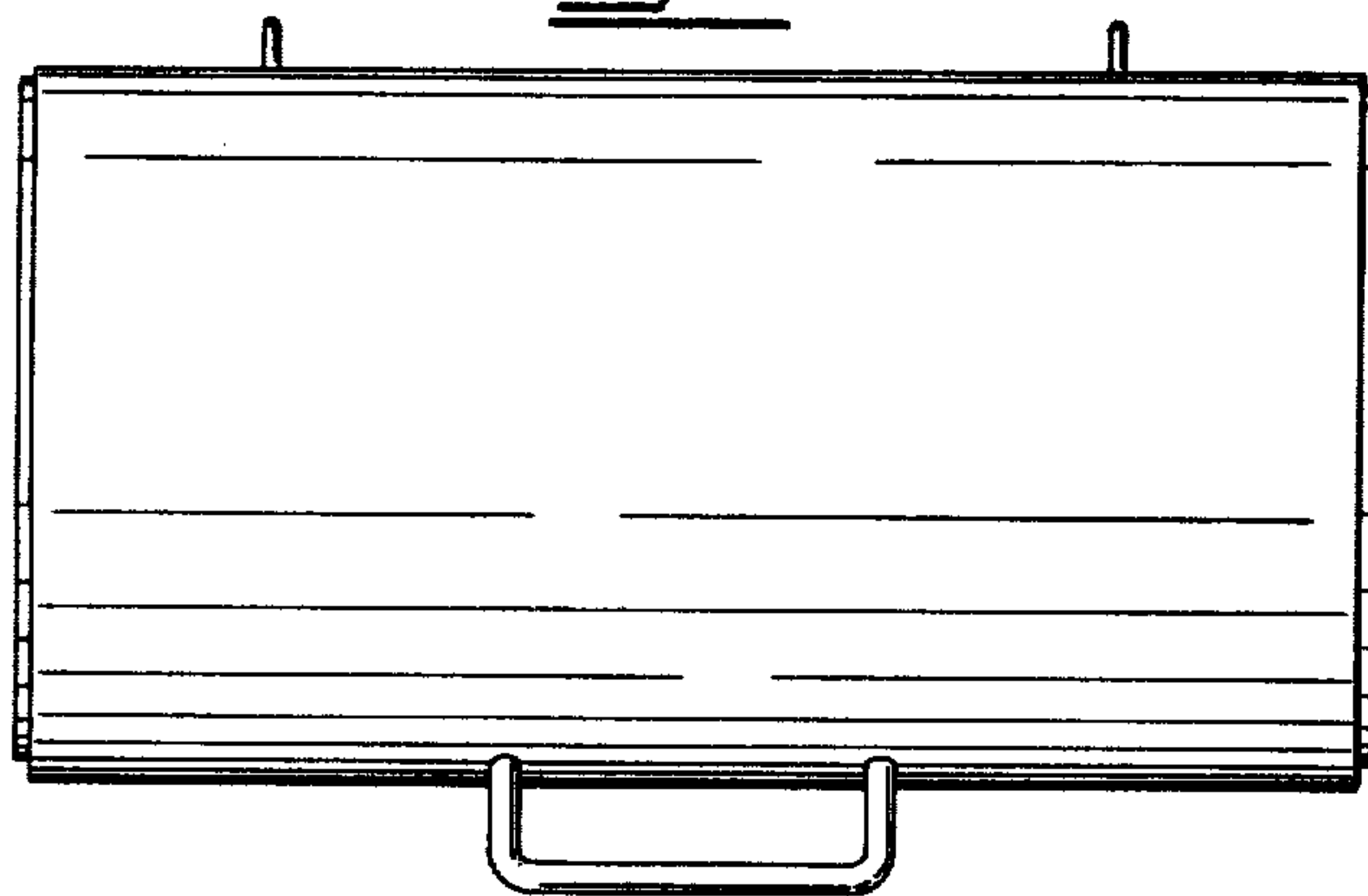


Fig. 7.

