

[54] **BEVERAGE CAN HOLDER**

[76] Inventor: **Thomas M. Craig**, 8200 Lenore St.,
Houston, Tex. 77017

[**] Term: **14 Years**

[21] Appl. No.: **180,061**

[22] Filed: **Aug. 20, 1980**

[51] Int. Cl. **D07-99**

[52] U.S. Cl. **D7/70**

[58] Field of Search **D7/70, 45; 248/145.6,**
248/346.1; 220/85 H; 294/27 H, 33; 16/114 A;
215/100 A

[56] **References Cited**

U.S. PATENT DOCUMENTS

D. 209,533 12/1967 Cole D7/70
D. 256,645 9/1980 Keough D7/70 X

1,702,555 2/1929 Watson D7/70 X
2,029,051 1/1936 Blevins 294/33
2,075,217 3/1937 Milburn 215/100 A

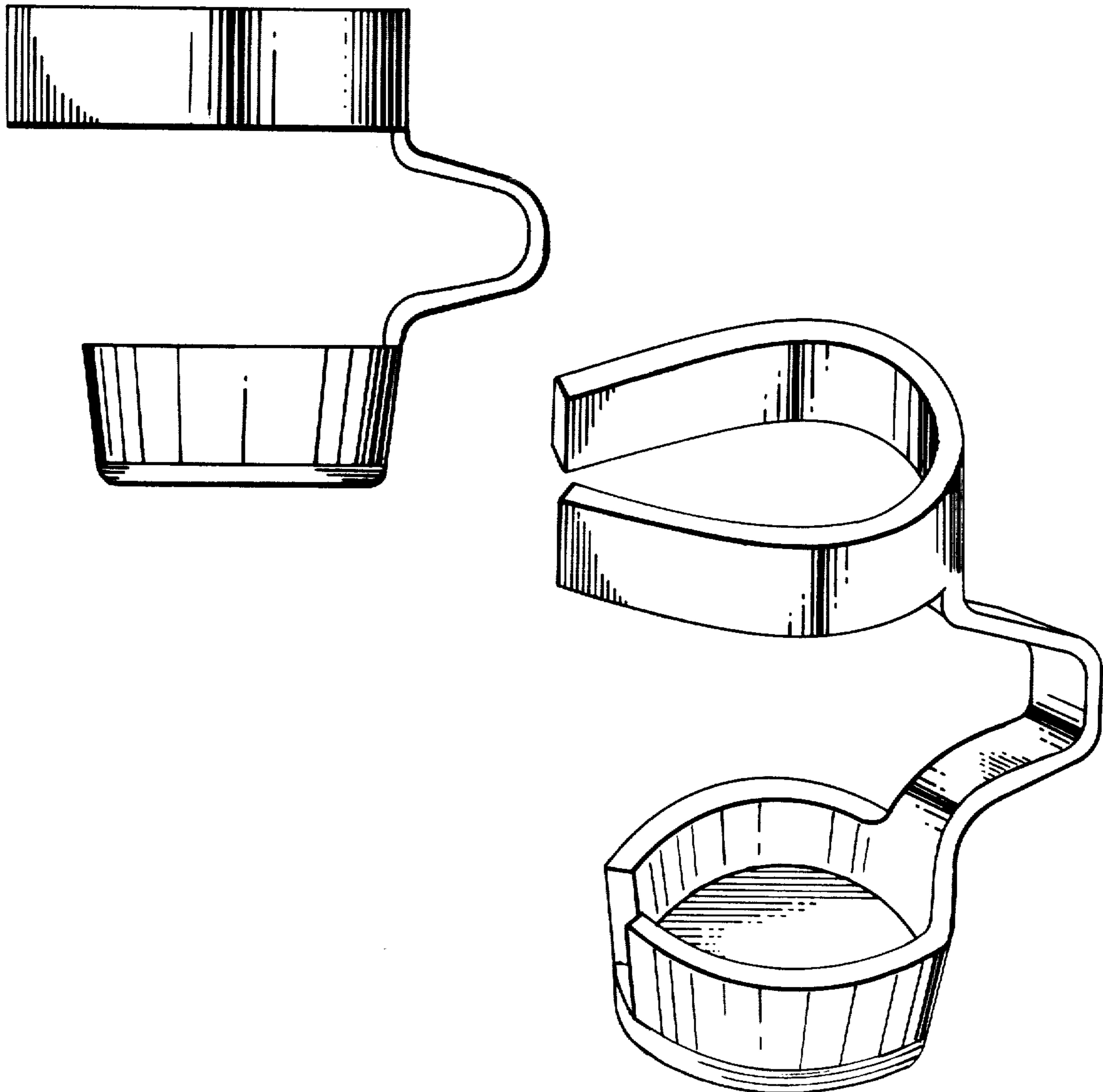
Primary Examiner—Winifred E. Herrmann
Attorney, Agent, or Firm—Jack Darrell

[57] **CLAIM**

The ornamental design for a beverage can holder, substantially as shown and described.

DESCRIPTION

FIG. 1 is a perspective view of a beverage can holder showing my new design;
FIG. 2 is a top plan view thereof;
FIG. 3 is a left side elevational view thereof, the right side being substantially a mirror image thereto;
FIG. 4 is a front elevational view thereof;
FIG. 5 is a bottom plan view thereof; and
FIG. 6 is a rear elevational view thereof.



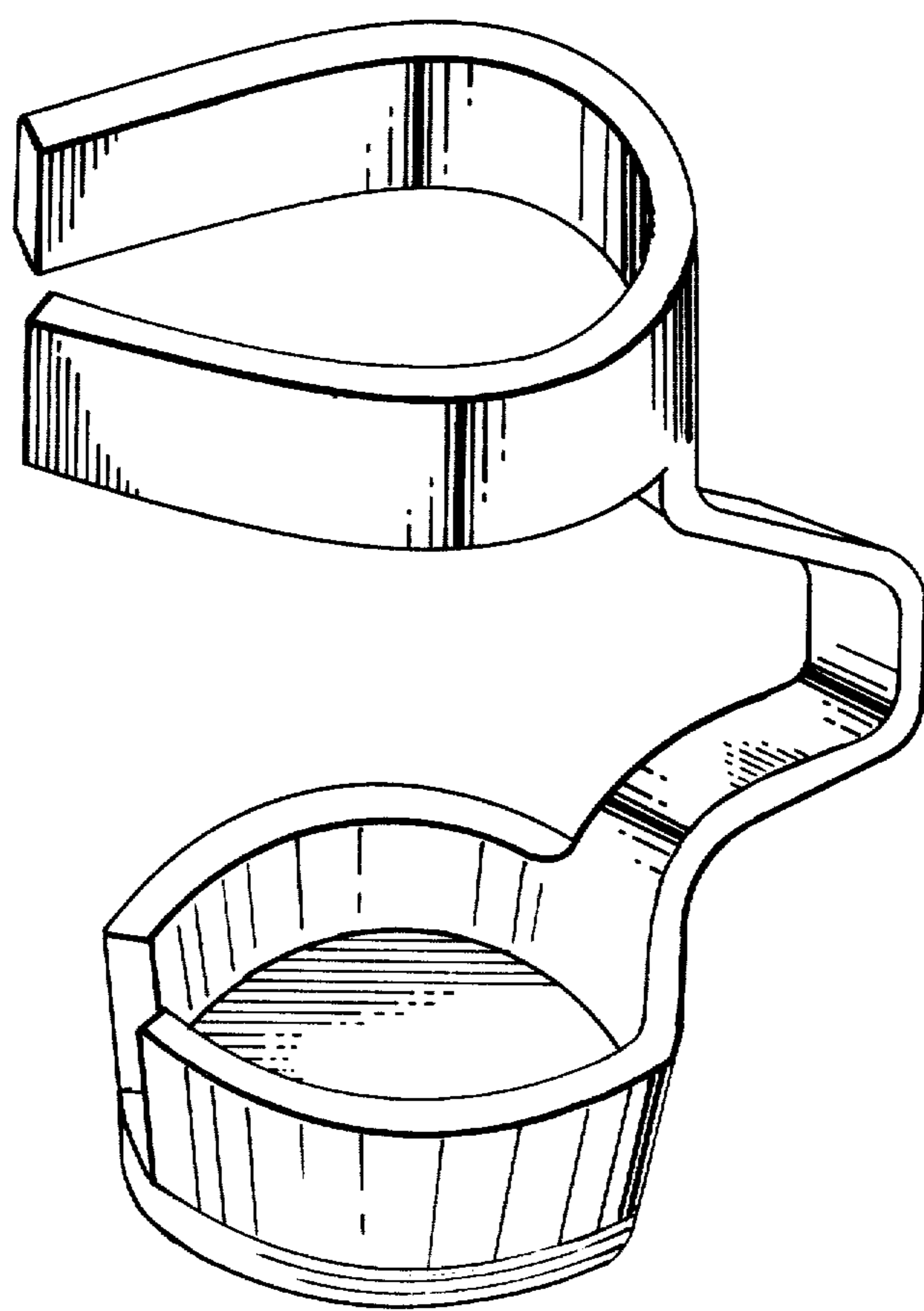


FIG. 1

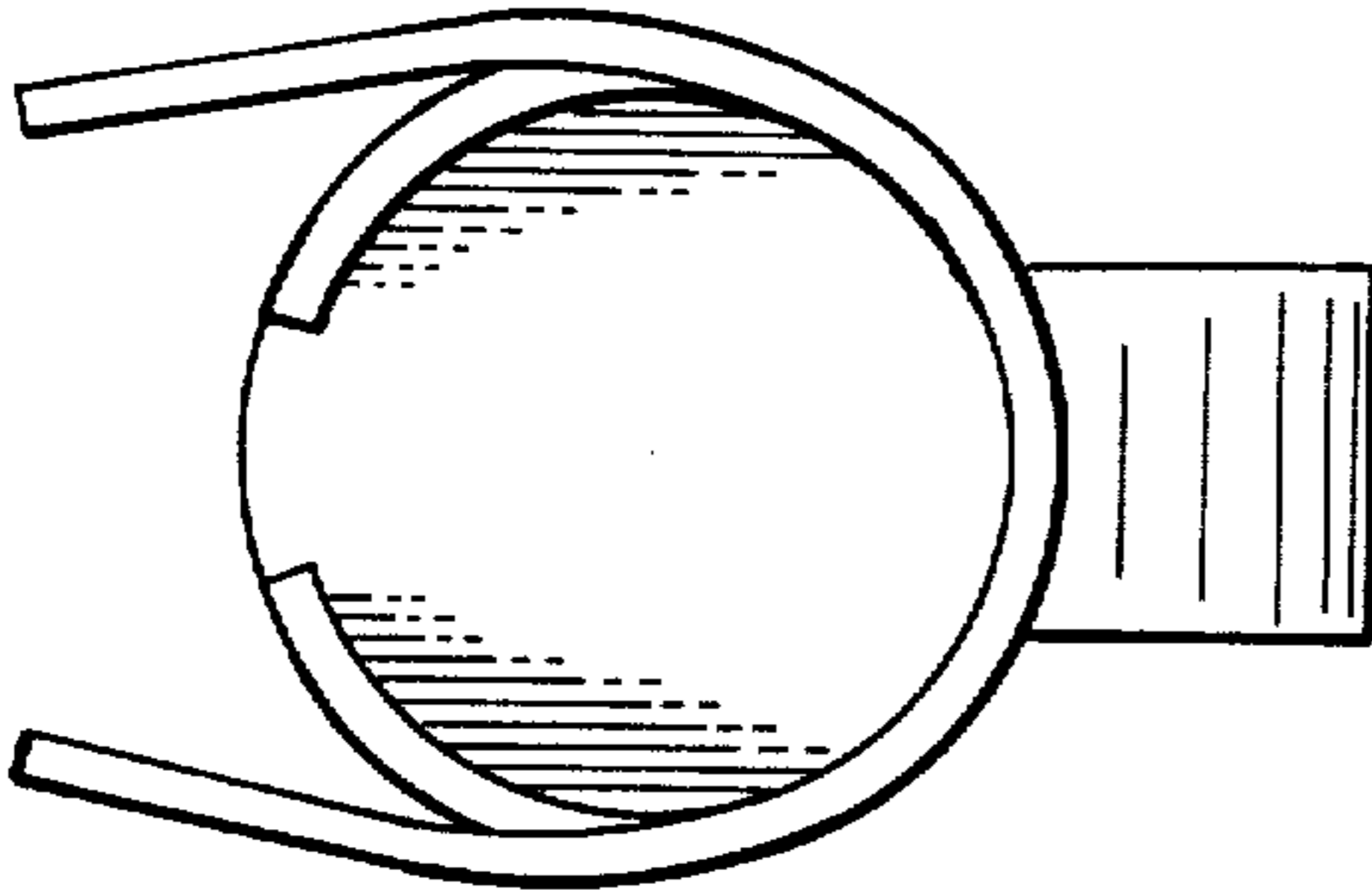


FIG. 2

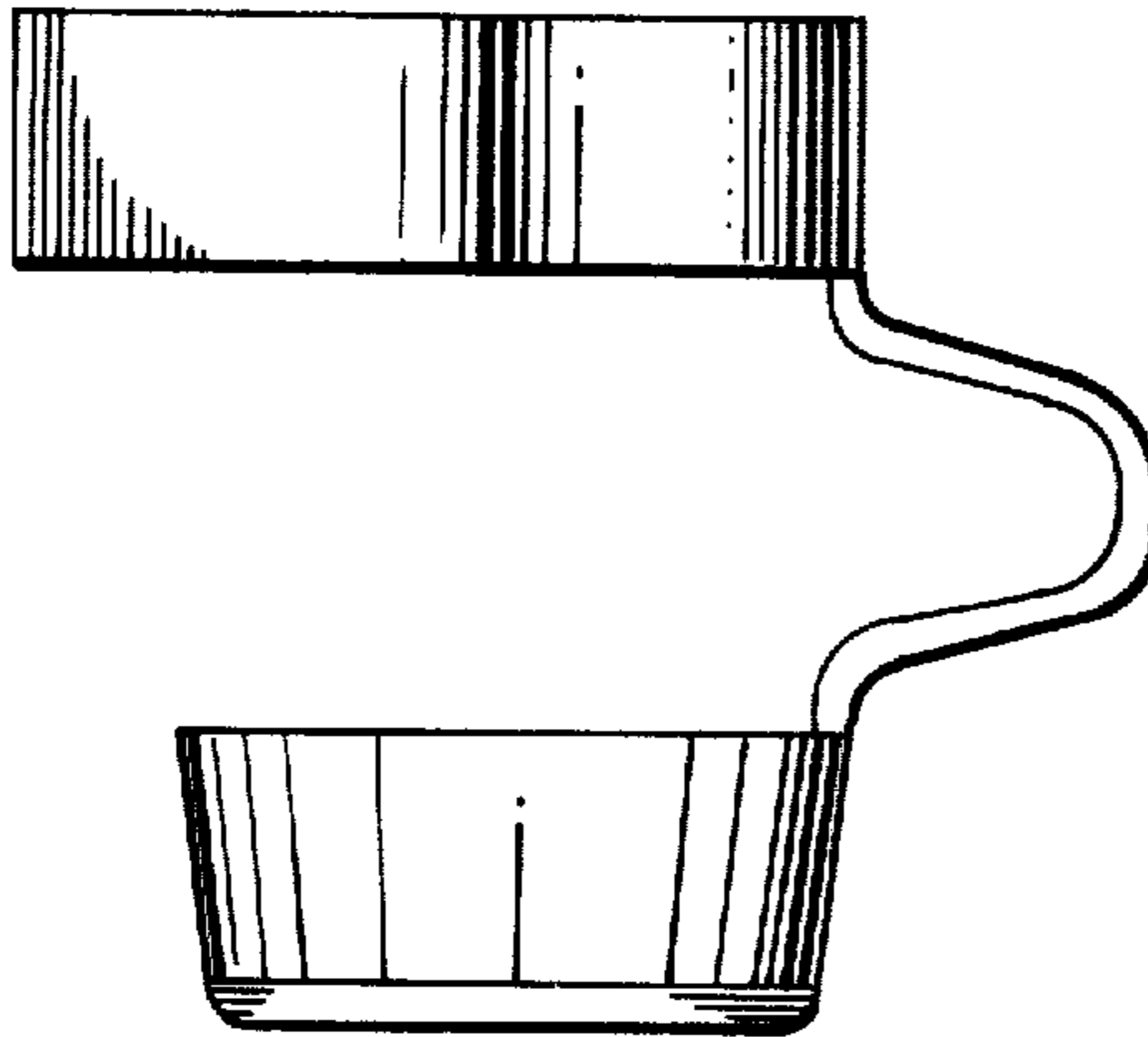


FIG. 3

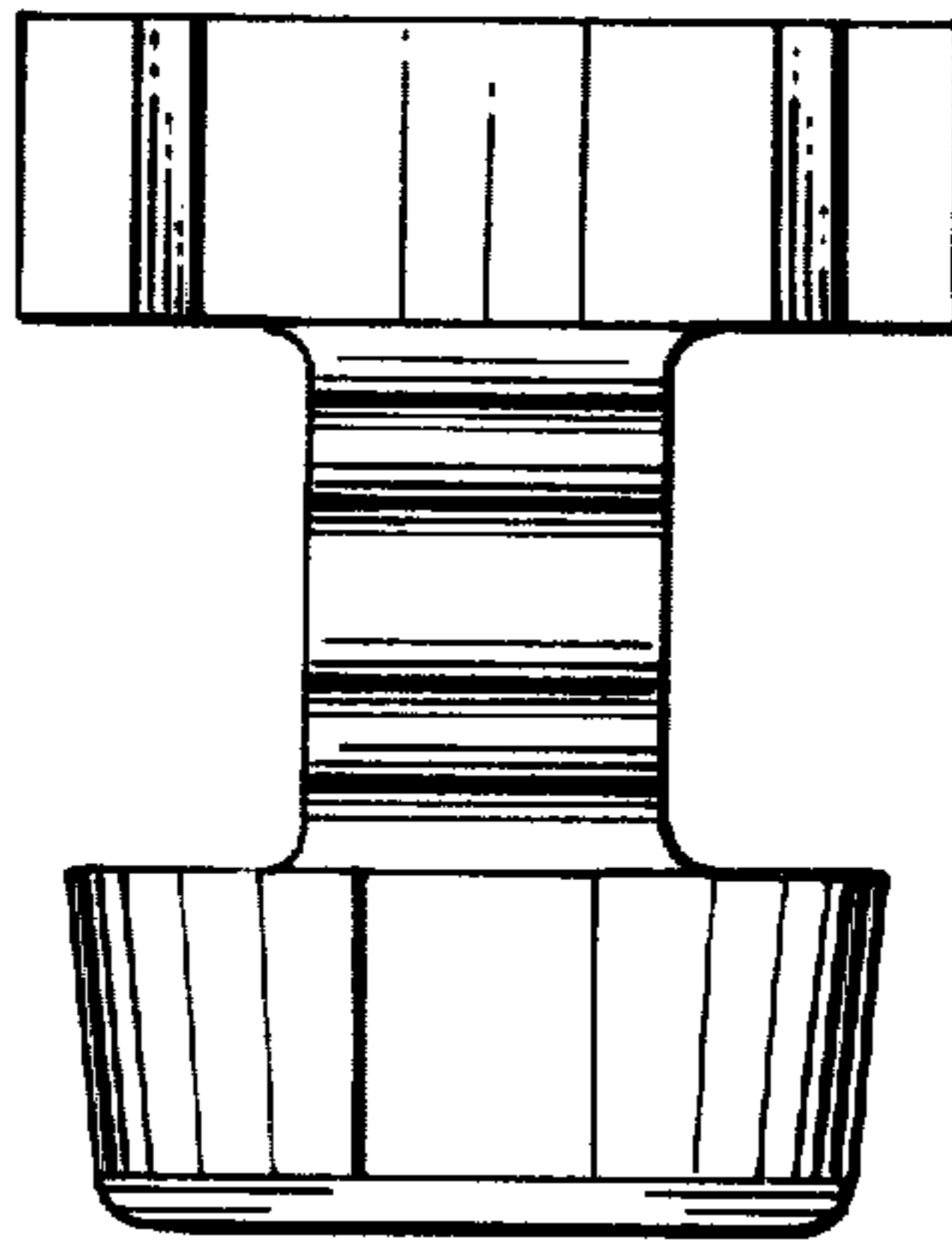


FIG. 4

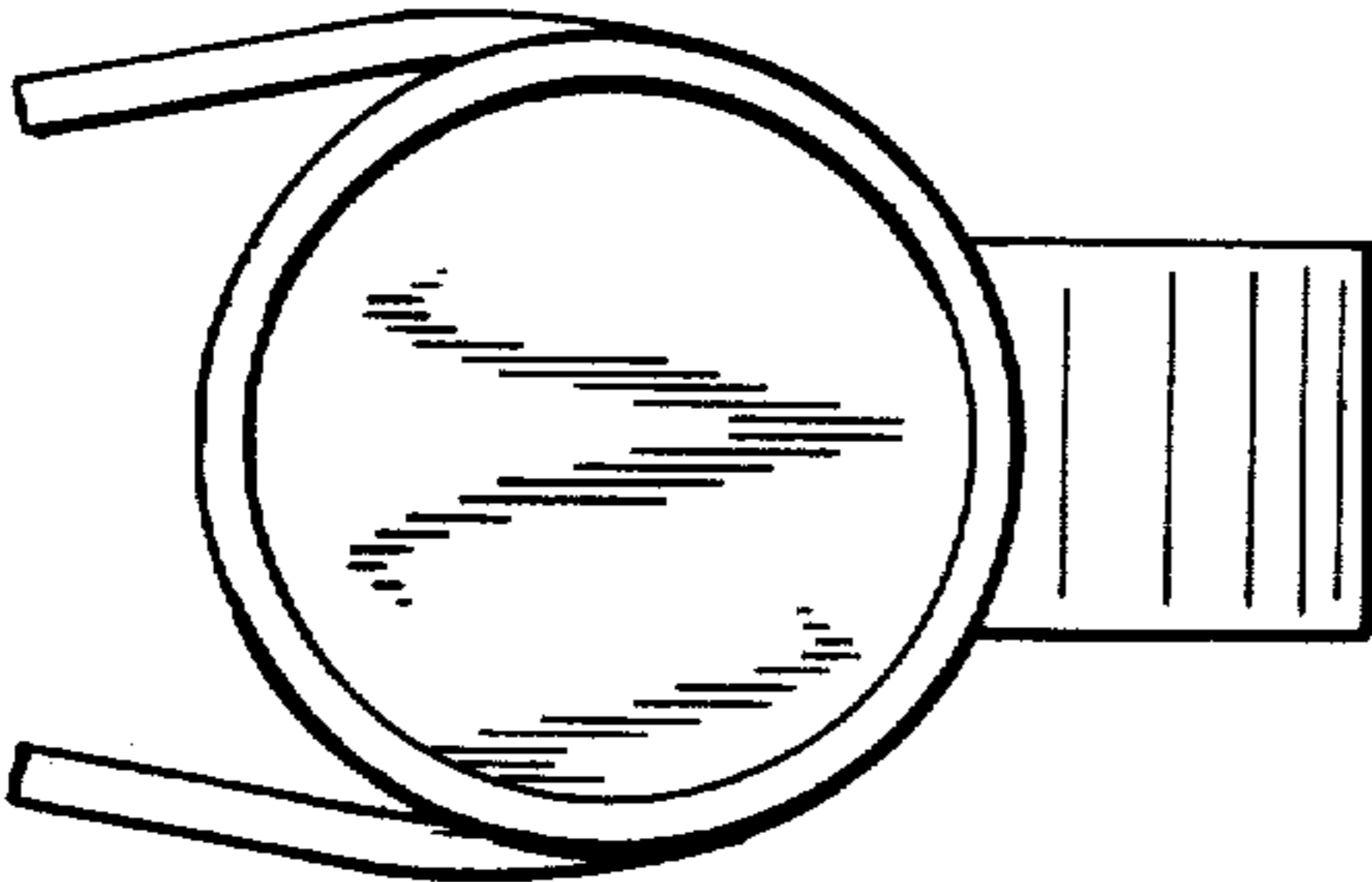


FIG. 5

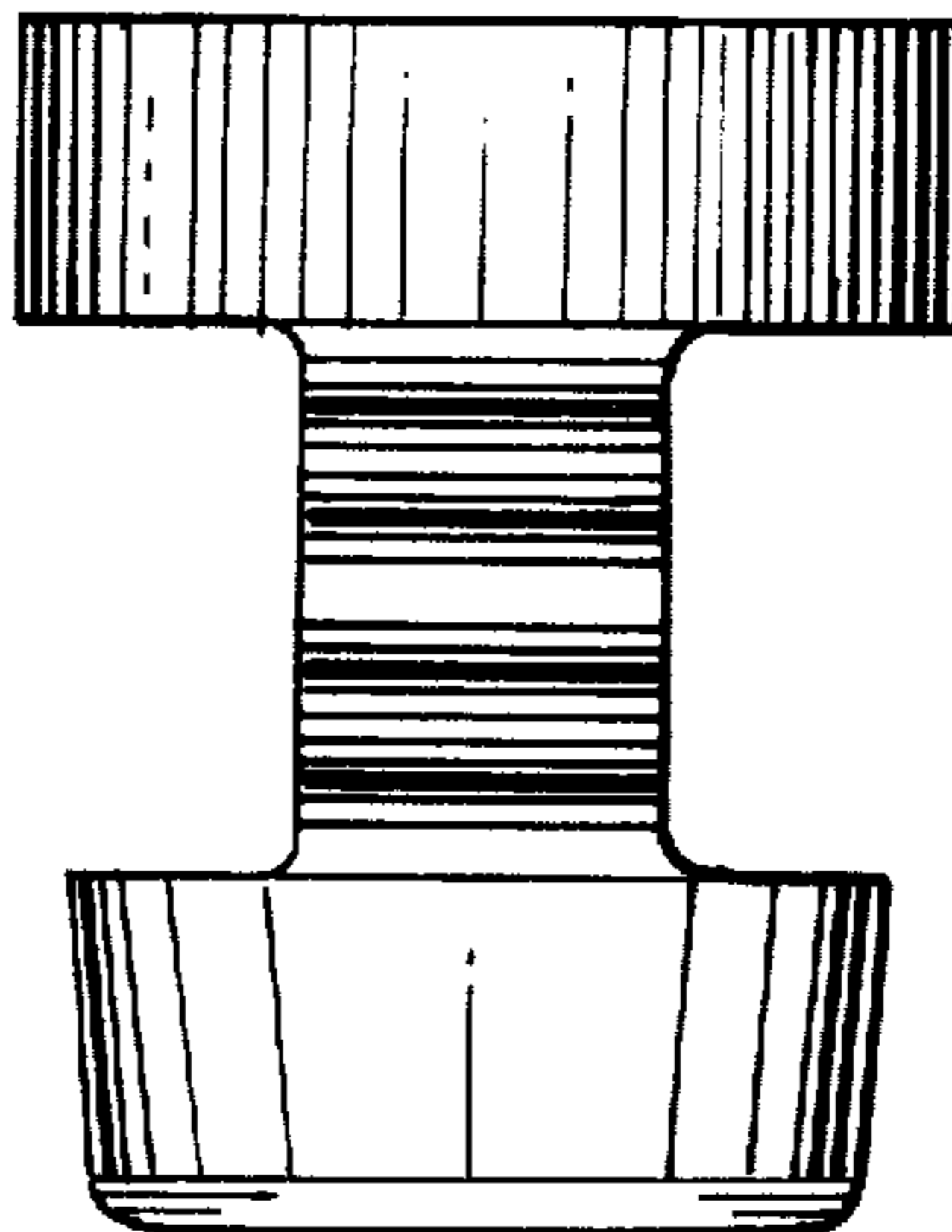


FIG. 6