

[54] CAKE BAKING FRAME

[75] Inventor: Helen Bisso, Fairview Heights, Ill.

[73] Assignee: Paul Bisso, Fairview Heights, Ill.

[**] Term: 14 Years

[21] Appl. No.: 146,233

[22] Filed: May 5, 1980

[51] Int. Cl. D07-02

[52] U.S. Cl. D7/43

[58] Field of Search D7/43, 5, 44; D1/15, D1/20; D9/307, 308

[56] References Cited

U.S. PATENT DOCUMENTS

D. 162,041 2/1951 Klein D7/43
3,093,093 6/1963 Ryan et al. D7/43 X

OTHER PUBLICATIONS

House Beautiful, Nov. 1974, p. 186, "Model Train Cookies", Locomotive Cutter shown, 4th down.

Thomas Mills & Brother, Excerpts from 1924 Cat. of Confectioner Tools & Mach., p. 21, #202 Wafer-Bicycle, bottom r.

Primary Examiner—Winifred E. Herrmann
Attorney, Agent, or Firm—Grace J. Fishel

[57] CLAIM

The ornamental design for a cake baking frame, as shown and described.

DESCRIPTION

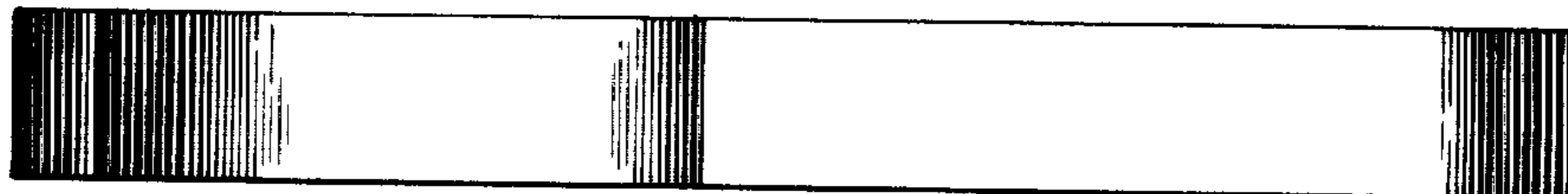
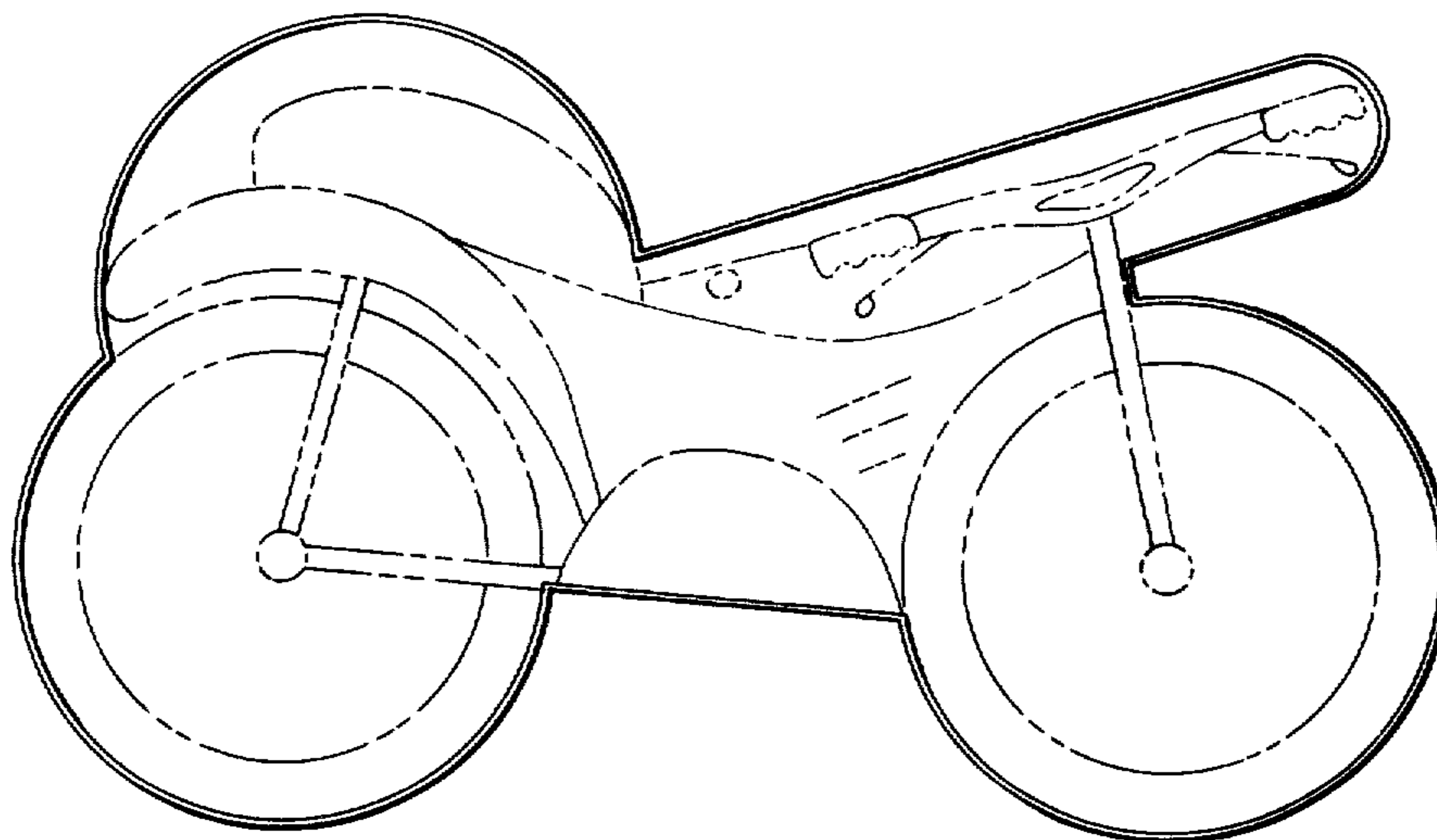
FIG. 1 is a plan view of a cake baking frame showing my new design, the broken line showing of the motorcycle being for illustrative purposes only;

FIG. 2 is a right end view thereof;

FIG. 3 is a top side view thereof;

FIG. 4 is a left end view thereof; and,

FIG. 5 is a bottom side view thereof.



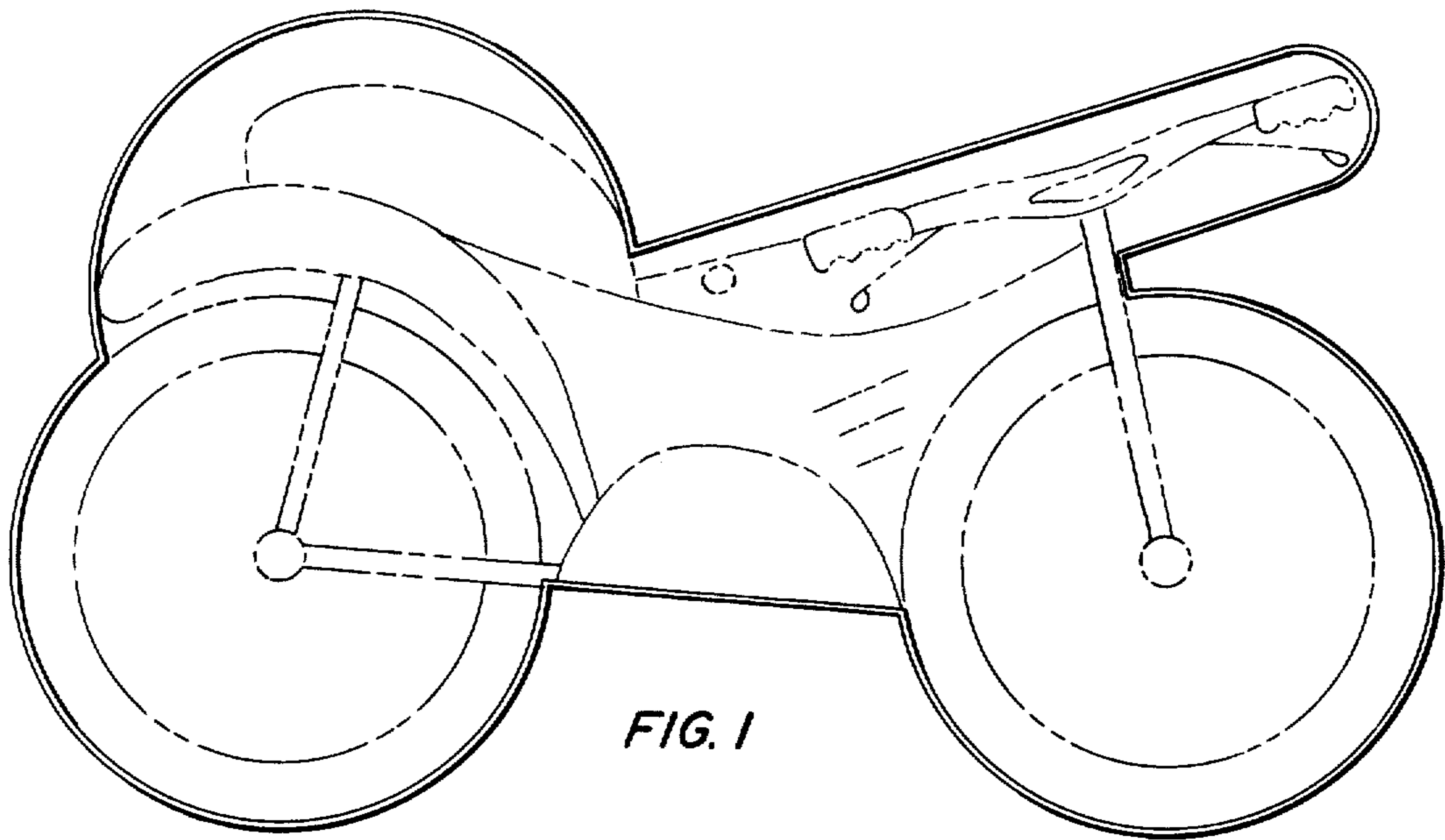


FIG. 2

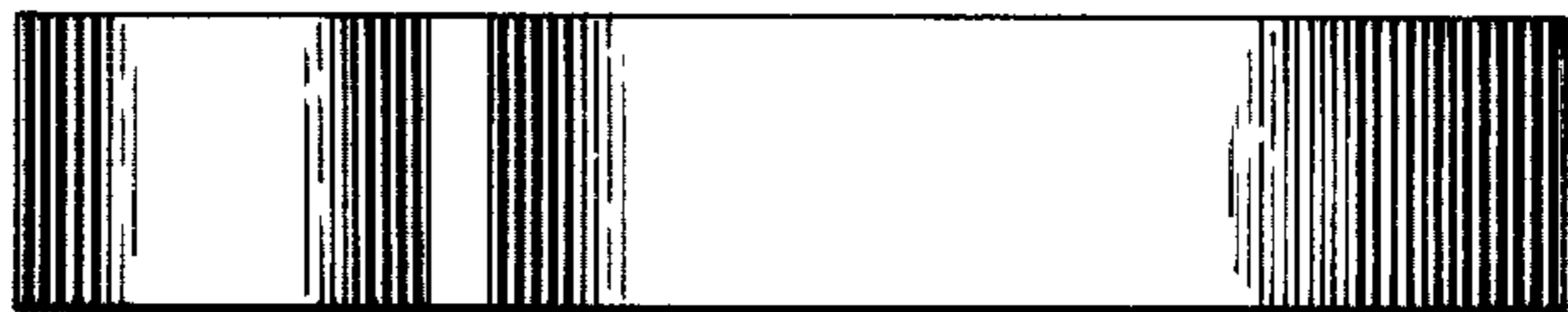


FIG. 3

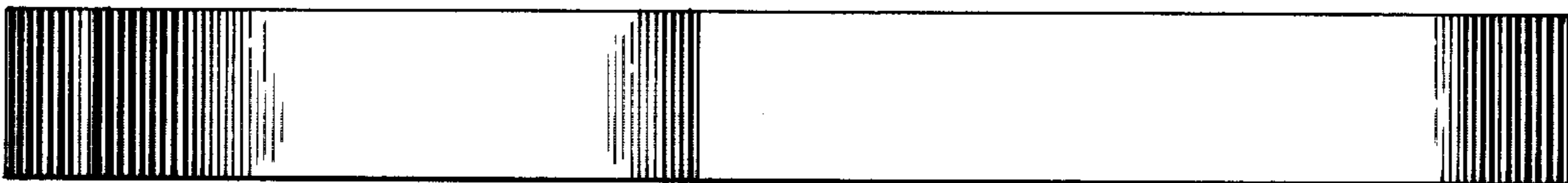


FIG. 4

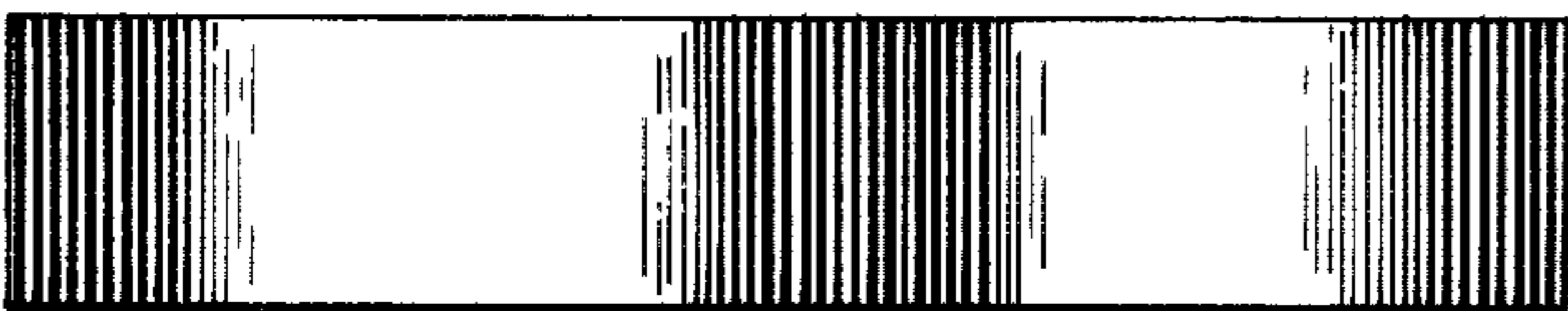


FIG. 5

