

[54] TOWEL RACK

[75] Inventor: Reg Littlefield, Toronto, Canada

[73] Assignee: Aqualine Products Limited,
Mississauga, Canada

[**] Term: 14 Years

[21] Appl. No.: 284,173

[22] Filed: Jul. 17, 1981

[51] Int. Cl. D23-02

[52] U.S. Cl. D6/101; D6/99

[58] Field of Search D6/86, 96, 97, 99, 101,
D6/149, 232, 241; D11/132; D8/306, 350-353;
211/87, 113

[56] References Cited

U.S. PATENT DOCUMENTS

D. 222,088 9/1971 Clayton D6/99

D. 238,035 12/1975 Tegner D6/99
D. 246,571 12/1977 Grieb D8/350
D. 254,460 3/1980 Tegner D6/99

OTHER PUBLICATIONS

Sweet's Architectural Catalog File 1977; Sec. 4,1/Vet;
p. 5; pattern of rectangles.

Primary Examiner—B. J. Bullock

[57] CLAIM

The ornamental design for a towel rack, as shown and
described.

DESCRIPTION

FIG. 1 is a perspective view of a towel rack showing
my new design;

FIG. 2 is a front elevational view thereof, the rear being
unornamented;

FIG. 3 is a side elevational view taken from the left of
FIG. 1, the side opposite being a mirror image;

FIG. 4 is a top plan view thereof.

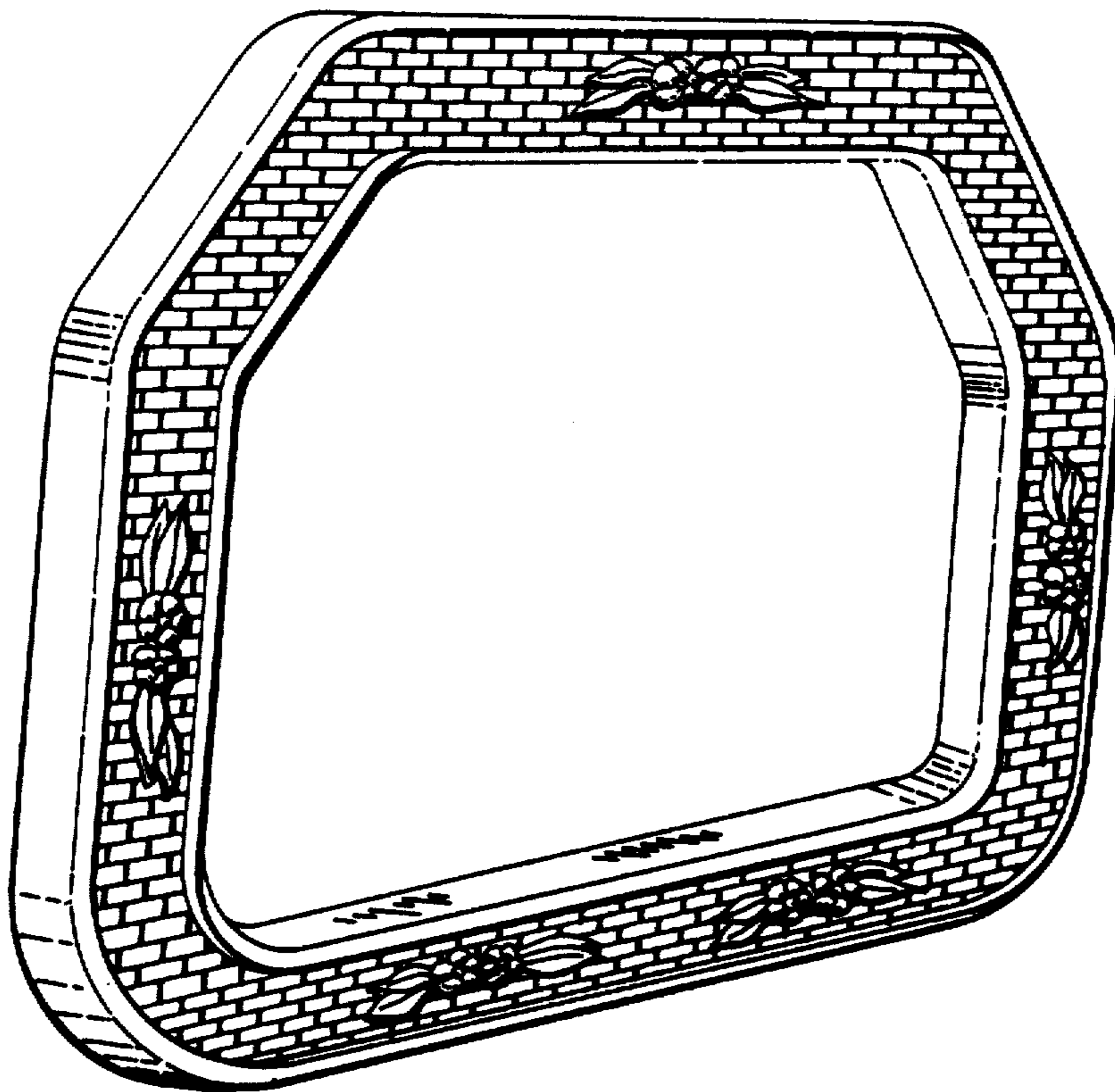


FIG. 1.

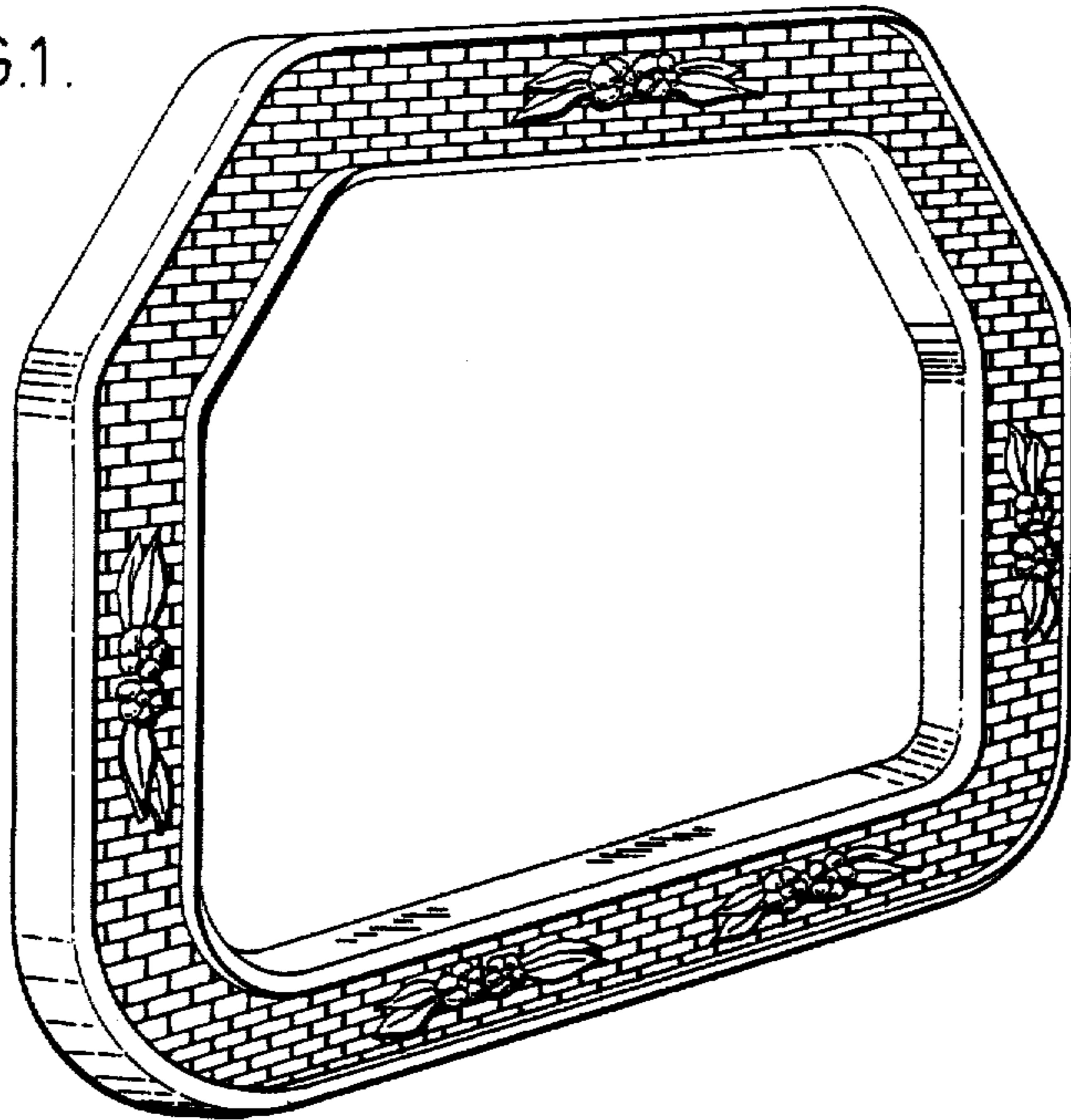


FIG. 3.

FIG. 2.

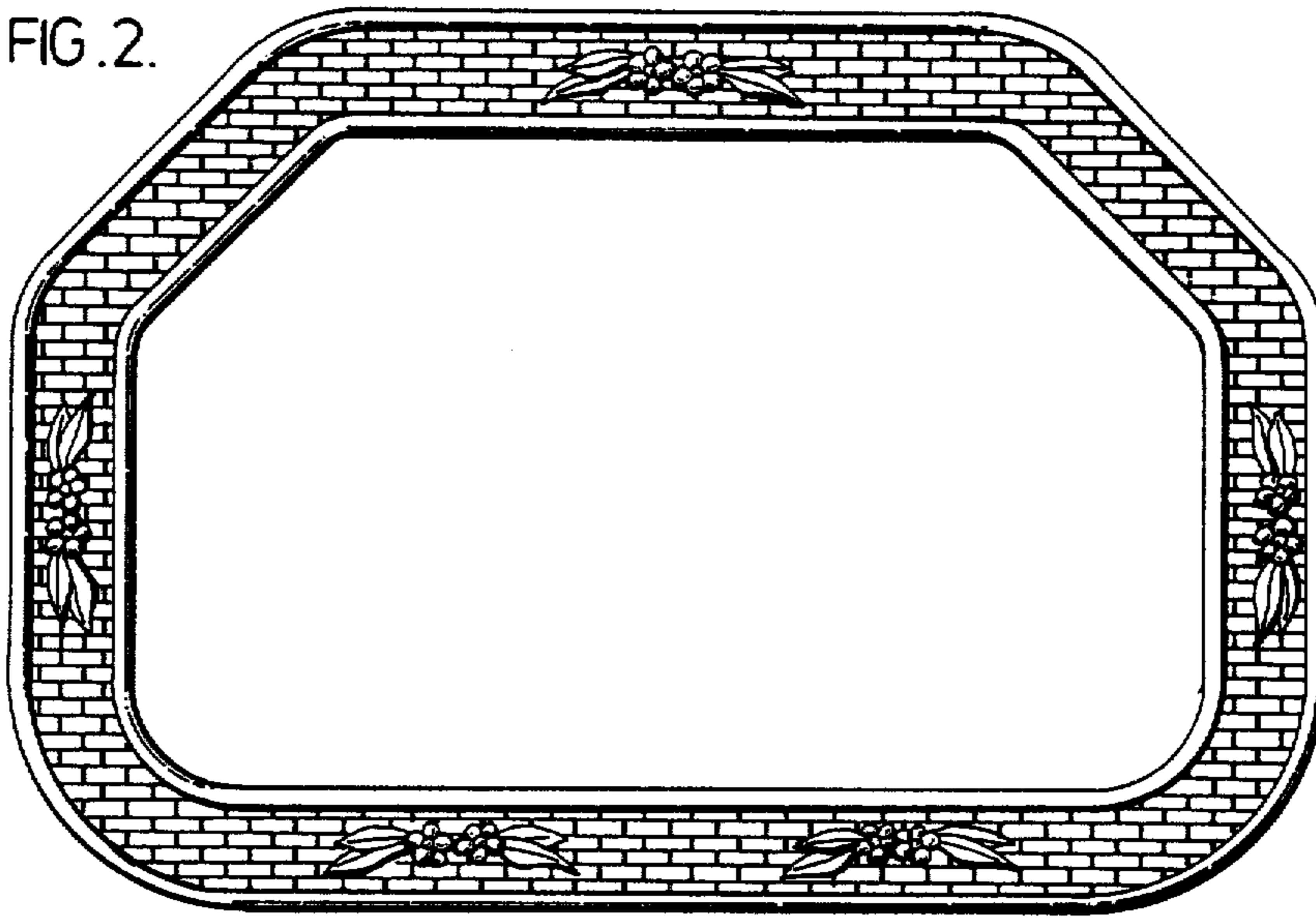


FIG. 4.