

[54] GUITAR STAND

[76] Inventor: Larry C. Smith, 22916 Juniper Ave., Torrance, Calif. 90505

[**] Term: 14 Years

[21] Appl. No.: 140,220

[22] Filed: Apr. 14, 1980

[51] Int. Cl. D6-06

[52] U.S. Cl. D6/85; D6/184; D19/91

[58] Field of Search D6/1, 85, 140, 180, D6/181, 184; D19/91; 211/13, 42; 248/152, 174, 441 R, 459

[56] References Cited

U.S. PATENT DOCUMENTS

D. 227,326	6/1973	Venuta	D6/184
D. 243,492	3/1977	Gorwits	D6/140
D. 249,953	10/1978	Drake	D19/91
2,421,232	5/1947	Applegate et al.	248/460
2,648,931	8/1953	Deveau	248/460
4,205,818	6/1980	Gawler	211/13 X

Primary Examiner—Joel Stearman

Assistant Examiner—Carmen H. Vales

[57] CLAIM

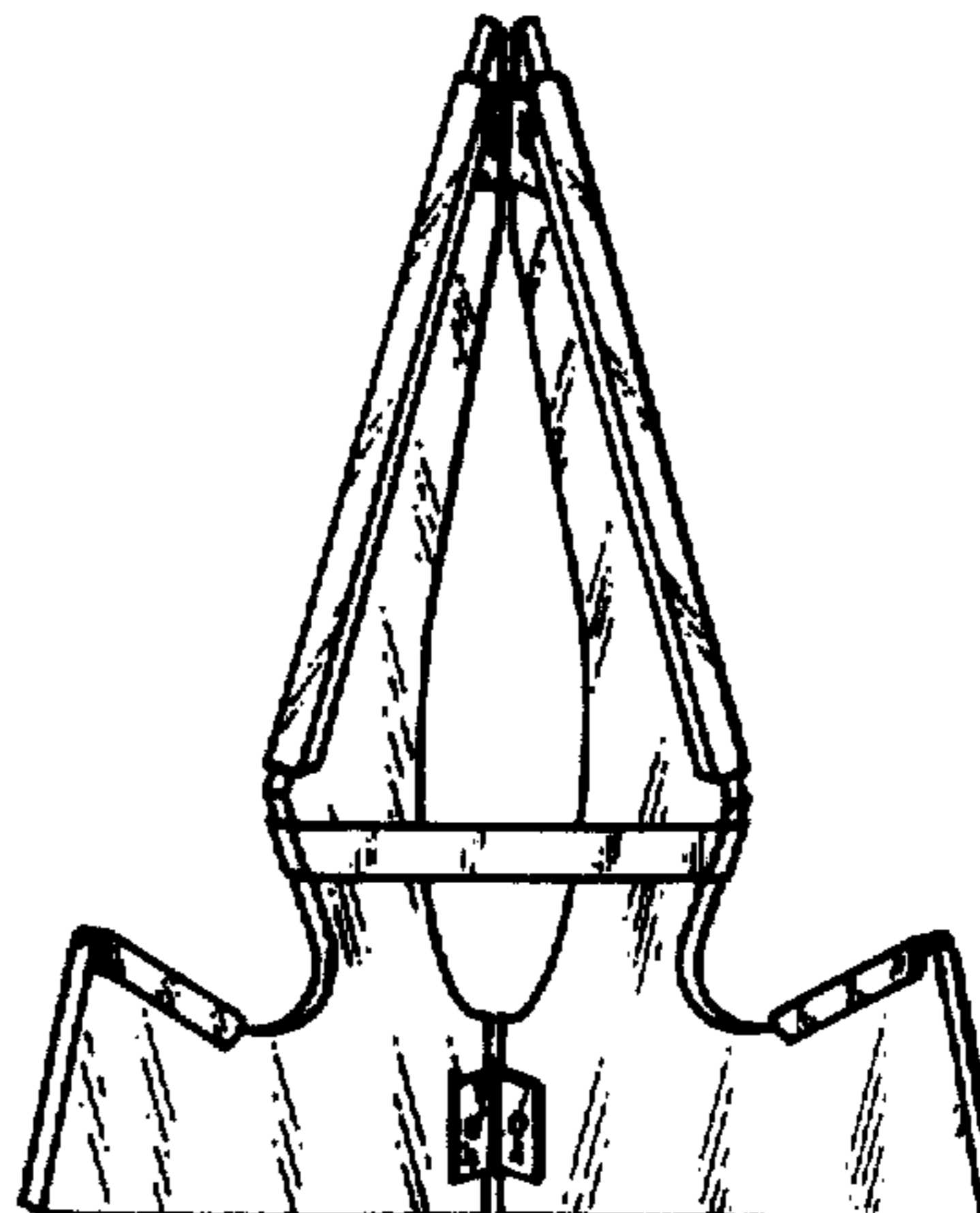
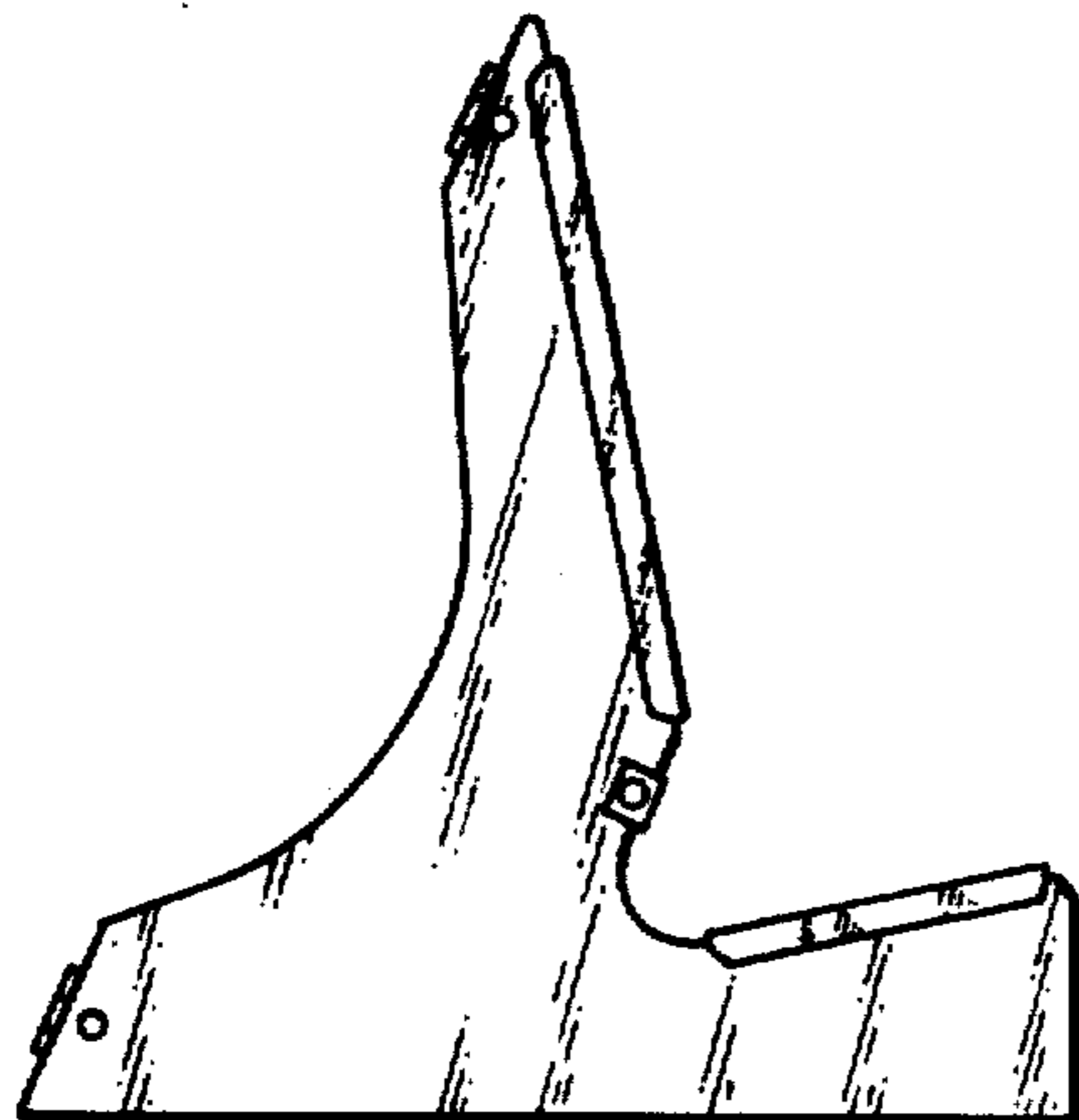
The ornamental design for a guitar stand, as shown.

DESCRIPTION

FIG. 1 is a side elevational view of the guitar stand, showing my new design;

FIG. 2 is a front elevational view thereof; and

FIG. 3 is a top plan view thereof.



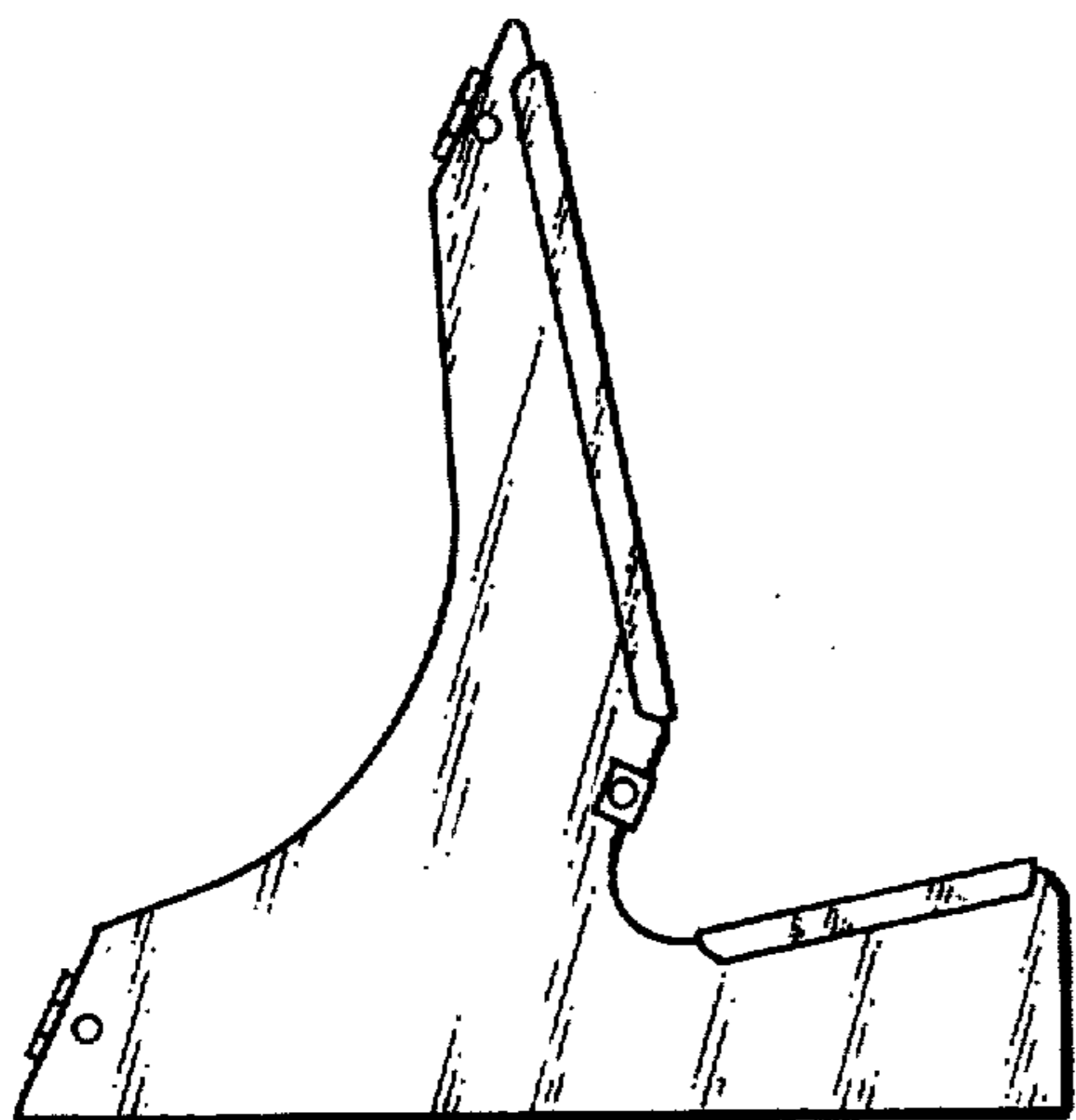


FIG. 1

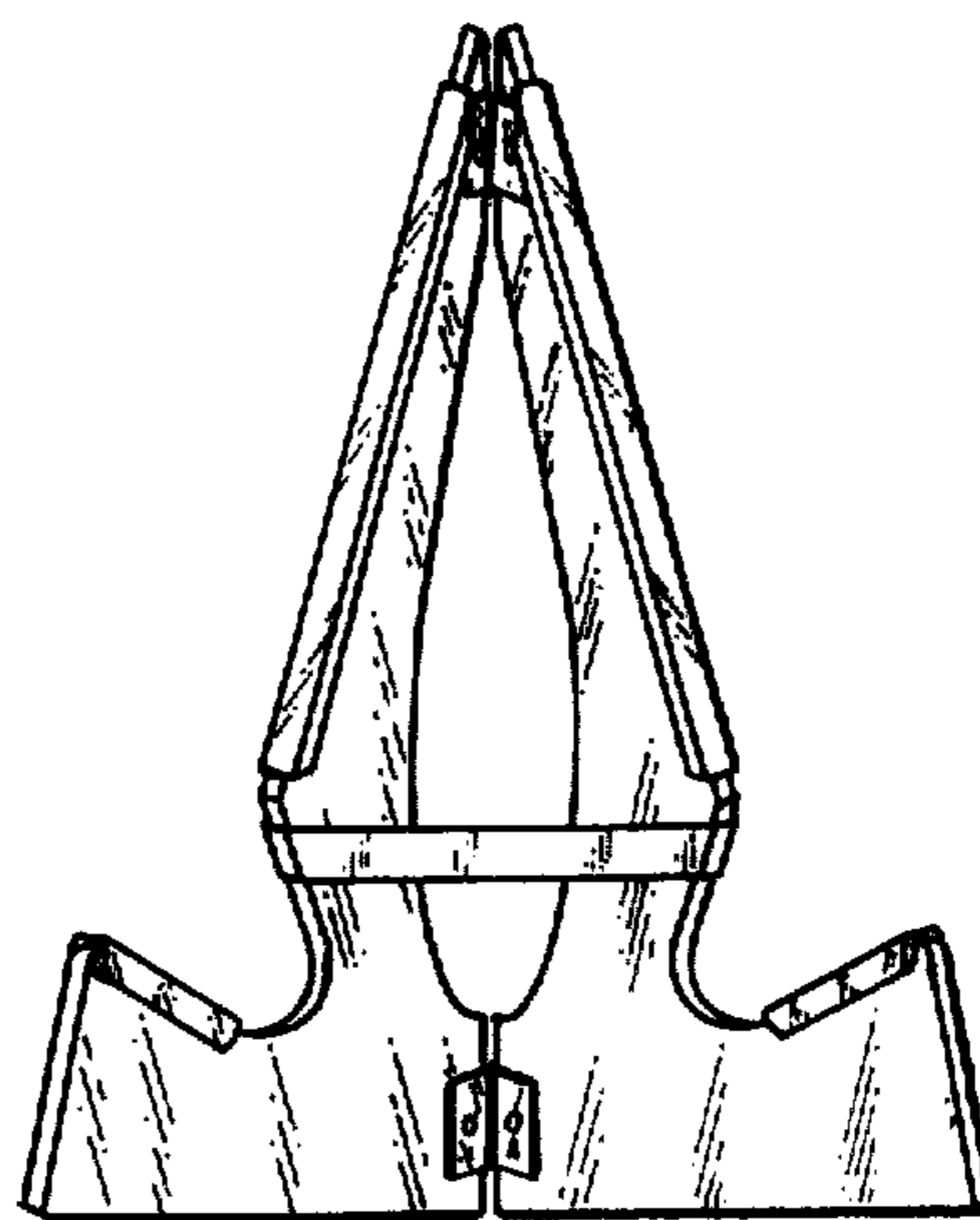


FIG. 2

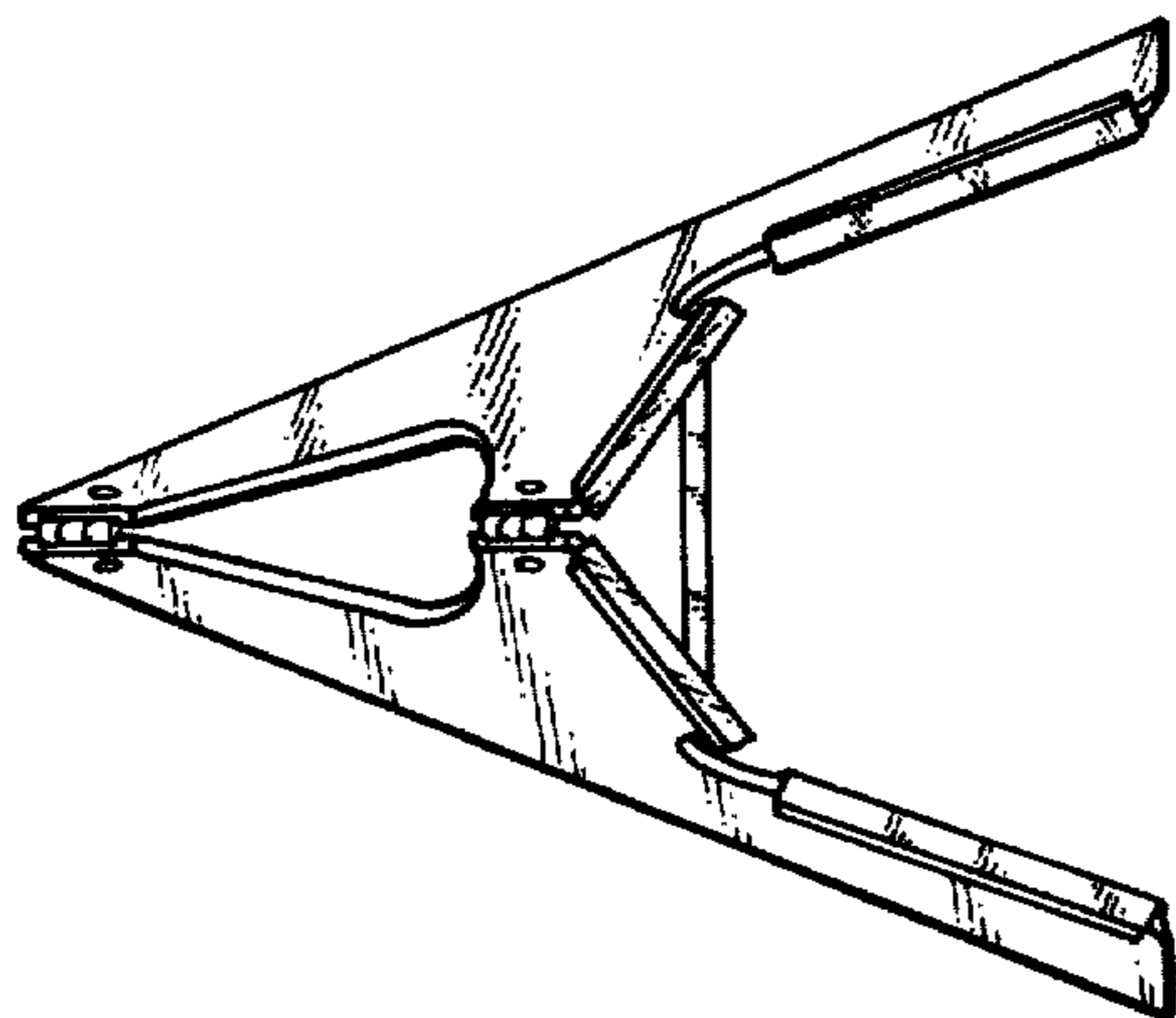


FIG. 3