

[54] APPAREL DISPLAY RACK

[76] Inventor: John A. Rekow, 6130 SW. Taylors Ferry Rd., Portland, Oreg. 97219

[**] Term: 14 Years

[21] Appl. No.: 109,646

[22] Filed: Jan. 4, 1980

[51] Int. Cl. D06-06

[52] U.S. Cl. D6/85

[58] Field of Search D6/1, 85, 99, 100, 151, D6/186, 181; 211/1, 8, 182, 206

[56] References Cited

PUBLICATIONS

"Garment Display Racks for the Apparel Industry", by J. D. Industries, ©1977, p. 13; Folding Four Way #1110, top left rack.

"The Presenters", by Kason Fixture-Ware, inside back cover costumer #6453.

Visual Merchandising, Jun. 1977; p. 34; "Levin Fixture", top right of page.

Primary Examiner—Joel Stearman

Assistant Examiner—Carmen H. Vales

Attorney, Agent, or Firm—James D. Givnan, Jr.

[57] CLAIM

The ornamental design for an apparel display rack, as shown and described.

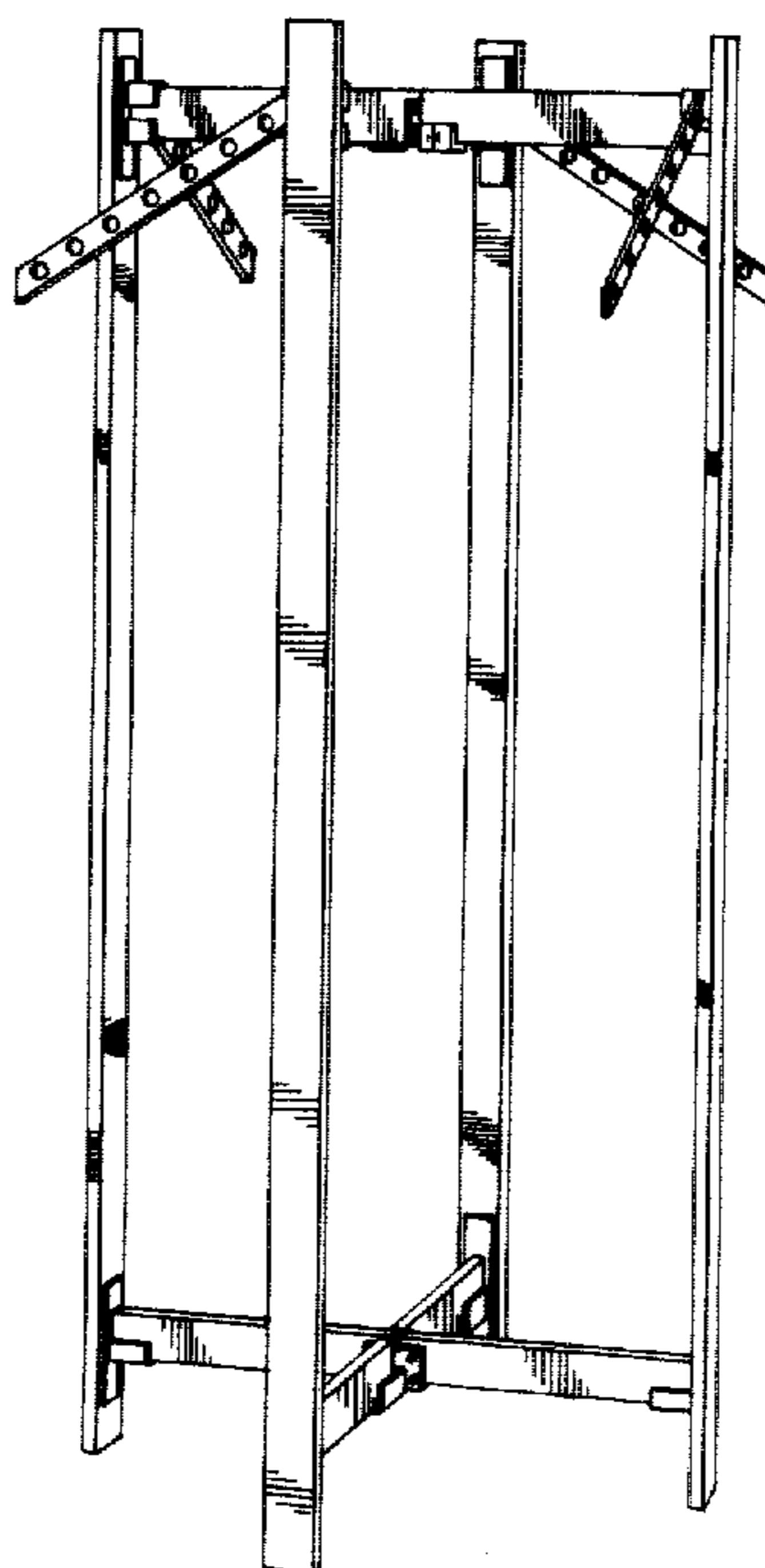
DESCRIPTION

FIG. 1 is a perspective view of an apparel display rack showing my new design;

FIG. 2 is a reduced elevational view thereof, the other sides of the rack being a mirror image thereof;

FIG. 3 is a top plan view thereof; and

FIG. 4 is a bottom plan view thereof.



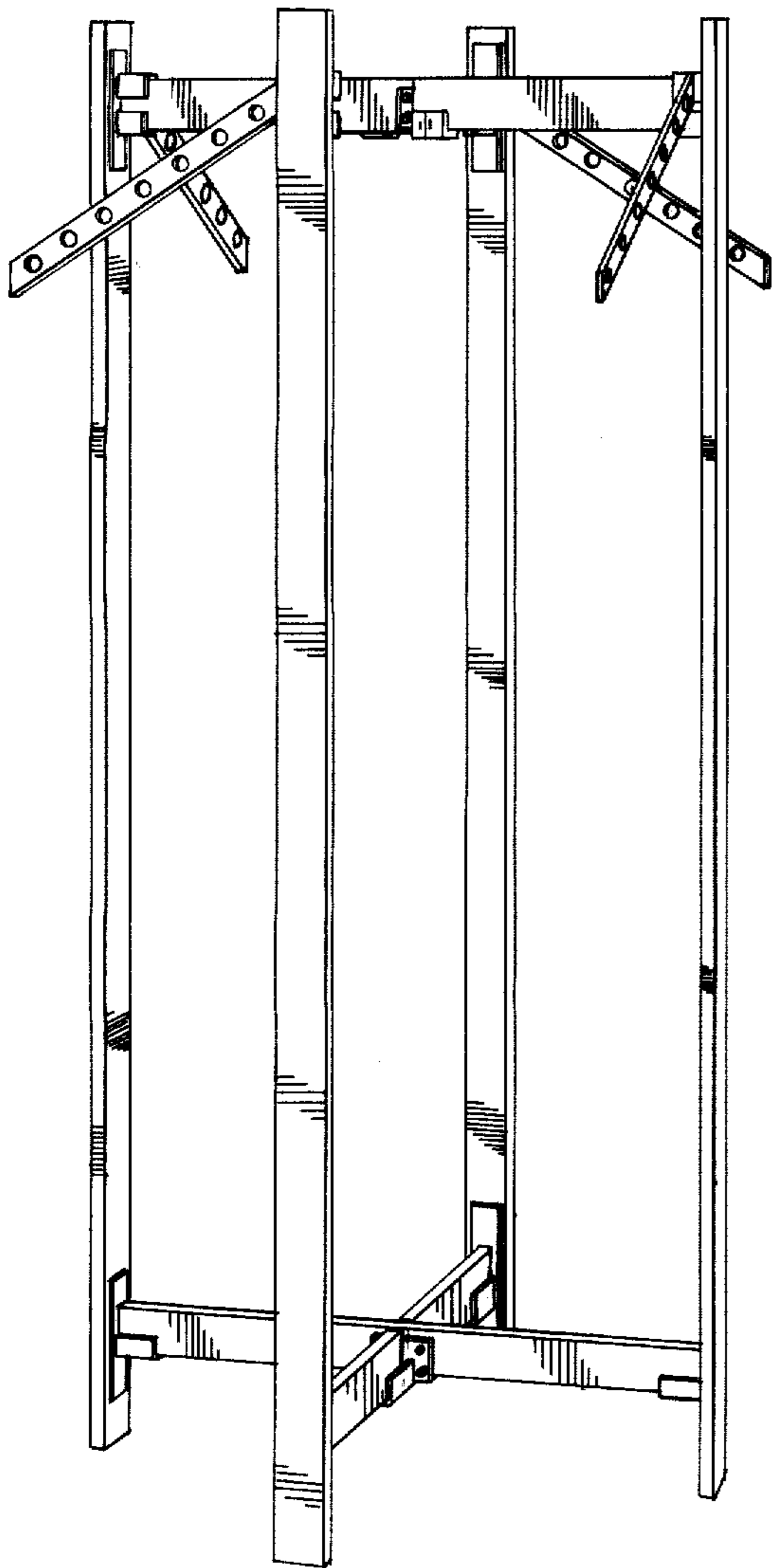


FIG. 1

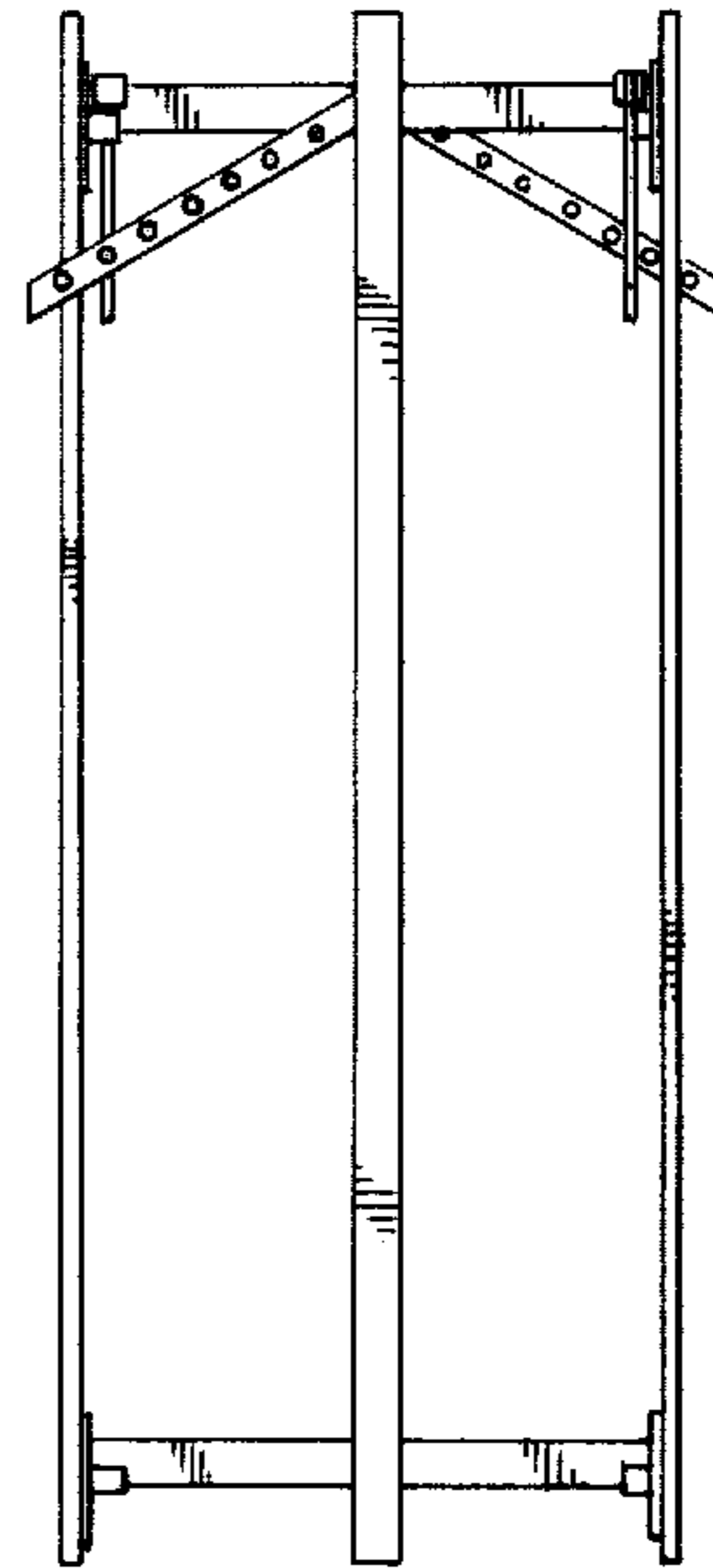


FIG. 2

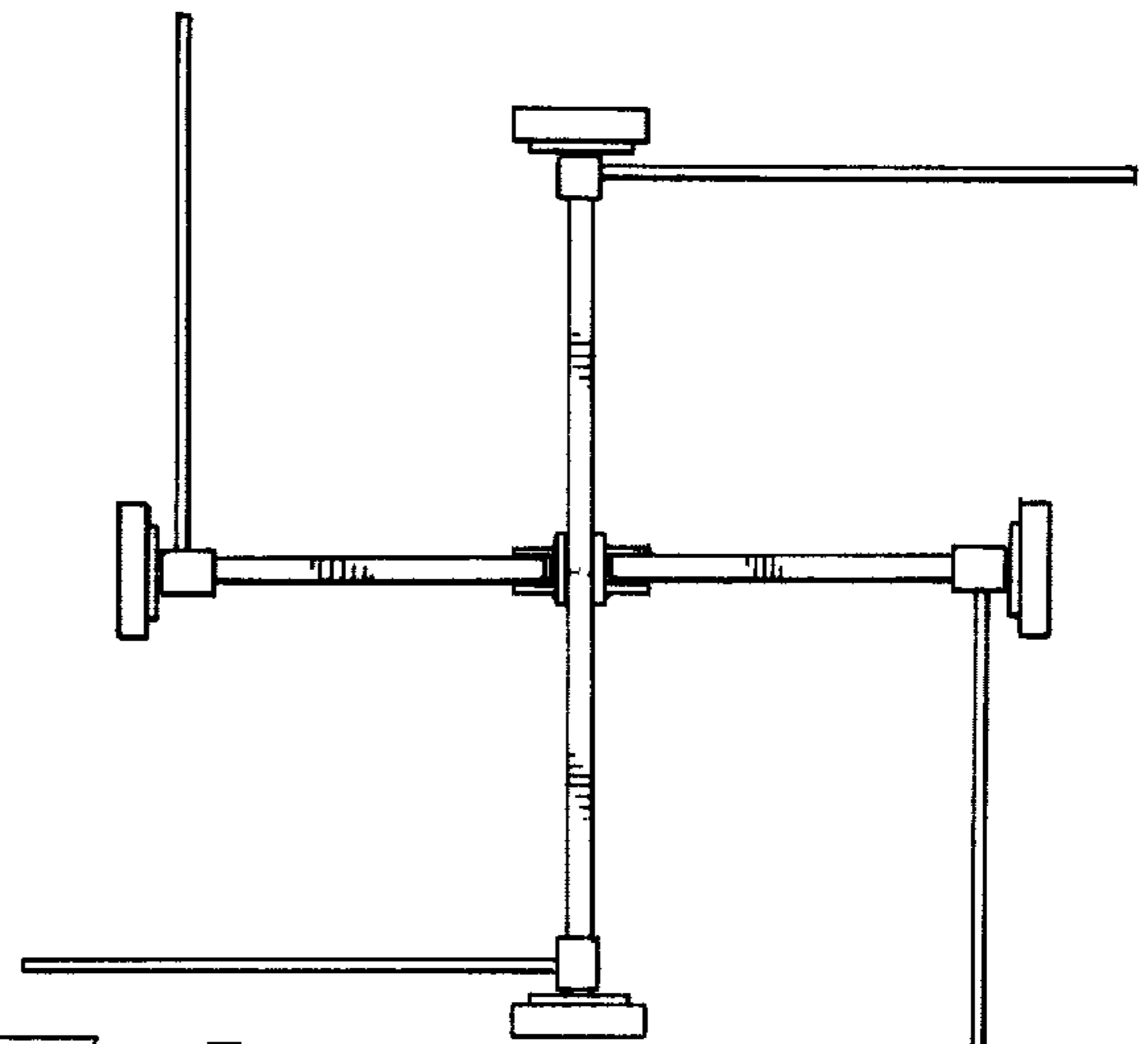


FIG. 3

FIG. 4

