

[54] TRANSPARENT LOCK BOX

[75] Inventor: Craig S. Margulis, Los Angeles, Calif.

[73] Assignee: Acrylic Creations, Inc., Van Nuys, Calif.

[**] Term: 14 Years

[21] Appl. No.: 130,287

[22] Filed: Mar. 14, 1980

[51] Int. Cl. D3-02

[52] U.S. Cl. D3/78; D3/39

[58] Field of Search D3/30, 39, 74, 75, 78; D9/414, 420, 423, 432; D27/43, 46

[56] References Cited

U.S. PATENT DOCUMENTS

- D. 71,406 11/1926 Purchas D3/78
- D. 97,441 11/1935 Scully D9/432

- D. 202,401 9/1966 Black D3/39
- D. 225,479 12/1972 Zottola D3/74

OTHER PUBLICATIONS

Bradley Industries Cat., 1st Ed., 1962, p. 17, Item No. 700F.

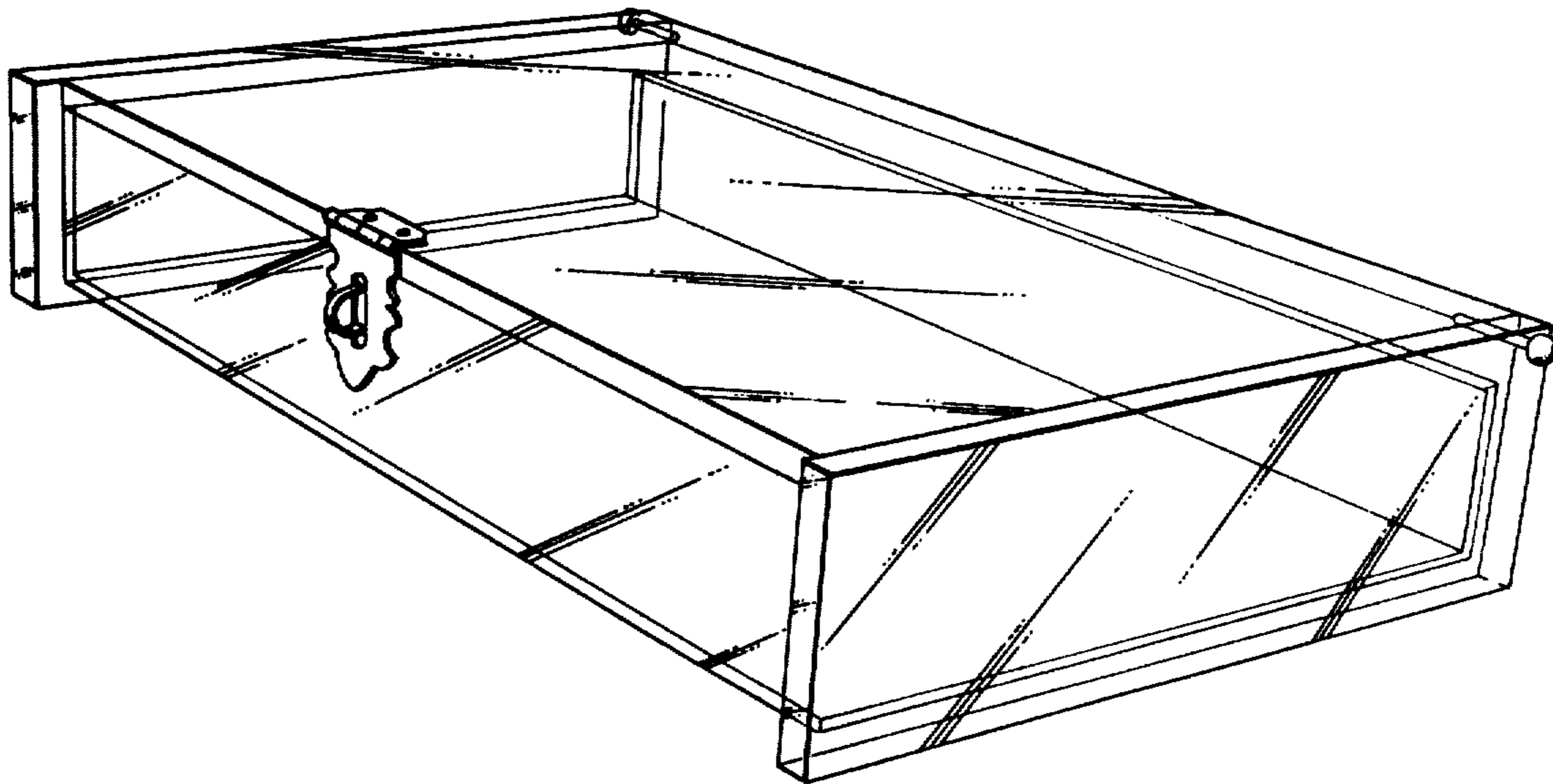
Primary Examiner—George P. Word
Attorney, Agent, or Firm—Nilsson, Robbins, Dalgam, Berliner, Carson and Wurst

[57] CLAIM

The ornamental design for a transparent lock box, substantially as shown and described.

DESCRIPTION

FIG. 1 is a perspective view of a transparent lock box showing my new design;
FIG. 2 is a rear elevational view thereof;
FIG. 3 is a right side elevational view, the opposite side being a mirror image thereof; and
FIG. 4 is a bottom plan view thereof.



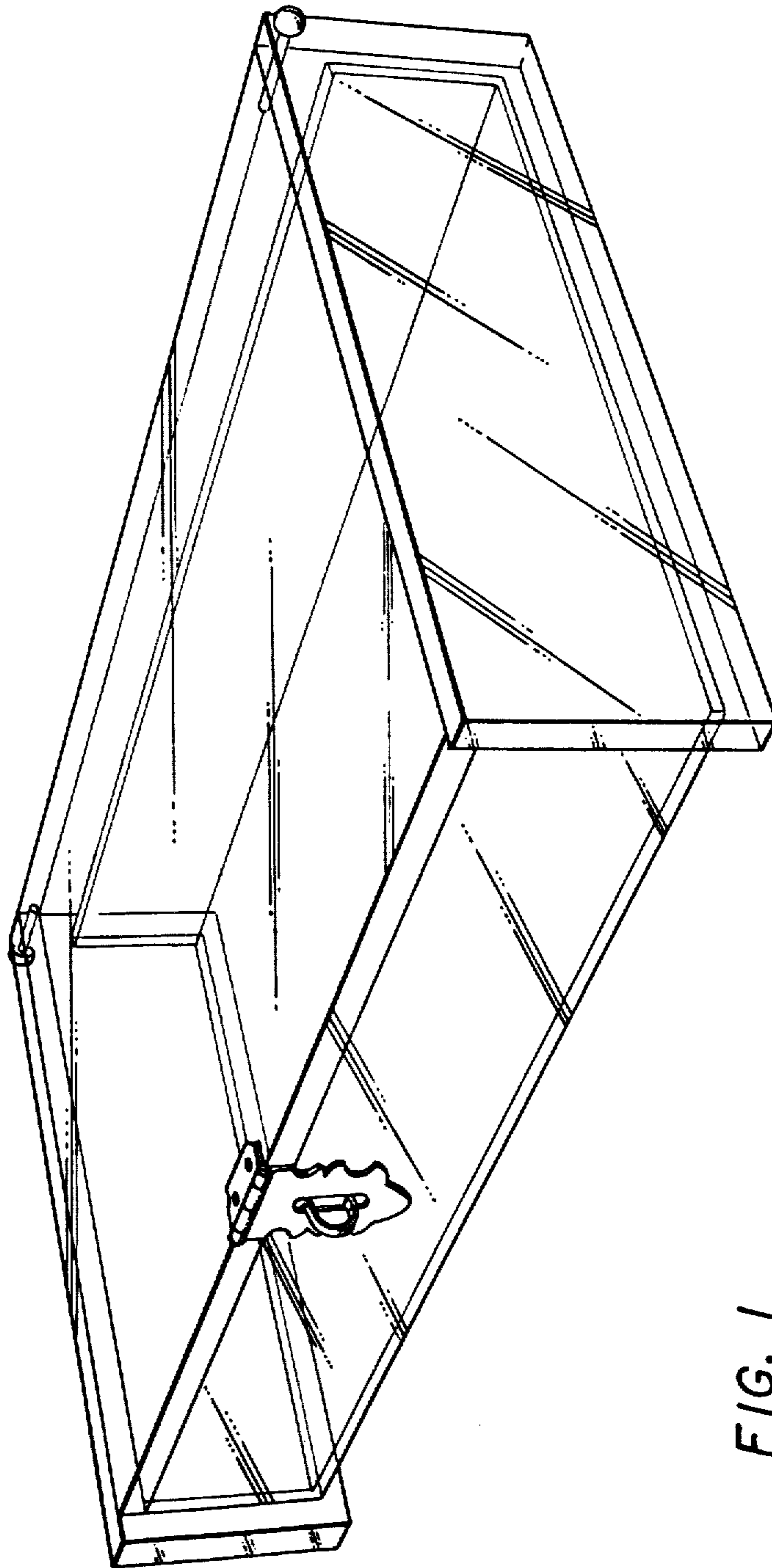


FIG. 1

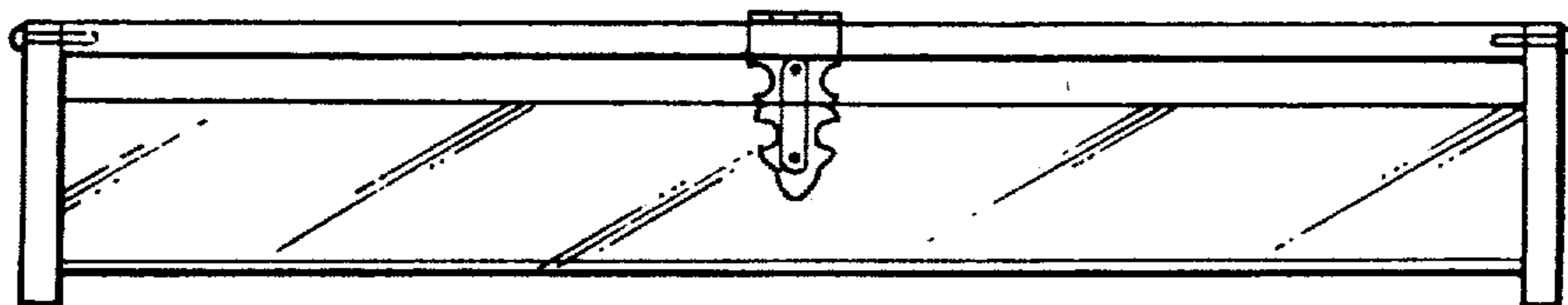


FIG. 2

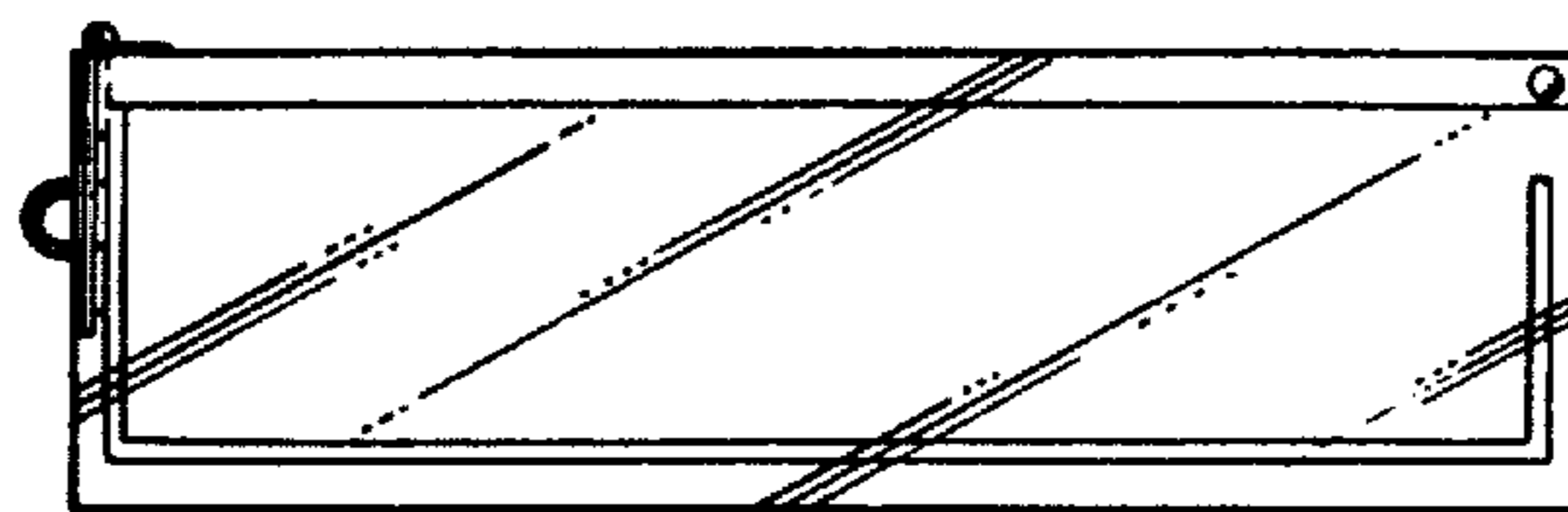


FIG. 3

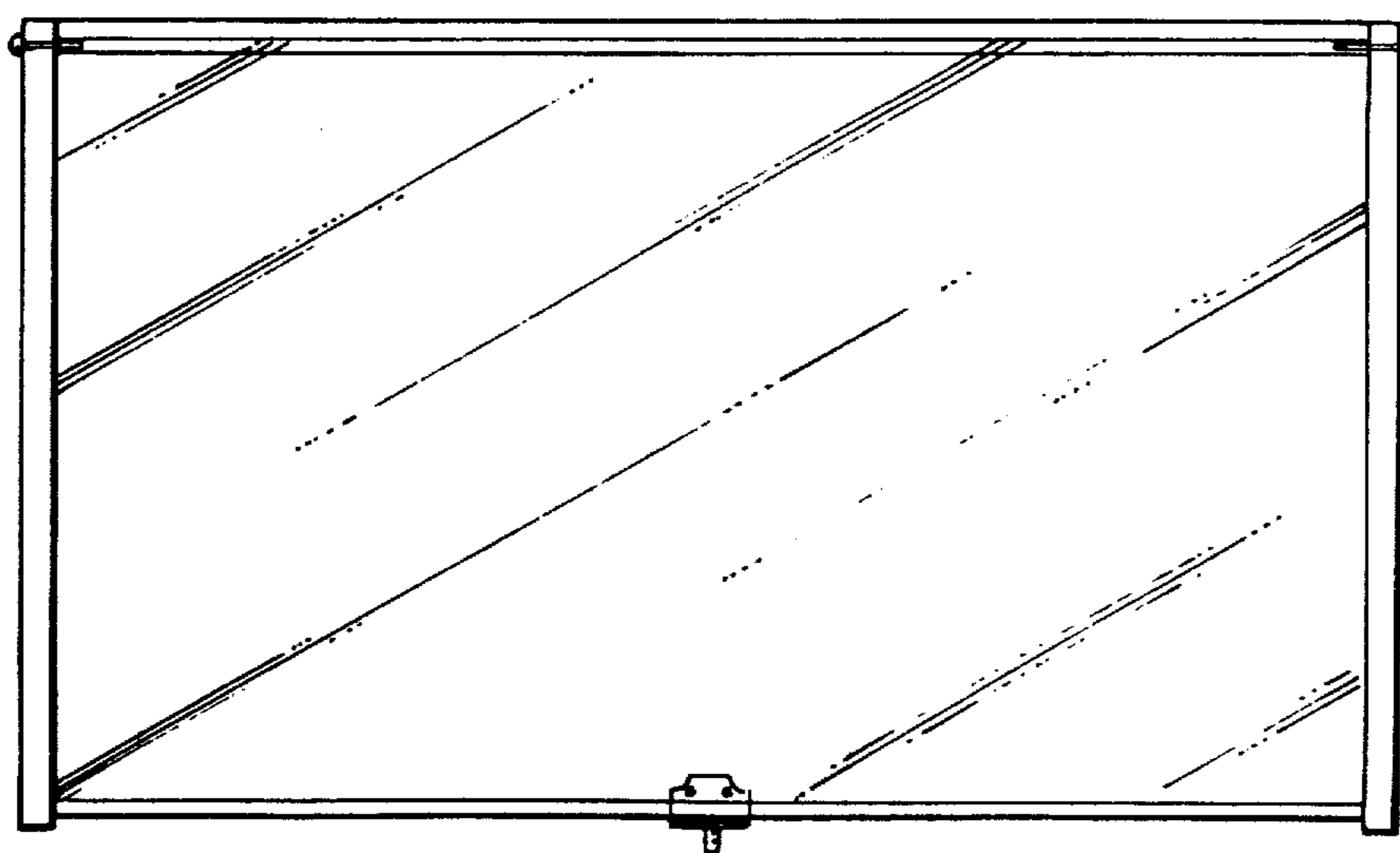


FIG. 4