

[54] FOLDABLE PACKET FOR STORING AND DISPLAYING A JEWELRY ARTICLE

[75] Inventors: James R. Stephens, New York, N.Y.; Margaret Grieve, Towaco, N.J.

[73] Assignee: General Mills Products Corp., Minneapolis, Minn.

[**] Term: 14 Years

[21] Appl. No.: 107,687

[22] Filed: Dec. 27, 1979

[51] Int. Cl. D3-02

[52] U.S. Cl. D3/56

[58] Field of Search D3/56-60; D6/232-234, 245; 206/45.14, 45.15, 45.17, 45.31, 472, 477

[56] References Cited

U.S. PATENT DOCUMENTS

D. 137,732	4/1944	Mitchell	D19/26
D. 175,394	8/1955	Copen	D3/56
1,183,252	5/1916	Sterne	206/472
1,486,629	3/1924	Buchsbaum	206/472
1,874,554	8/1932	Liedel	D3/56

Primary Examiner—George P. Word

Attorney, Agent, or Firm—L. MeRoy Lillehaugen; Gene O. Enockson

[57] CLAIM

The ornamental design for a foldable packet for storing and displaying a jewelry article, substantially as shown and described.

DESCRIPTION

FIG. 1 is a front elevational view of a foldable packet for storing and displaying a jewelry article, showing our new design;

FIG. 2 is a right side elevational view;

FIG. 3 is a left side elevational view;

FIG. 4 is a top plan view;

FIG. 5 is a bottom plan view;

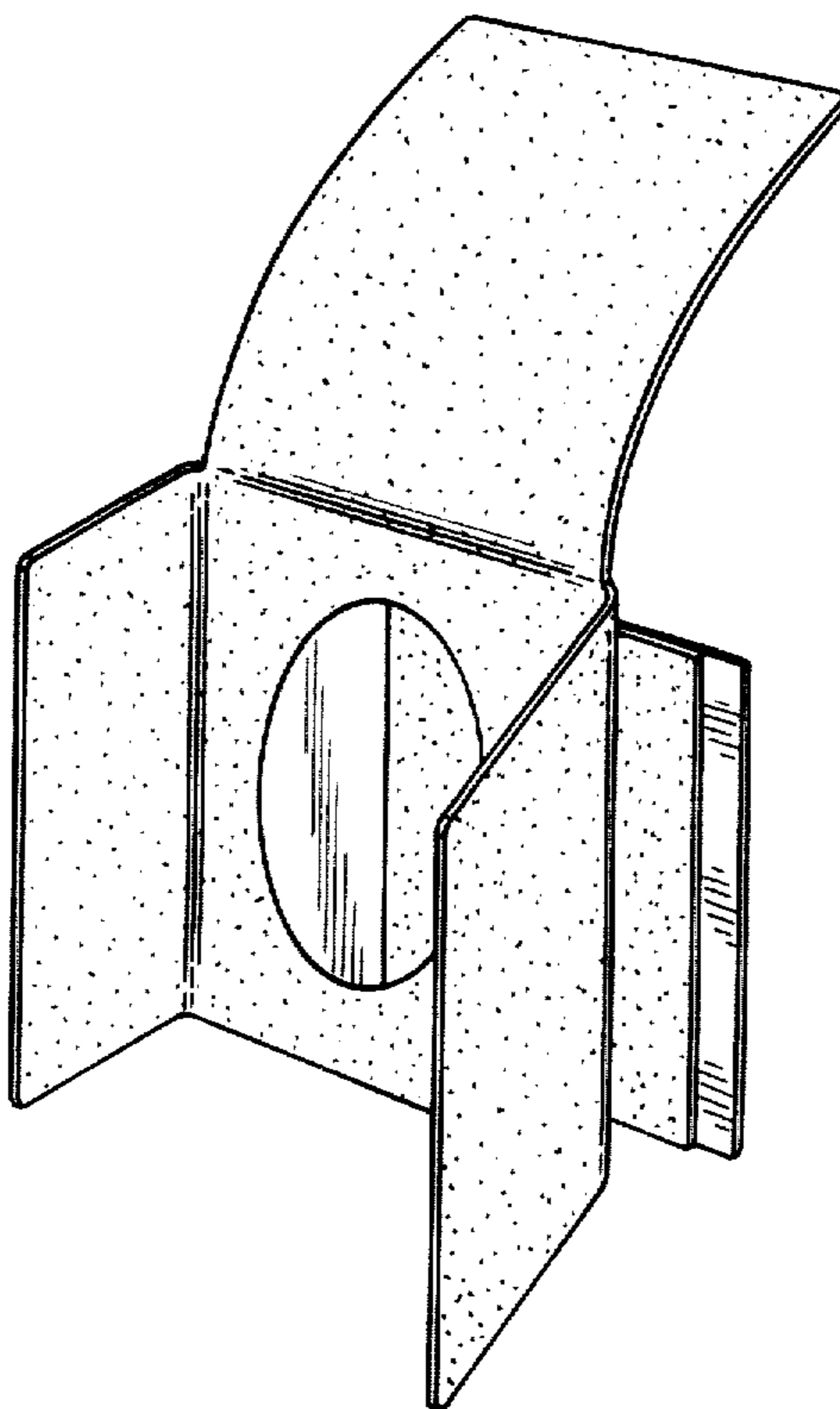
FIG. 6 is a rear elevational view thereof;

FIG. 7 is a front elevational view showing the packet in an unfolded condition;

FIG. 8 is a rear elevational view showing the packet in an unfolded condition;

FIG. 9 is a front perspective view showing the packet in an unfolded condition and showing a display card partially removed from the packet; and

FIG. 10 is a front perspective view showing the packet in an unfolded condition, showing the display card fully inserted within the packet.



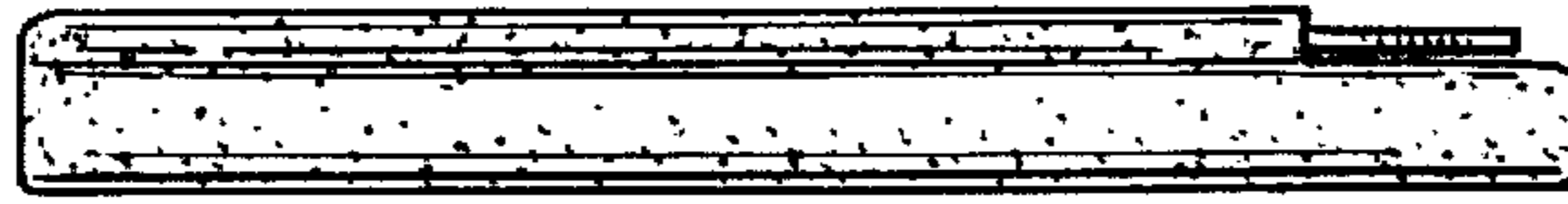


FIG. 4



FIG. 3

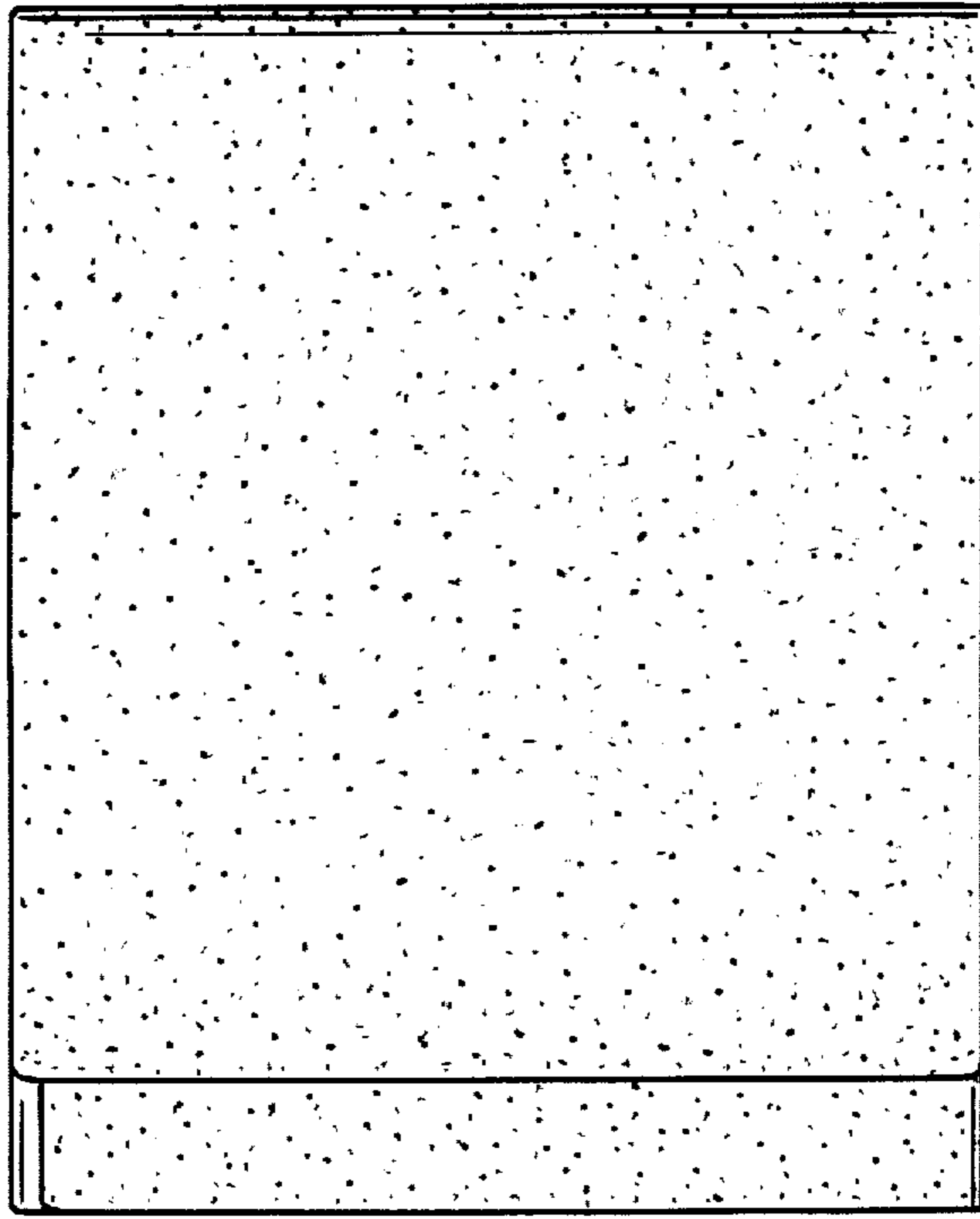


FIG. 1



FIG. 2

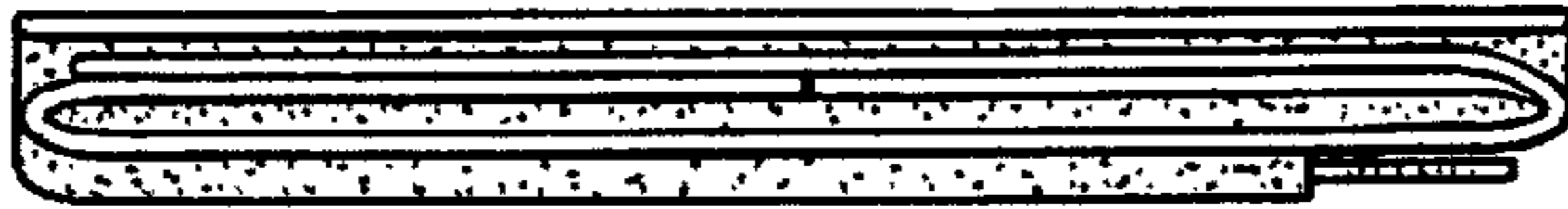


FIG. 5

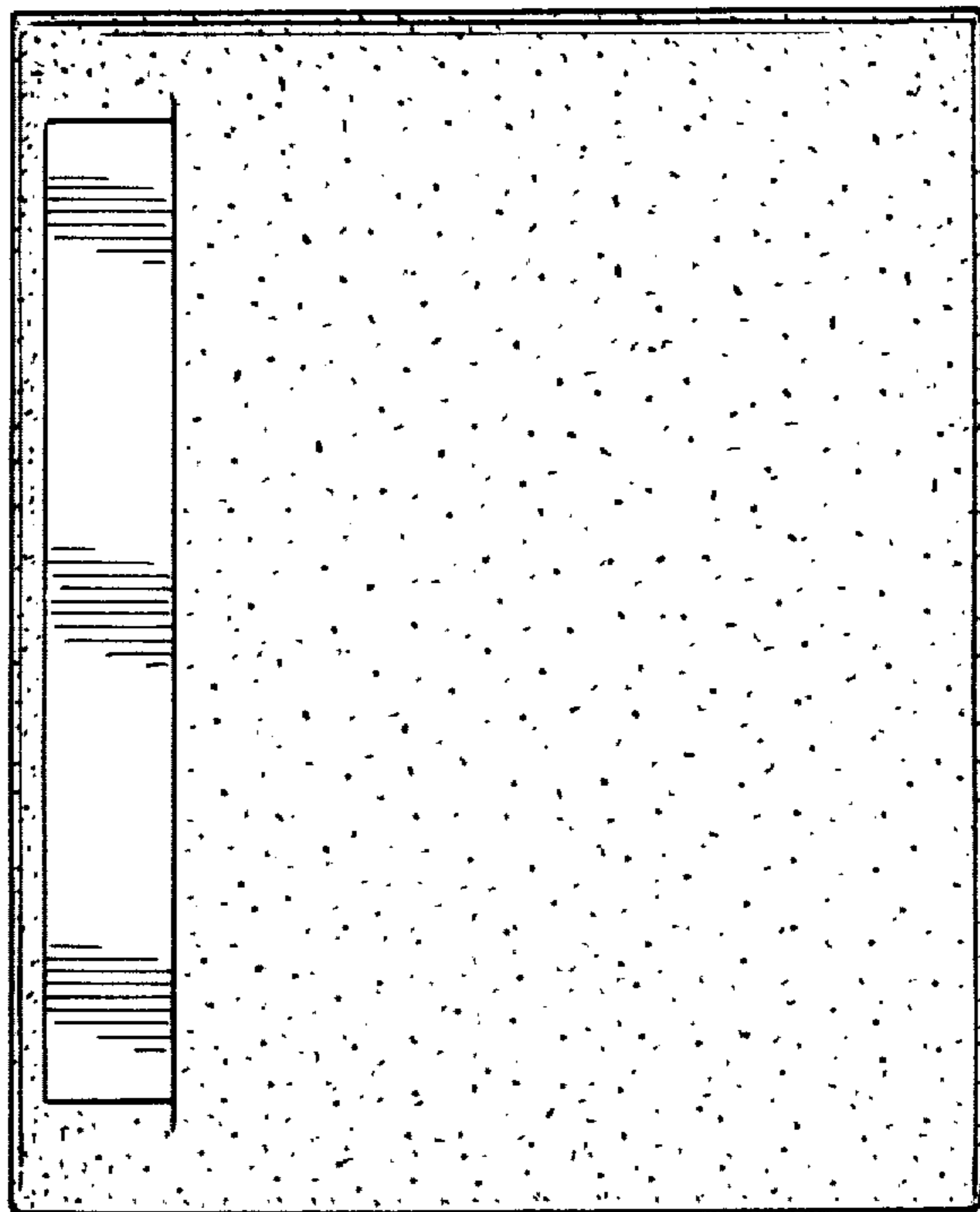


FIG. 6

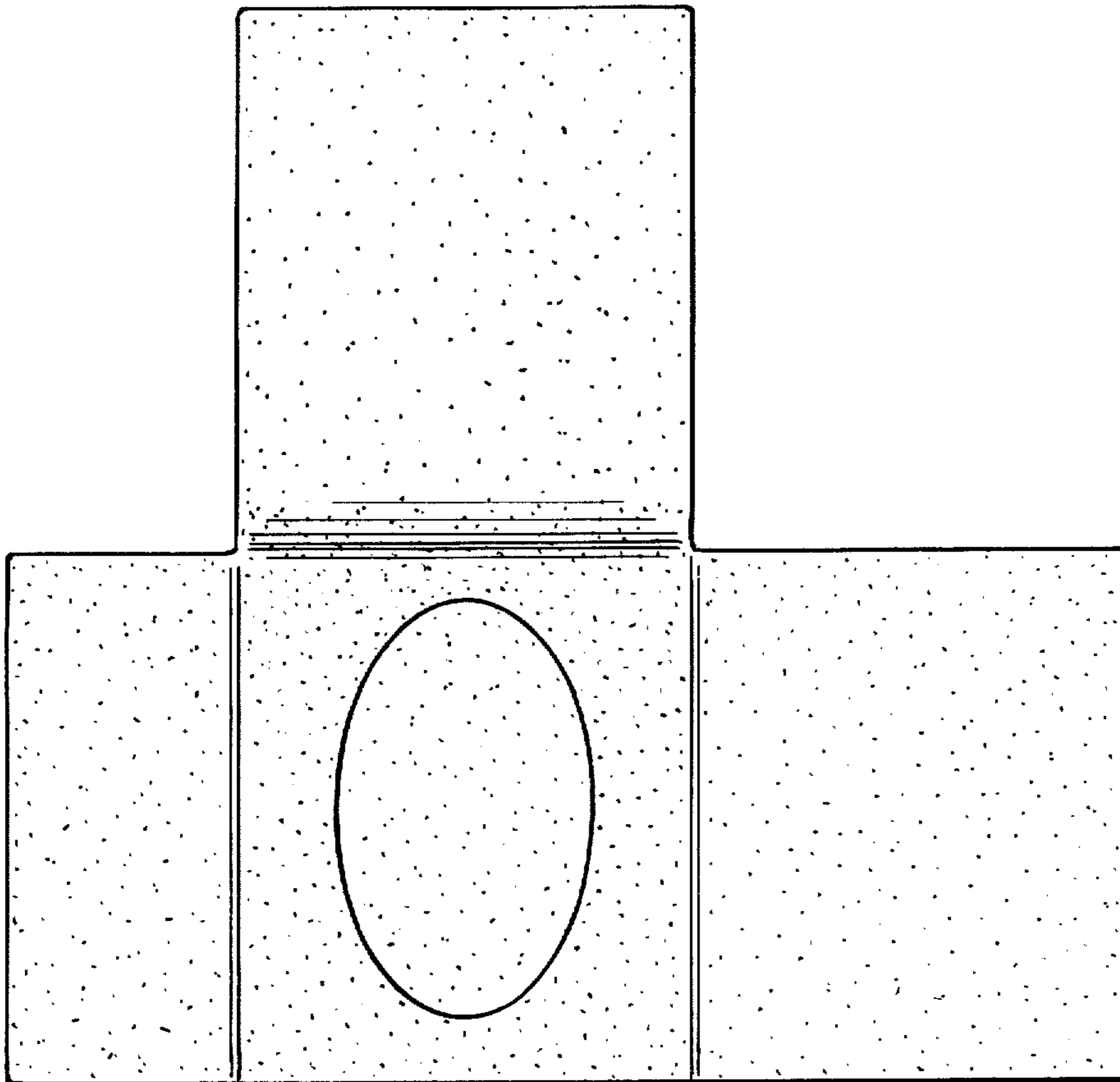
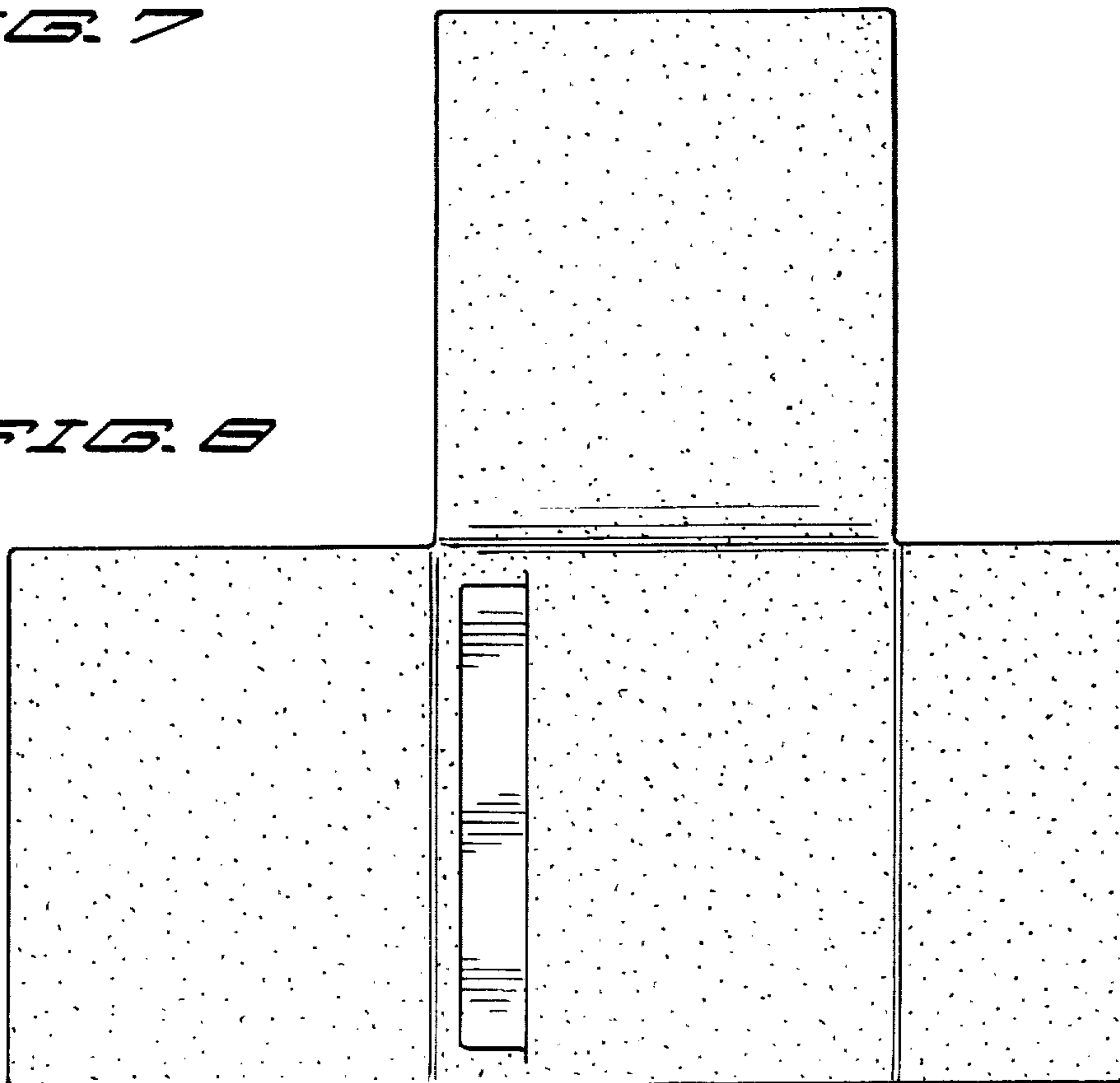


FIG. 7

FIG. 8



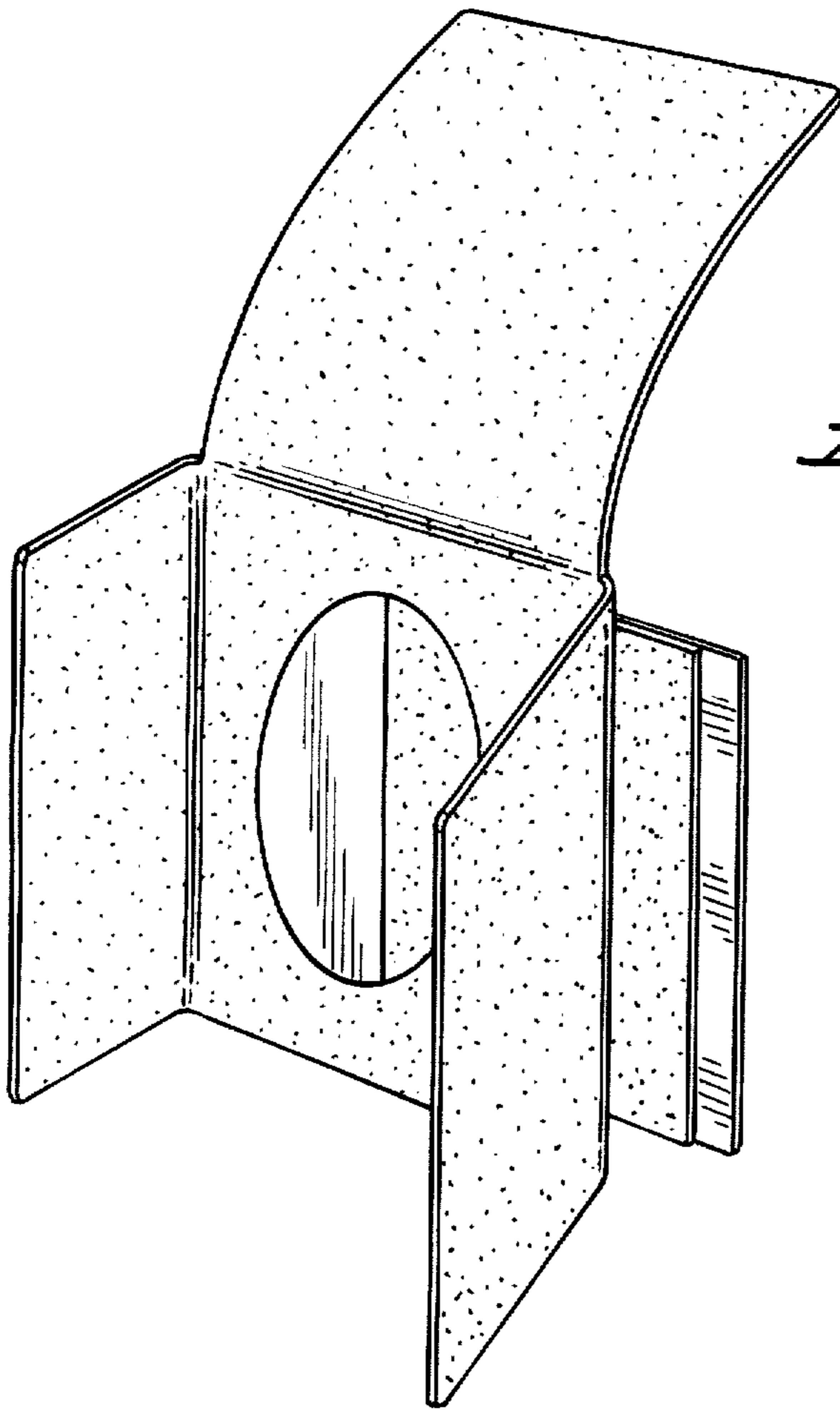


FIG. 9

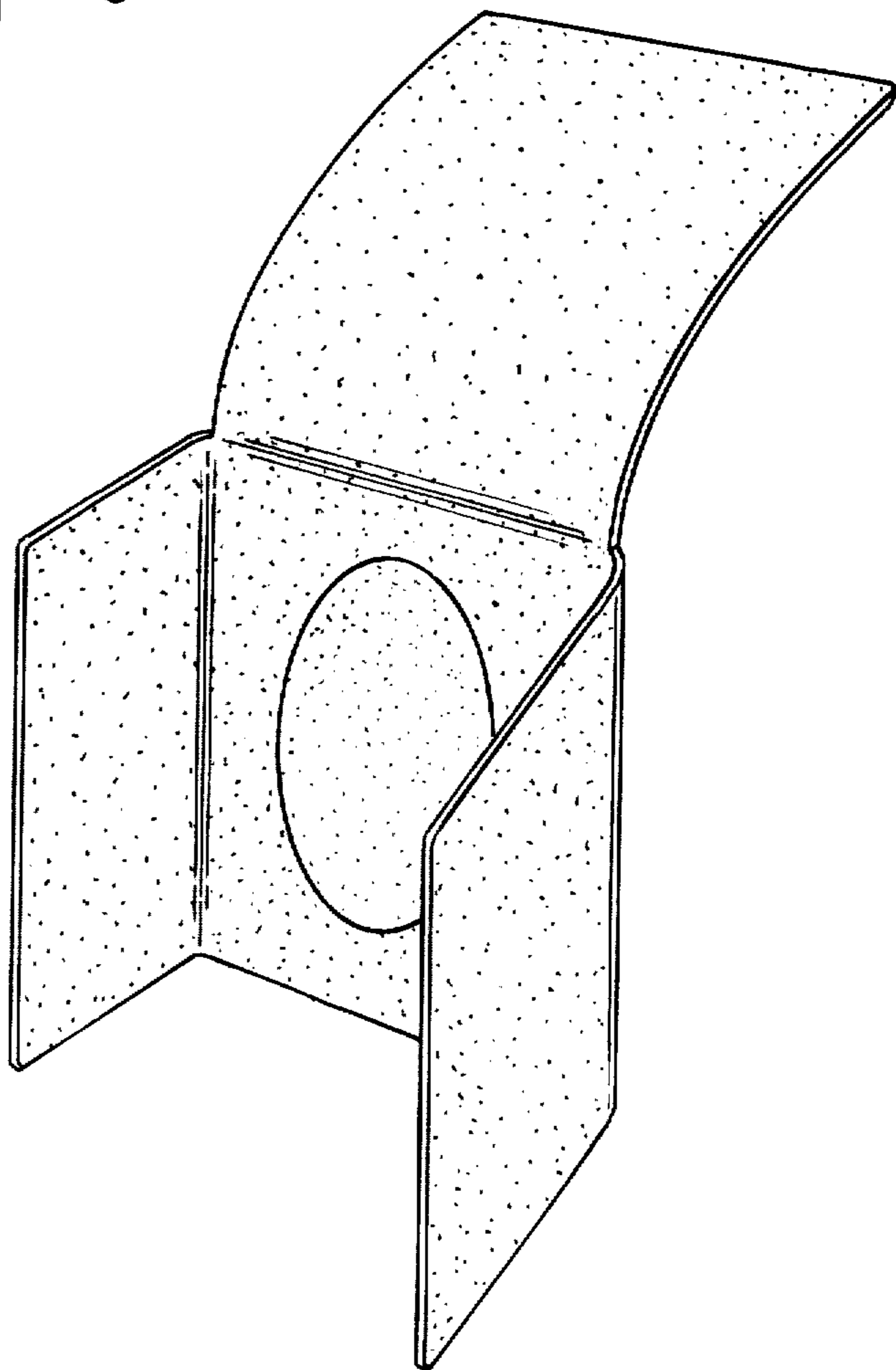


FIG. 10