

[54] **SEWING THREAD ORGANIZER**
 [75] Inventor: **Ellen D. McCarn**, Birmingham, Ala.
 [73] Assignee: **McCarn Enterprises, Inc.**,
 Birmingham, Ala.
 [**] Term: **14 Years**
 [21] Appl. No.: **168,706**
 [22] Filed: **Jul. 14, 1980**

[51] Int. Cl. **D3-99**
 [52] U.S. Cl. **D3/23**
 [58] Field of Search **223/106-109;**
206/388, 63.3; D3/23, 18

[56] **References Cited**
U.S. PATENT DOCUMENTS

D. 251,059	2/1979	Montell	D3/18
D. 255,289	6/1980	Eubanks et al.	D3/23
D. 255,506	6/1980	Eubanks et al.	D3/23
1,388,561	8/1921	Grote	206/388

3,133,636	5/1964	Wiley	206/388
4,063,638	12/1977	Marwood	206/63.3
4,161,075	7/1979	Eubanks et al.	223/106 X
4,258,843	3/1981	Wymer	206/63.3

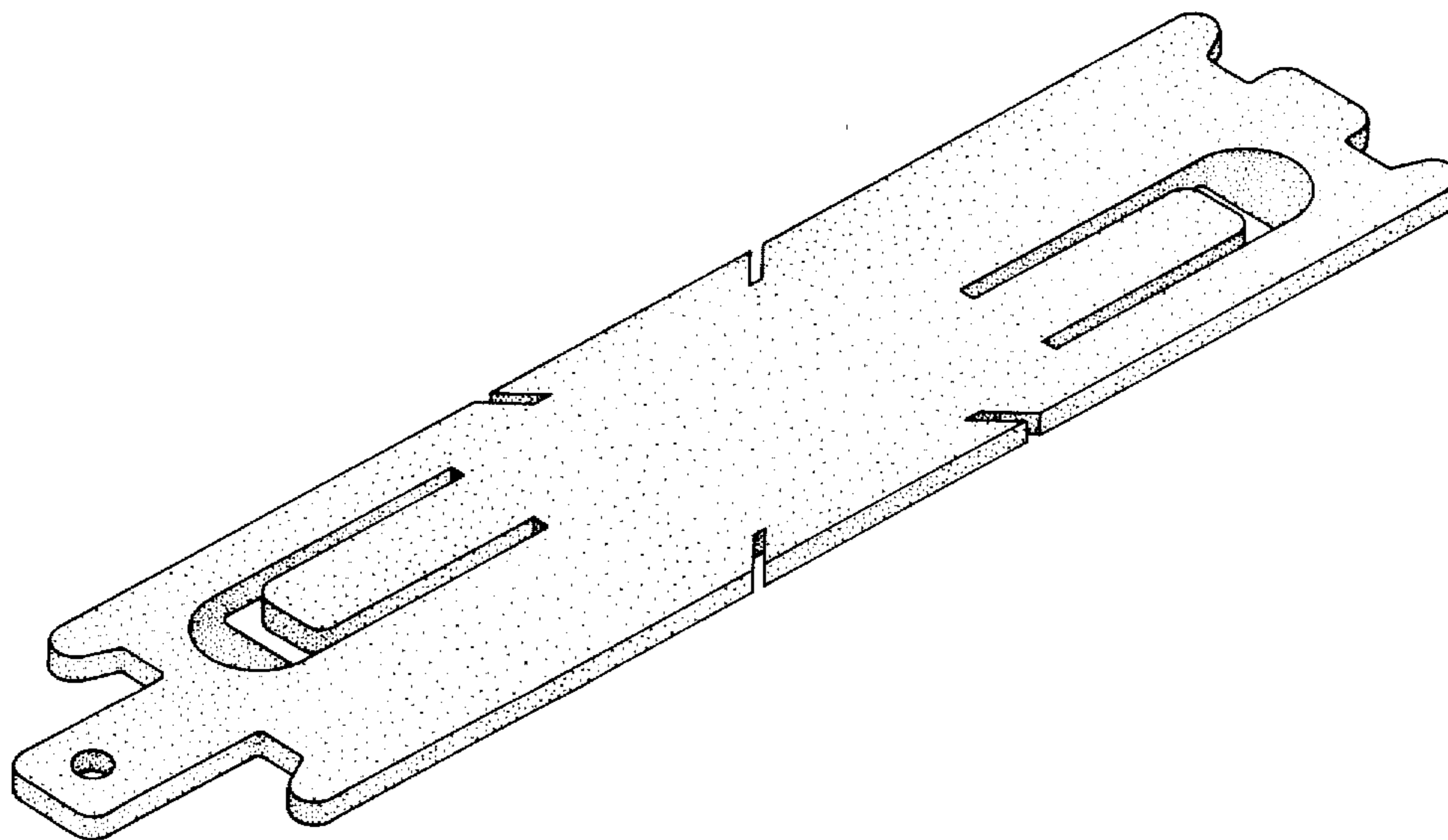
Primary Examiner—Robert C. Spangler
Attorney, Agent, or Firm—Woodford R. Thompson, Jr.

[57] **CLAIM**

The ornamental design for a sewing thread organizer, as shown and described.

DESCRIPTION

FIG. 1 is a perspective view of a sewing thread organizer showing my new design;
 FIG. 2 is a top plan view;
 FIG. 3 is a bottom view thereof;
 FIG. 4 is a side elevational view thereof, the side not shown being a mirror image of the side shown;
 FIG. 5 is a sectional view taken along the line 5—5 of FIG. 2; and,
 FIG. 6 is an end view thereof, the end not shown being identical to the end shown.



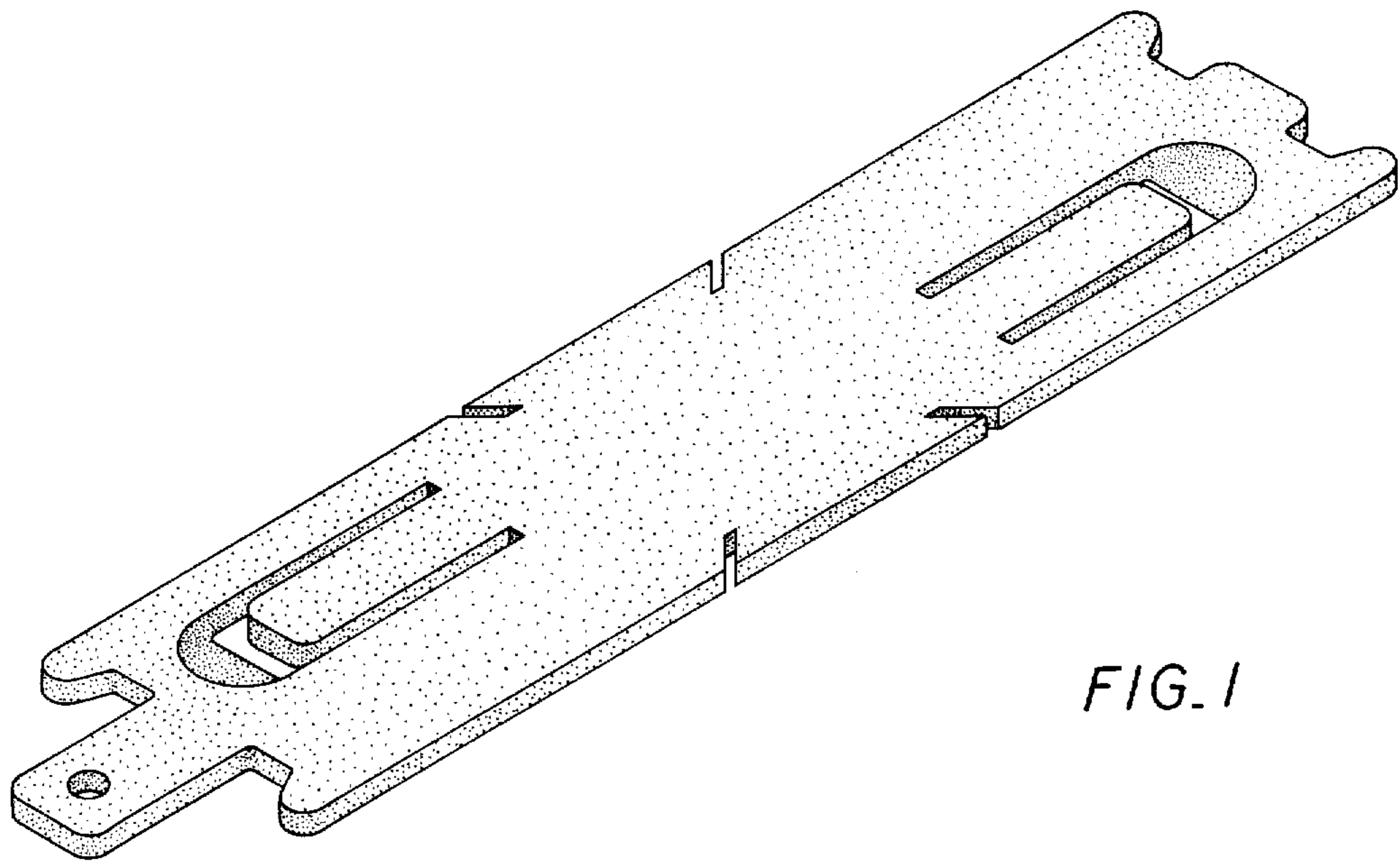


FIG. 1

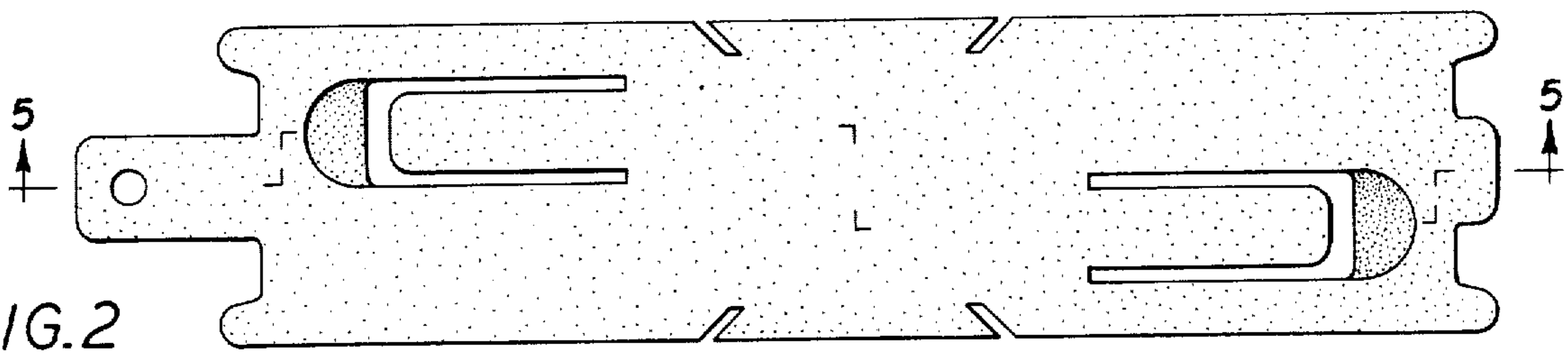


FIG. 2

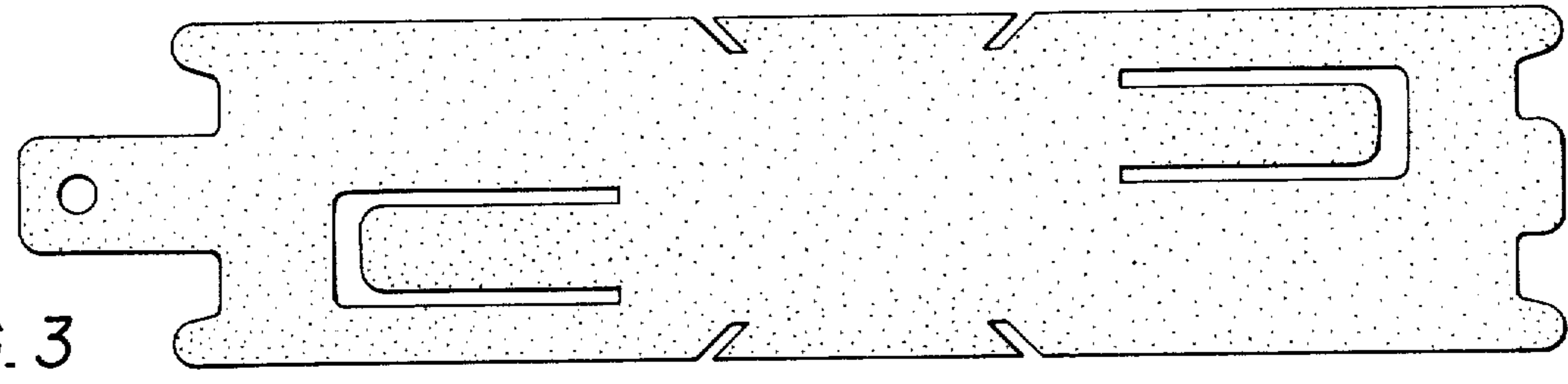


FIG. 3



FIG. 4

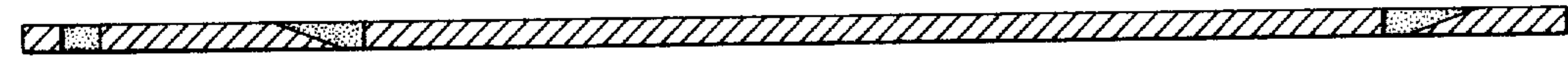


FIG. 5



FIG. 6