

[54] ARMBAND IDENTIFICATION
PASSHOLDER WITH A TRANSPARENT
FRONT FACE

[76] Inventor: Stanley Walasek, 1116 Colonial Way,
Bridgewater, N.J. 08807

[**] Term: 14 Years

[21] Appl. No.: 135,630

[22] Filed: Mar. 31, 1980

[51] Int. Cl. D2-99

[52] U.S. Cl. D2/402; D3/56

[58] Field of Search D3/56-60;
D2/400, 402; 40/21 C; 224/219; 150/34, 39;
D20/22, 27, 78

[56] References Cited

U.S. PATENT DOCUMENTS

1,151,940	8/1915	Gauvreau	224/219
1,325,607	12/1919	Barber	224/219
2,599,311	6/1952	Anderson	224/219

3,586,220 6/1971 Reinberg 40/21 C

FOREIGN PATENT DOCUMENTS

1515632 1/1968 France 40/21 C
70777 2/1916 Switzerland 224/219

Primary Examiner—George P. Word
Attorney, Agent, or Firm—Gloria K. Koenig

[57] CLAIM

The ornamental design for an armband identification passholder with a transparent front face, as shown and described.

DESCRIPTION

FIG. 1 is a front elevational view of an armband identification passholder with a transparent front face showing my new design.

FIG. 2 is a rear elevational view thereof.

FIG. 3 is a bottom plan view.

FIG. 4 is a top plan view.

FIG. 5 is a left side elevational view thereof.

FIG. 6 is an enlarged scale cross-sectional view taken along line 6-6 of FIG. 1.

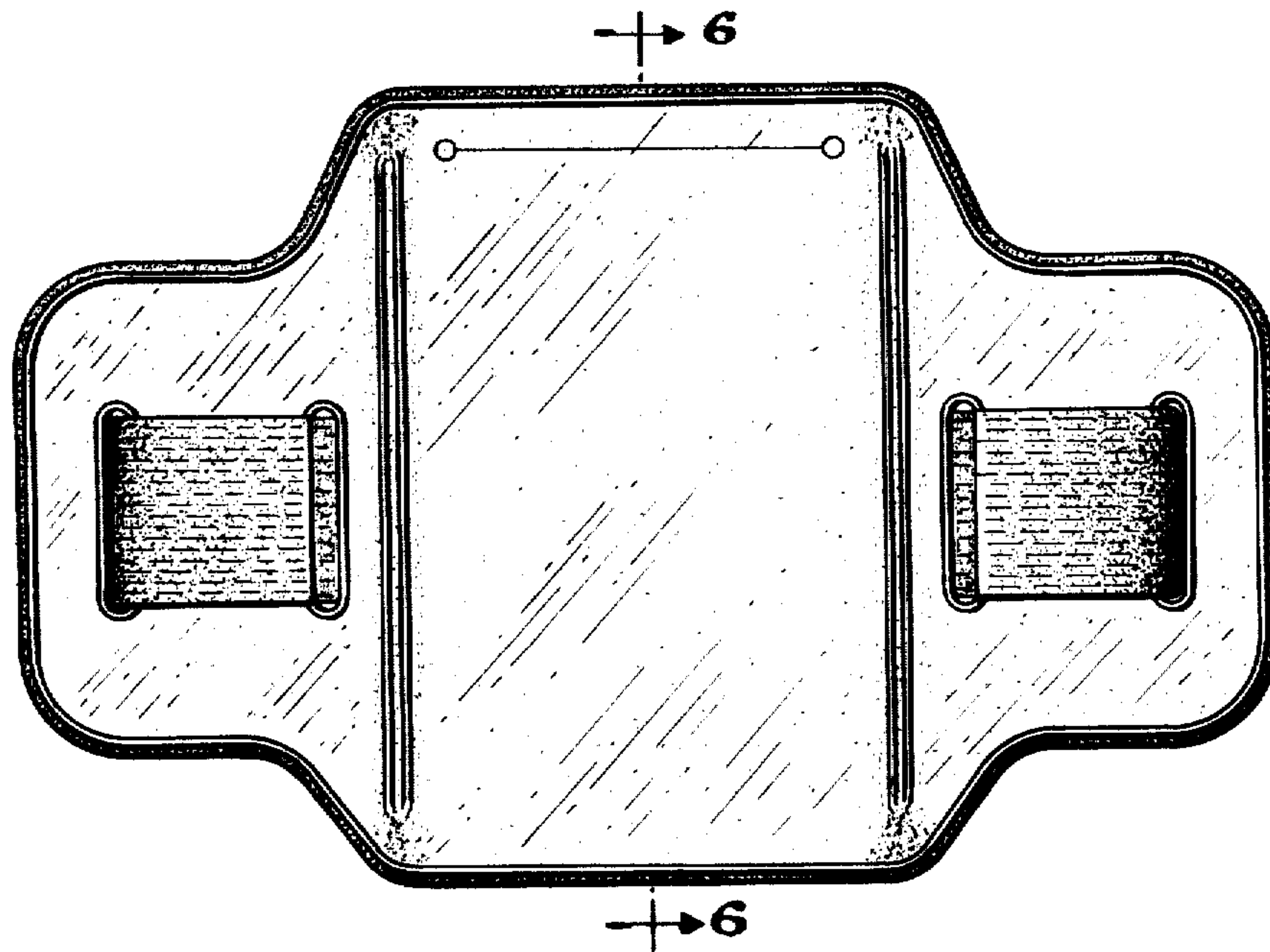


Fig. 1 + 6

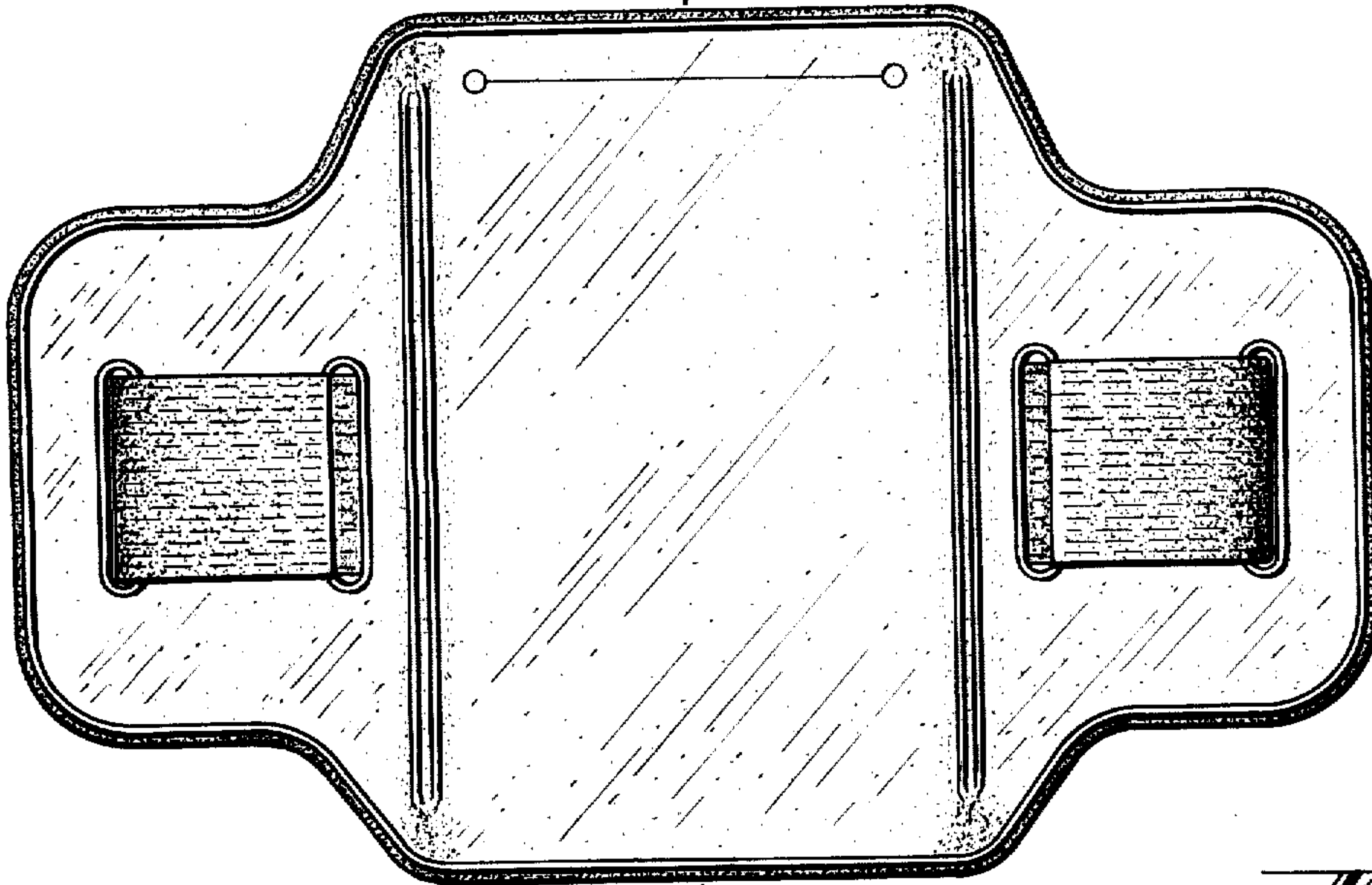


Fig. 6

Fig. 2 + 6

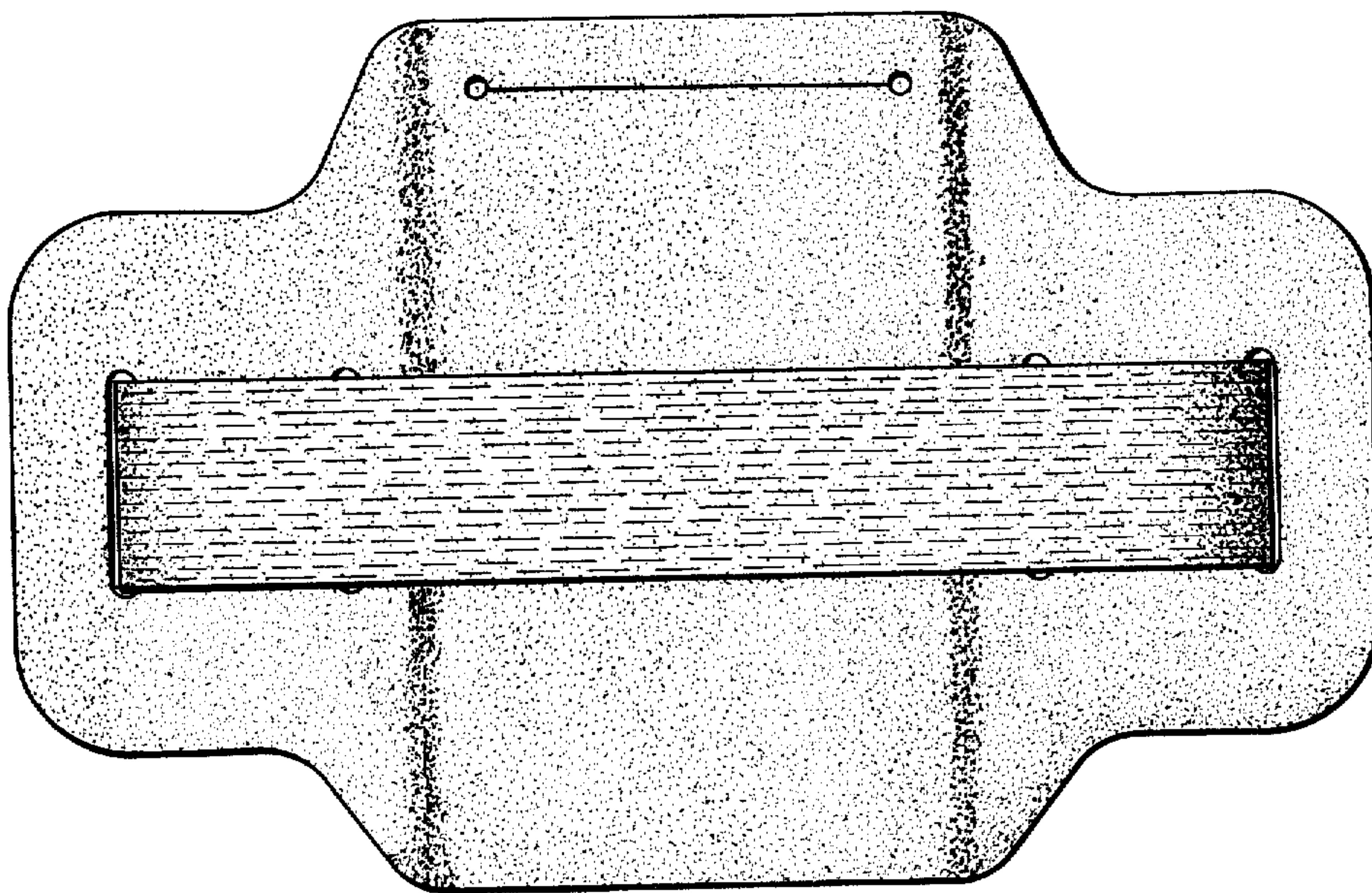


Fig. 5

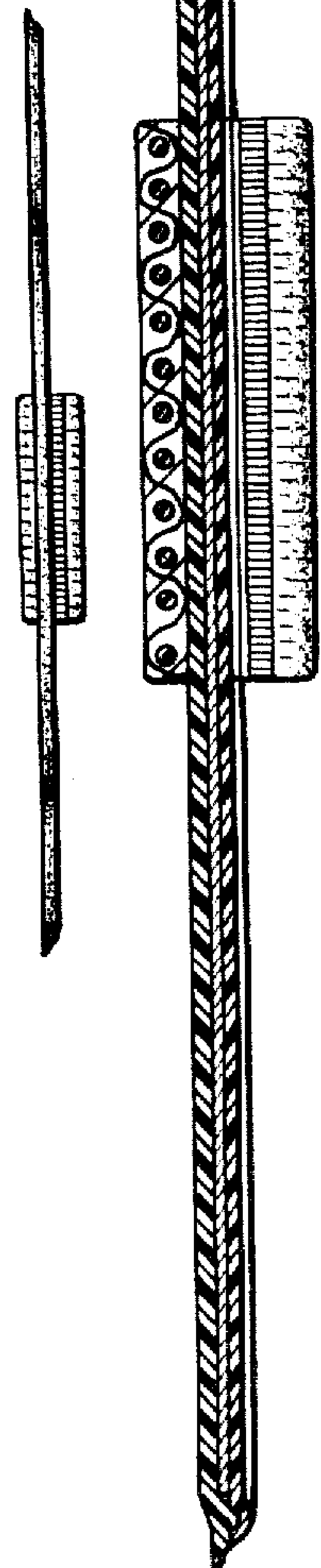


Fig. 3

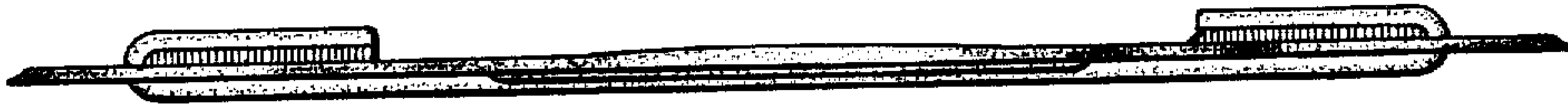


Fig. 4

