

[54] LIQUID DISPENSER HANDLE FOR HOUSEHOLD SCRUBBING PAD

[75] Inventor: John W. Spirk, Jr., Cleveland Heights, Ohio

[73] Assignee: Transco Plastics Corporation, Bedford Heights, Ohio

[**] Term: 14 Years

[21] Appl. No.: 163,802

[22] Filed: Jun. 27, 1980

[51] Int. Cl. D7-05

[52] U.S. Cl. D32/35; D32/51; D32/52

[58] Field of Search D4/1-38; D32/35, 40, 45, 51, 52; 401/137-139, 140, 196, 261, 268, 201-207; 15/244 R, 208, 209 R, 210 R

[56] References Cited U.S. PATENT DOCUMENTS

D. 202,026	8/1965	Gaudino	D32/45
D. 252,250	7/1979	Hobbs	D32/45
2,162,310	6/1939	Korsen	401/139
2,551,776	5/1951	Waltz	401/139

Primary Examiner—Catherine E. Kemper
Attorney, Agent, or Firm—Isler & Ornstein

[57] CLAIM

The ornamental design for a liquid dispenser handle for household scrubbing pad, as shown and described.

DESCRIPTION

FIG. 1 is a front elevational view of a liquid dispenser handle for household scrubbing pad, showing my new design;

FIG. 2 is a right side elevational view, the left side being a mirror image thereof;

FIG. 3 is a top plan view thereof;

FIG. 4 is a bottom plan view thereof;

FIG. 5 is a rear elevation thereof.

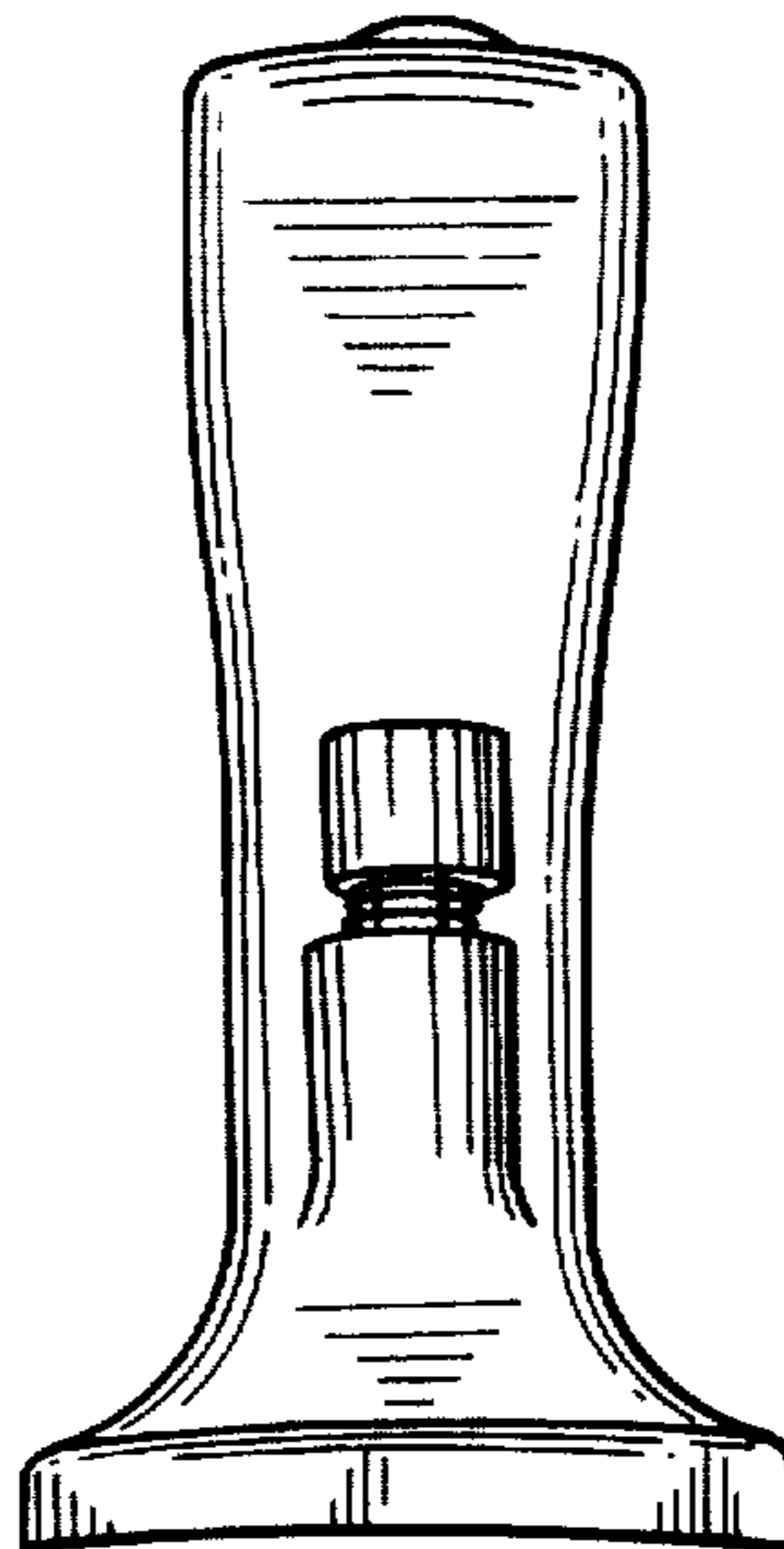


FIG. 1

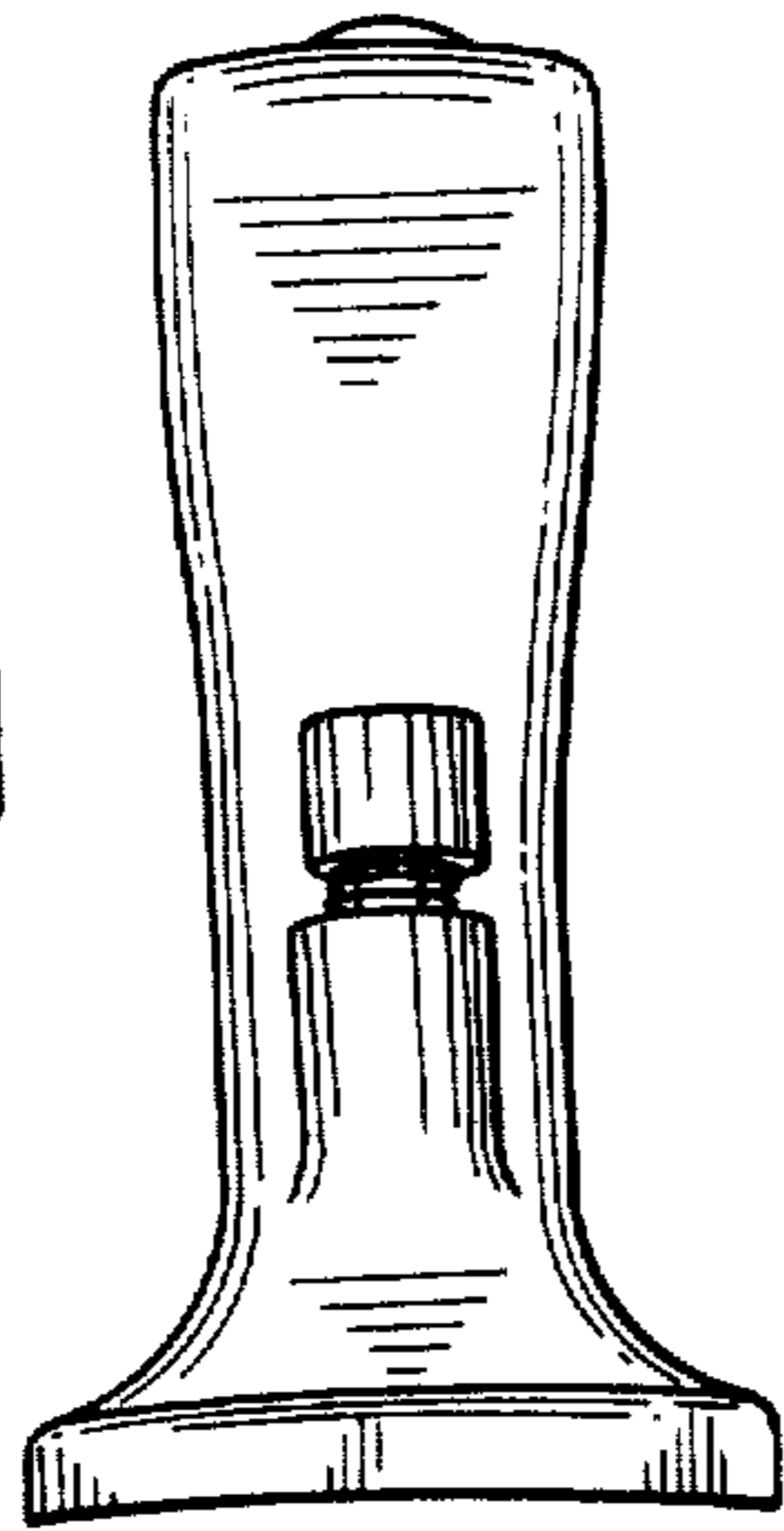


FIG. 5

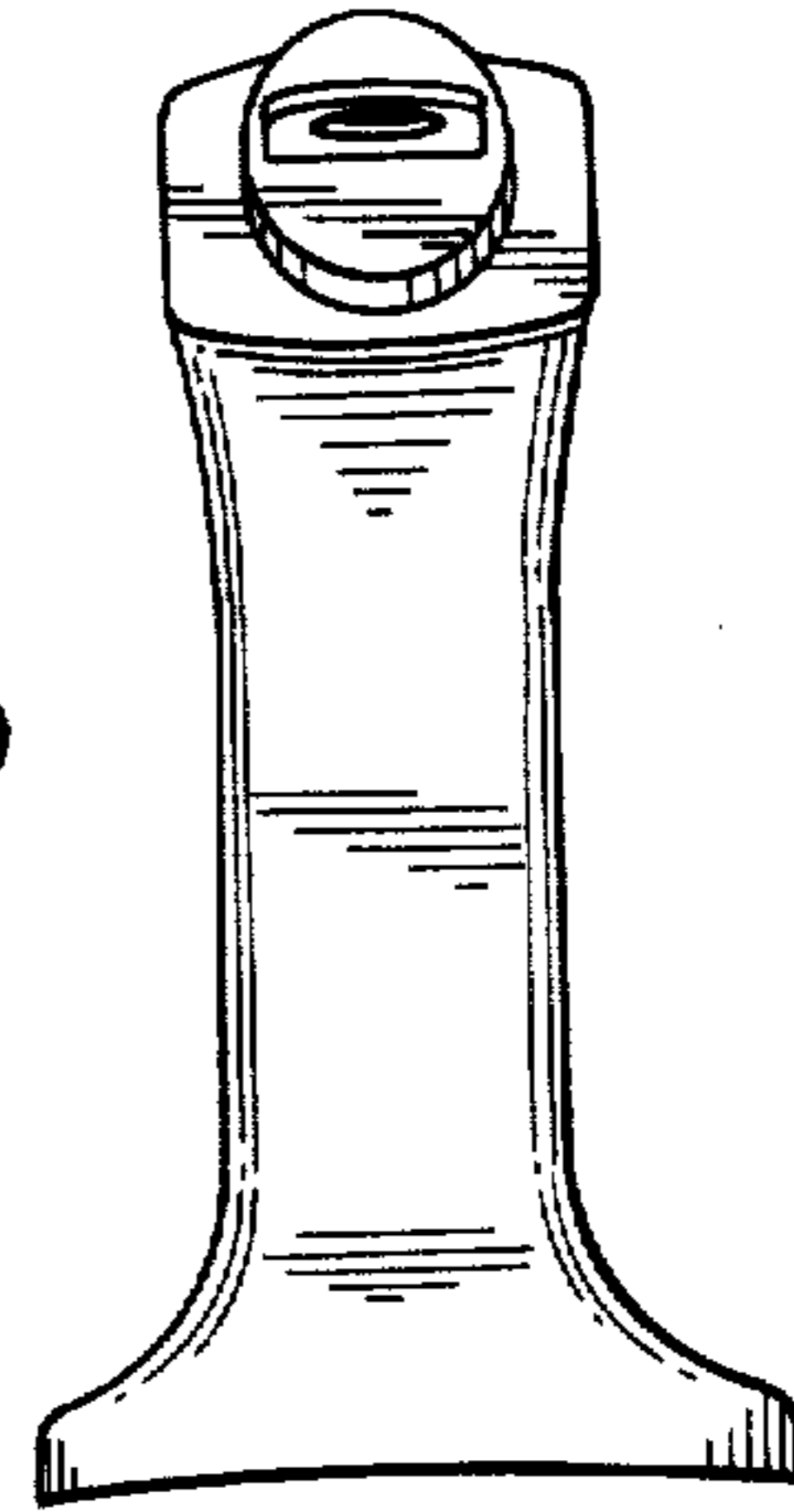


FIG. 2

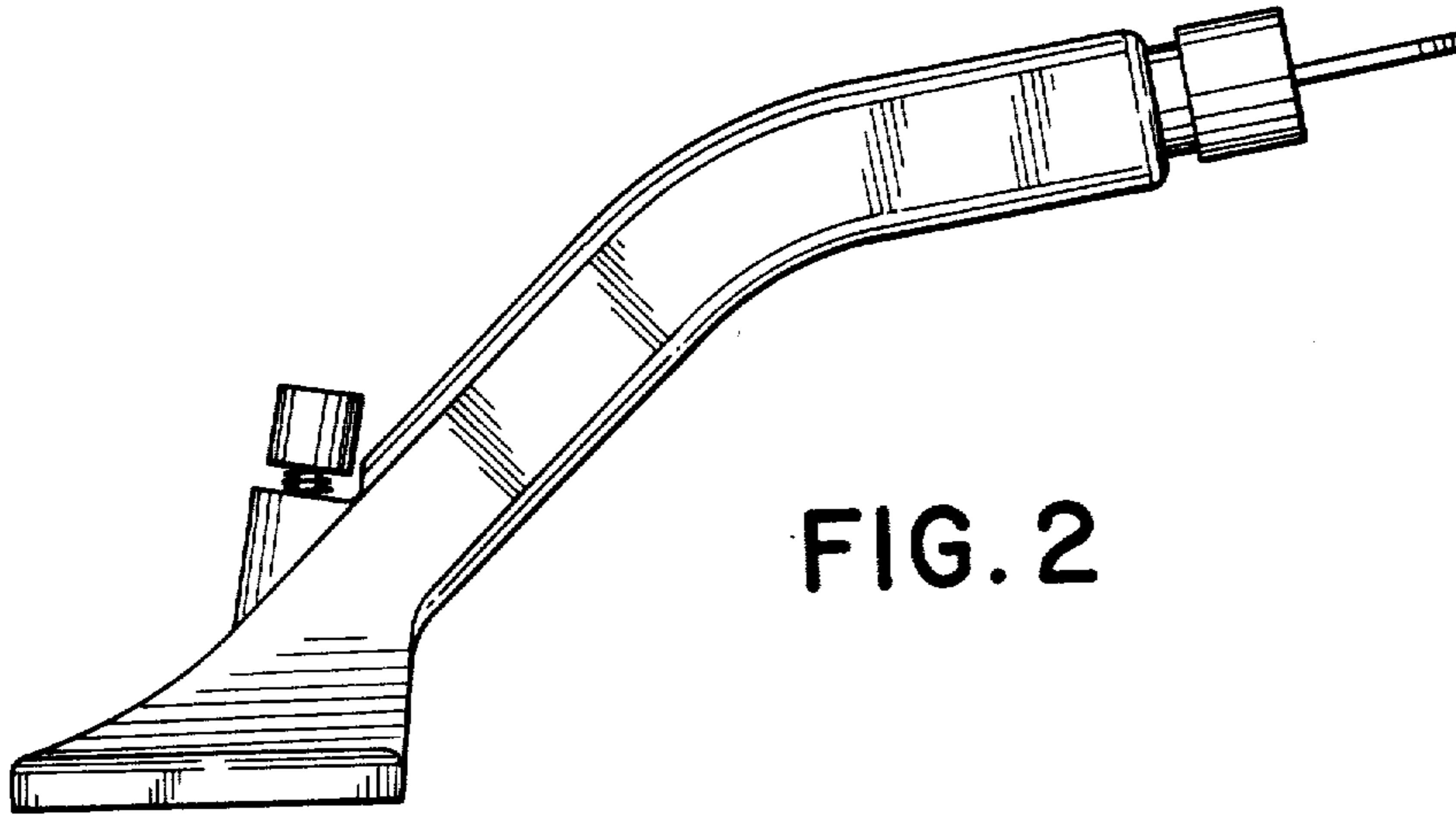


FIG. 3

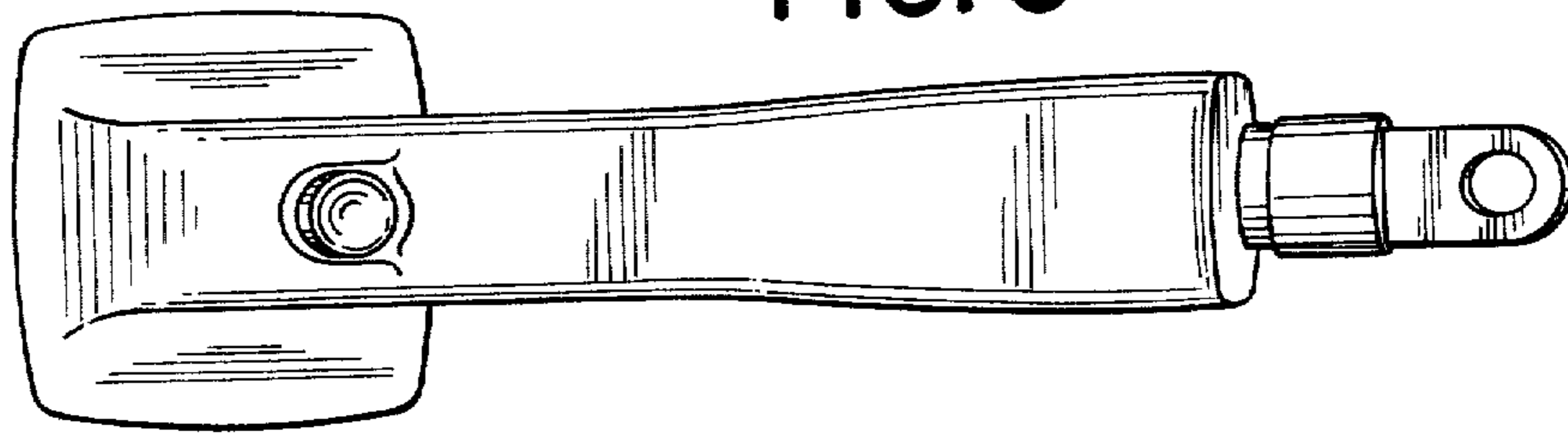


FIG. 4

