

[54] LIGHTING FIXTURE FOR PARTITION WALLS

4,054,793 10/1977 Shemitz 362/224 X
4,097,918 6/1978 Anderson et al. 362/220 X

[76] Inventor: Paul R. Maguire, 4284 Sea View La., Los Angeles, Calif. 90065

Primary Examiner—Susan J. Lucas

[**] Term: 14 Years

[57] CLAIM

[21] Appl. No.: 99,660

The ornamental design for a lighting fixture for partition walls, substantially as shown and described.

[22] Filed: Dec. 3, 1979

DESCRIPTION

[51] Int. Cl. D26--05

[52] U.S. Cl. D26/78

[58] Field of Search D26/24, 75, 76, 77, D26/78; 362/217, 218, 220, 223, 224, 227, 235, 362, 363, 145, 147

FIG. 1 is a perspective view of a lighting fixture for partition walls showing my new design; FIG. 2 is an end view thereof on an enlarged scale, the opposite end being a mirror image; FIG. 3 is a top view thereof on an enlarged scale; FIG. 4 is a bottom view thereof on an enlarged scale; FIG. 5 is a side view thereof on an enlarged scale; and FIG. 6 is the opposite side view thereof on an enlarged scale. The fixture is broken away in FIGS. 2 through 6 for convenience of illustration.

[56] References Cited

U.S. PATENT DOCUMENTS

- D. 139,663 12/1944 Greenwald D26/77
- D. 192,878 5/1962 Müller D26/76

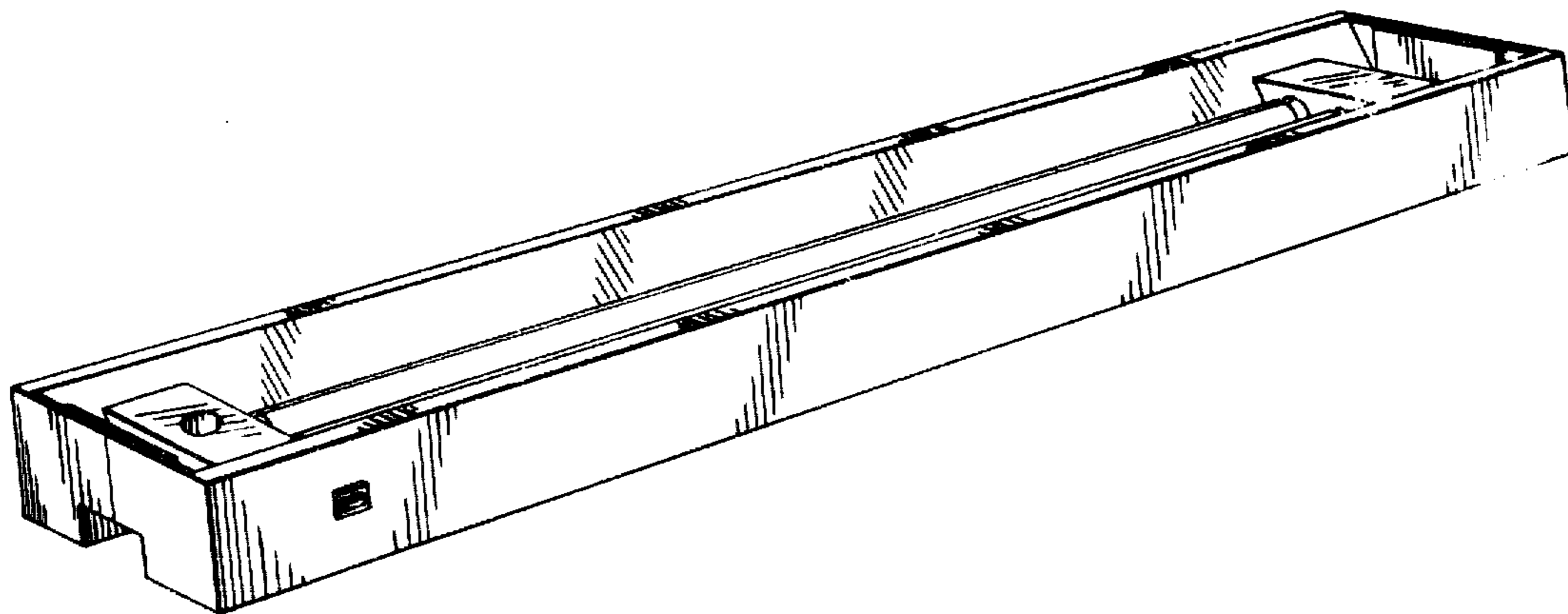


FIG. 1

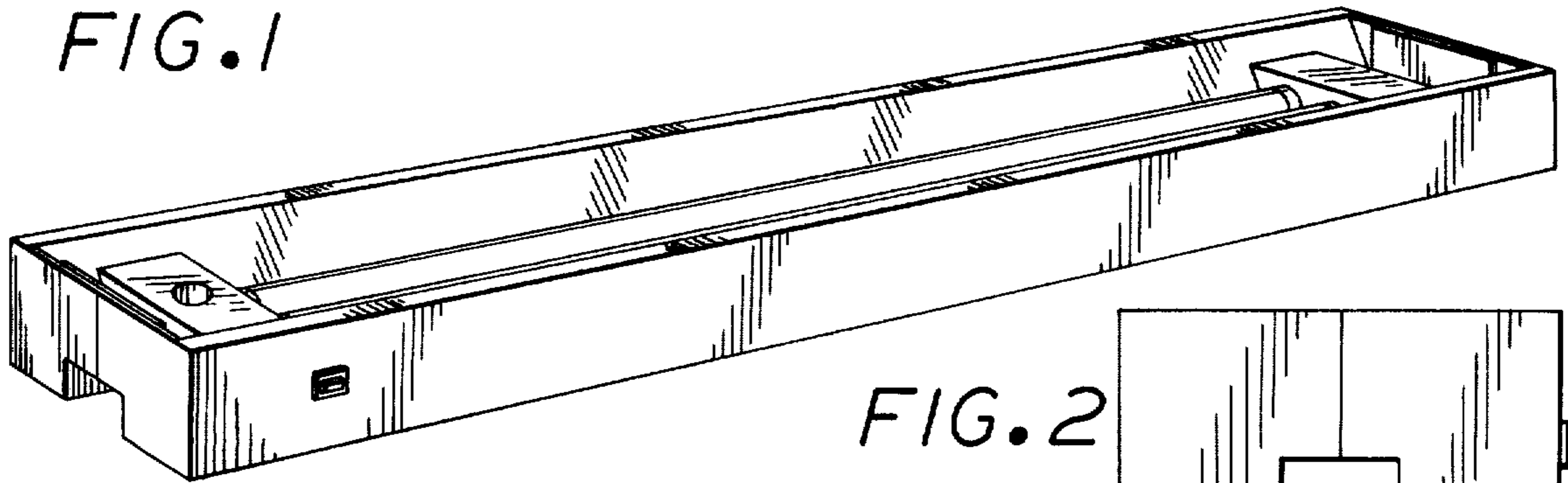


FIG. 2

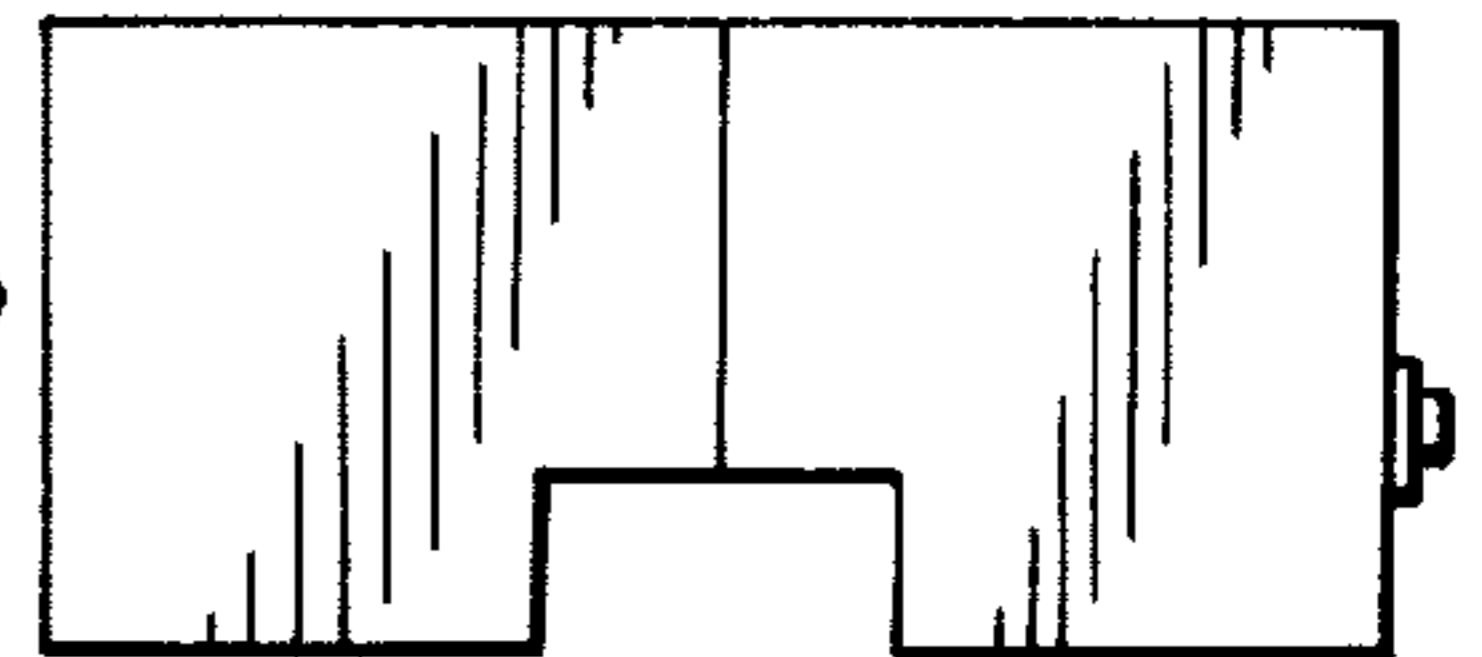


FIG. 3

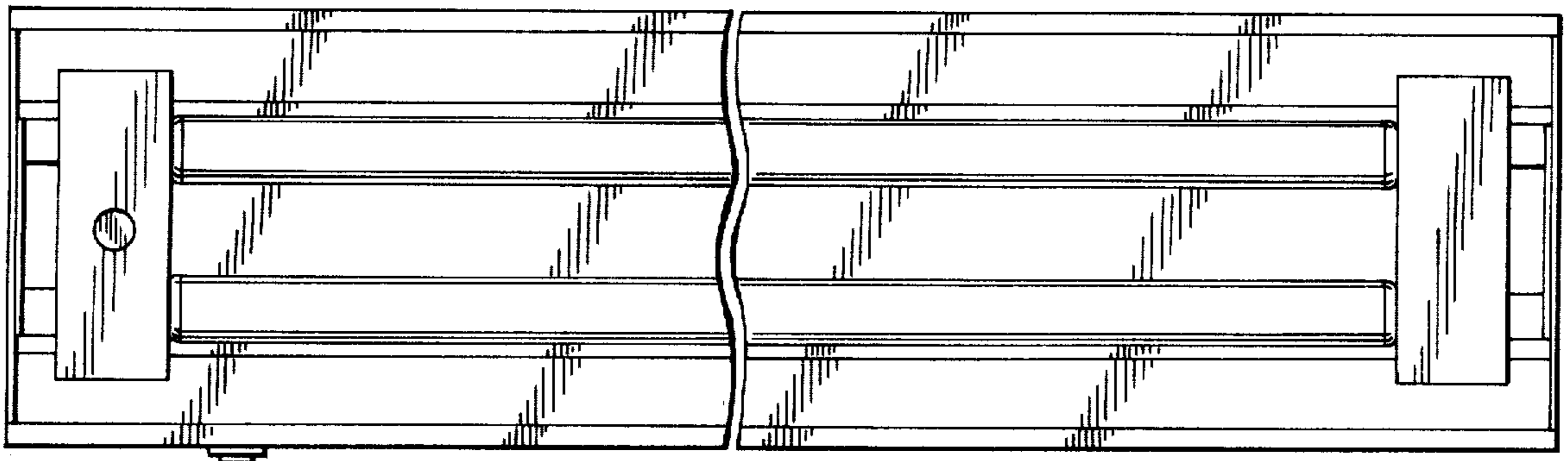


FIG. 4

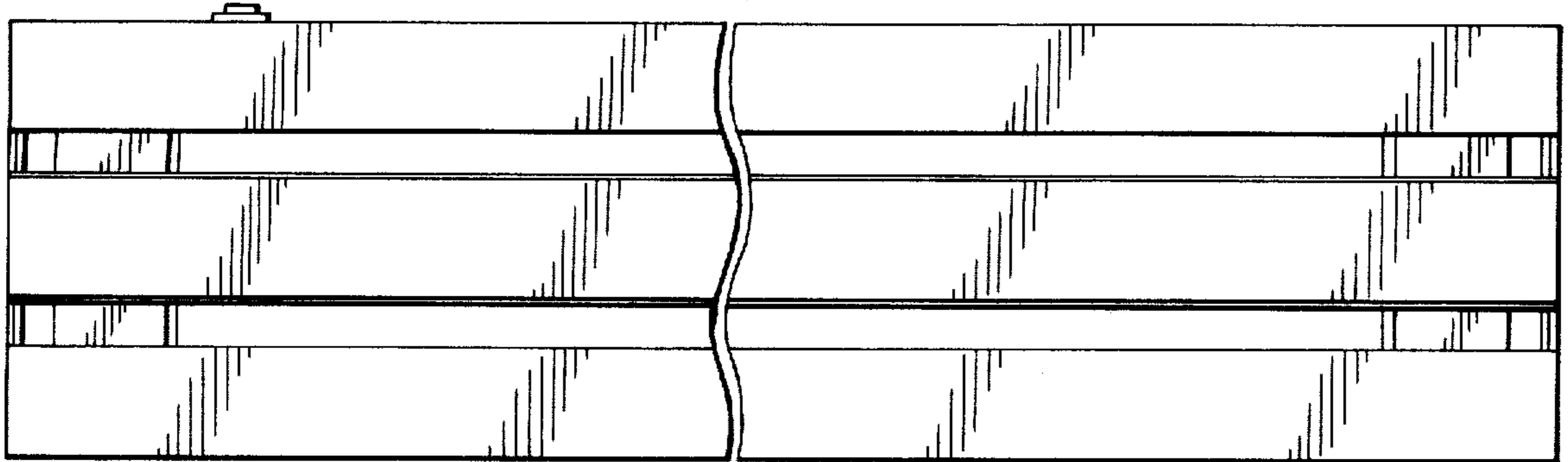


FIG. 5

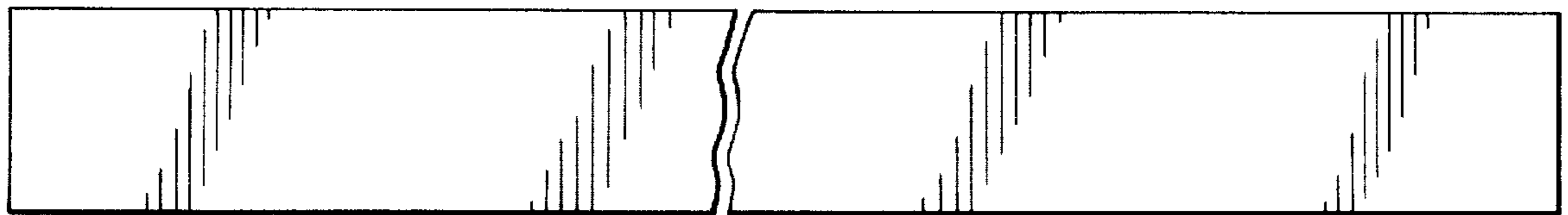


FIG. 6

