

[54] **AQUARIUM GANG VALVE**

[75] Inventor: **Ying-Young Ng, Chai Wan, Hong Kong**

[73] Assignee: **Veny Plastic Co., Ltd., Hong Kong, Hong Kong**

[**] Term: **14 Years**

[21] Appl. No.: **155,067**

[22] Filed: **Jun. 2, 1980**

[30] **Foreign Application Priority Data**

Dec. 19, 1979 [GB] United Kingdom 79992924

[51] Int. Cl. **D23-01**

[52] U.S. Cl. **D23/19**

[58] Field of Search **D23/19-22; D30/12; 119/5; 137/883, 886, 887; D8/373**

[56] **References Cited**

U.S. PATENT DOCUMENTS

D. 227,858 7/1973 Goldman et al. D30/12

D. 235,508	6/1975	Yamasaki	D8/373
D. 236,950	9/1975	Goldman et al.	D8/373
D. 237,882	12/1975	Yamasaki	D23/19
3,019,815	2/1962	Lenardon et al.	137/883
3,092,141	6/1963	Stark	137/883
3,117,587	1/1964	Willinger	137/886 X
3,154,102	10/1964	Harris	137/883
3,459,221	8/1969	Axelrod	137/883
3,643,694	2/1972	Duke et al.	137/883

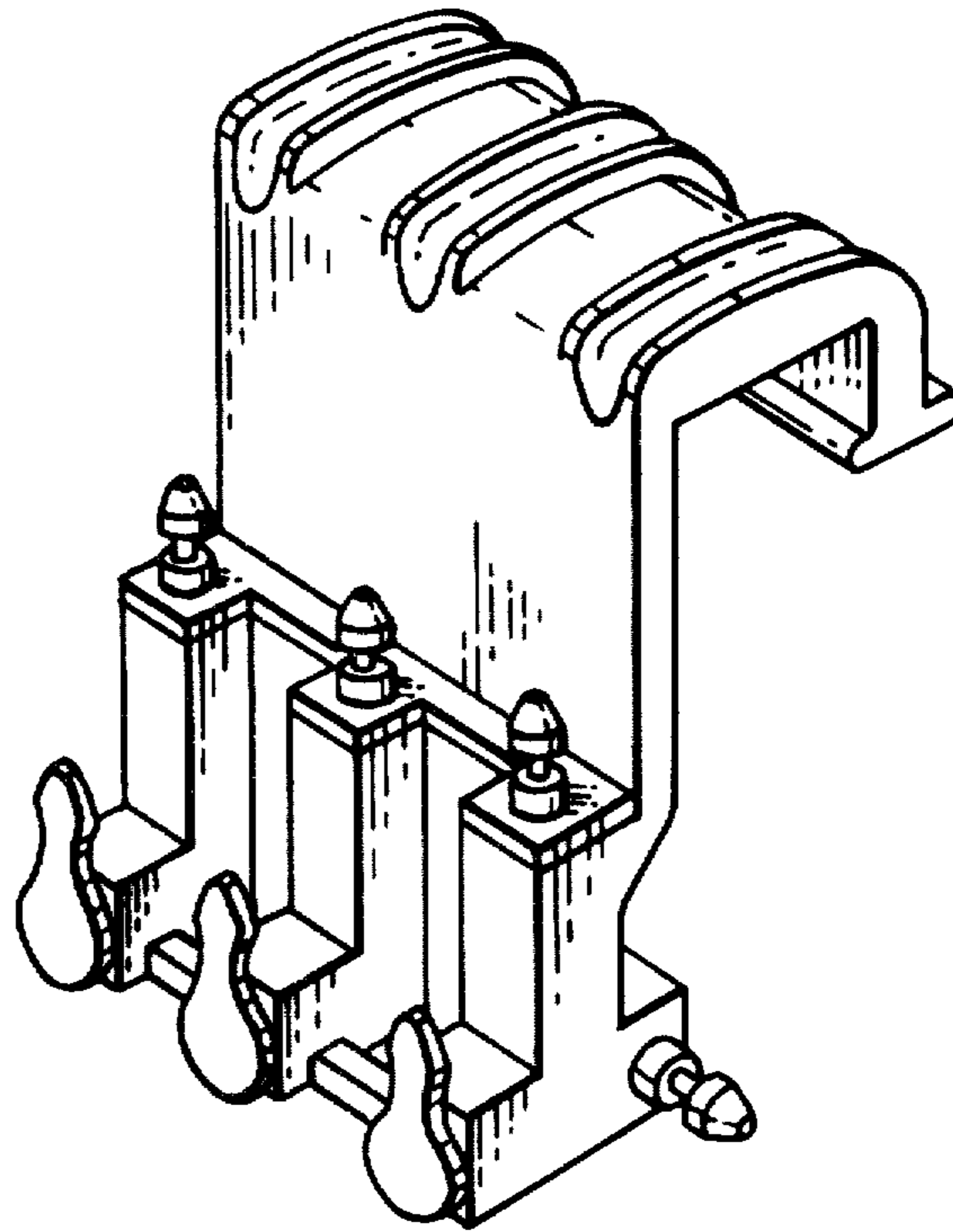
Primary Examiner—James R. Largen
Attorney, Agent, or Firm—Remy J. VanOphem

[57] **CLAIM**

The ornamental design for a aquarium gang valve, as shown and described.

DESCRIPTION

FIG. 1 is a perspective view taken from the top, front and right side of an aquarium gang valve showing my new design;
FIG. 2 is a left side elevational view thereof;
FIG. 3 is a rear elevational view thereof; and
FIG. 4 is a bottom plan view thereof.



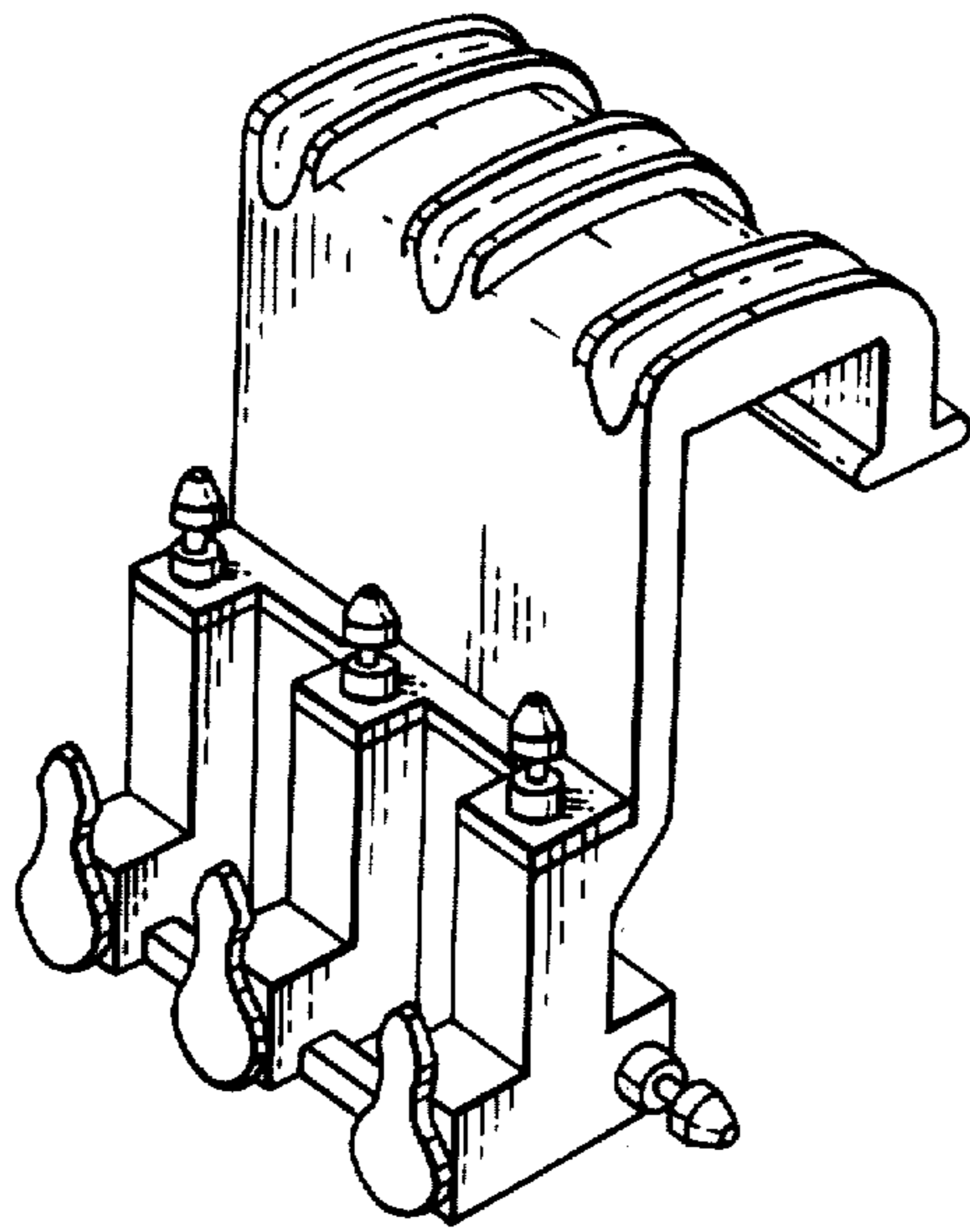


FIG. 1.

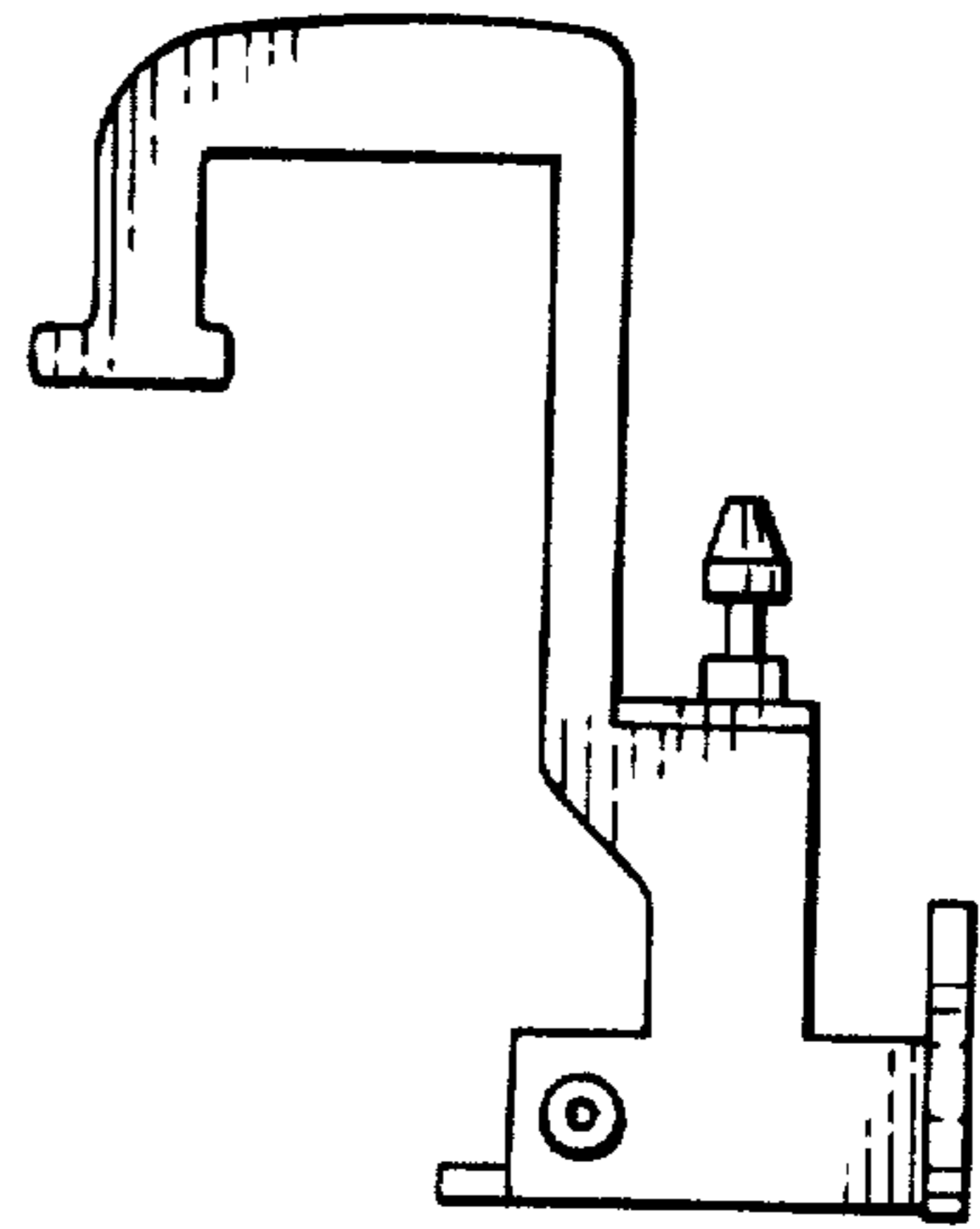


FIG. 2.

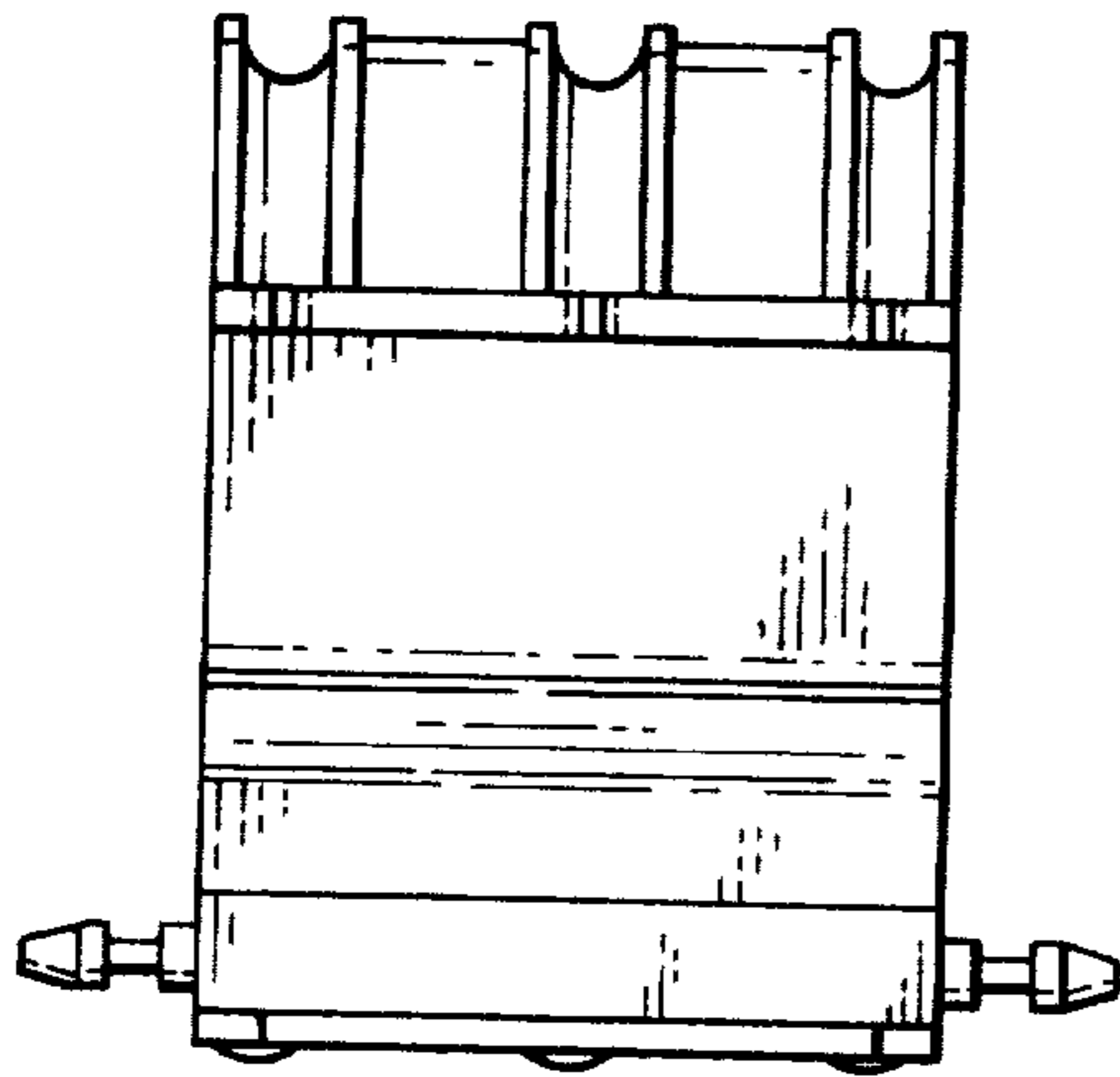


FIG. 3.

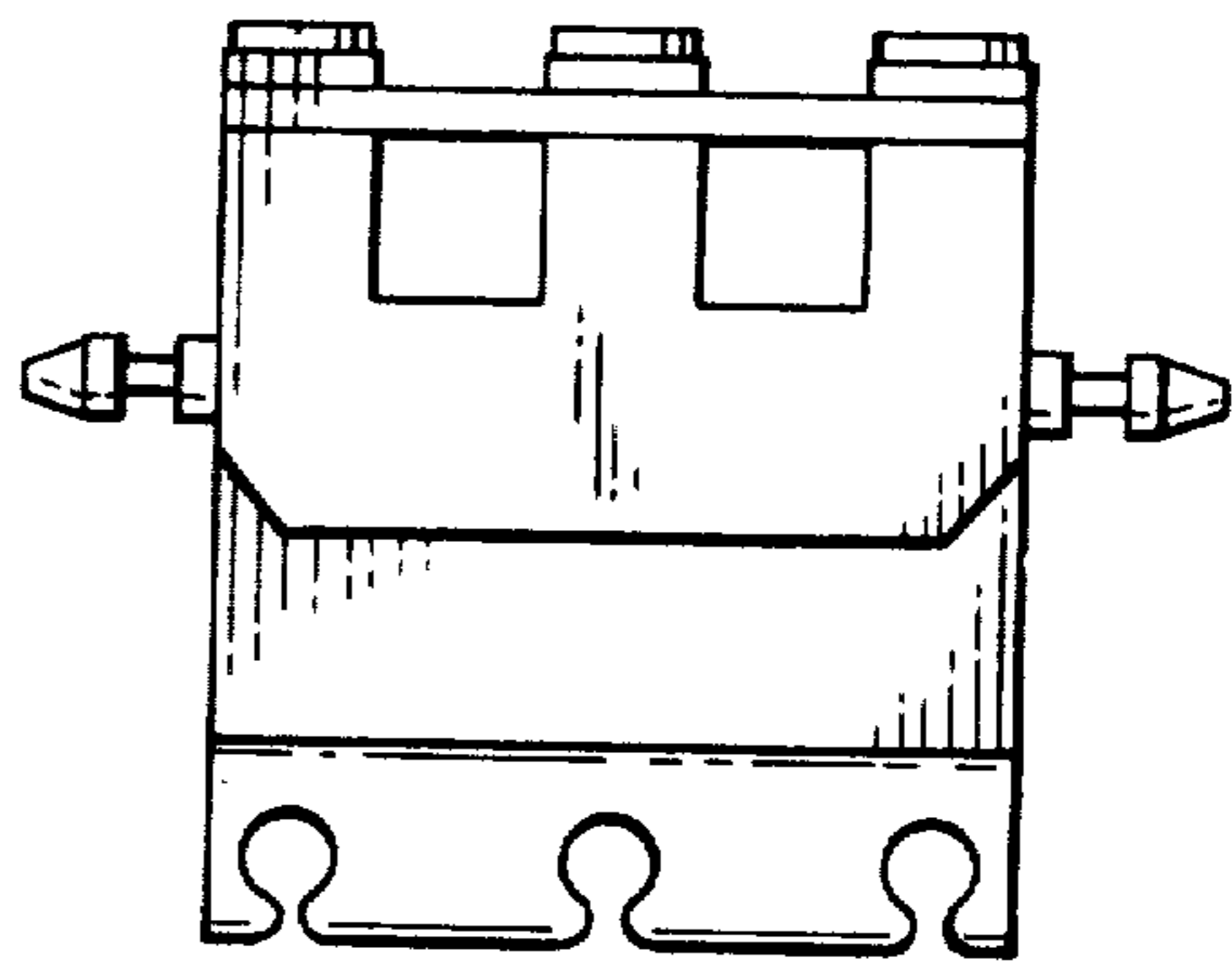


FIG. 4.