

[54] COMBINED BALL COLLECTION AND RECEPTACLE

[75] Inventors: Danny E. Simpson, Baltimore, Md.; David M. Williams, Montreal, Canada

[73] Assignee: Johnson & Johnson Baby Products Company, New Brunswick, N.J.

[**] Term: 14 Years

[21] Appl. No.: 95,828

[22] Filed: Nov. 19, 1979

[51] Int. Cl. D21-01

[52] U.S. Cl. D21/204; D11/131; D21/59

[58] Field of Search D7/23; D9/424; D11/131; D21/59, 104-107, 204; D99/44; 46/11; 273/58 F, 153, 156, 157 R, 159, 160; 428/11

[56] References Cited

U.S. PATENT DOCUMENTS

D. 234,708 4/1975 Rostock D21/104
D. 254,416 3/1980 Abbate D7/23
1,436,028 11/1922 Flemming D21/104

FOREIGN PATENT DOCUMENTS

240780 10/1964 Austria 206/45.34
2248675 5/1975 France 206/45.34

Primary Examiner—Leland A. Sebastian
Attorney, Agent, or Firm—Jason Lipow

[57] CLAIM

The ornamental design for a combined ball collection and receptacle, substantially as shown and described.

DESCRIPTION

FIG. 1 is a side elevational view of a combined ball collection and receptacle showing our new design; FIG. 2 is a top plan view thereof; and FIG. 3 is an exploded perspective view.

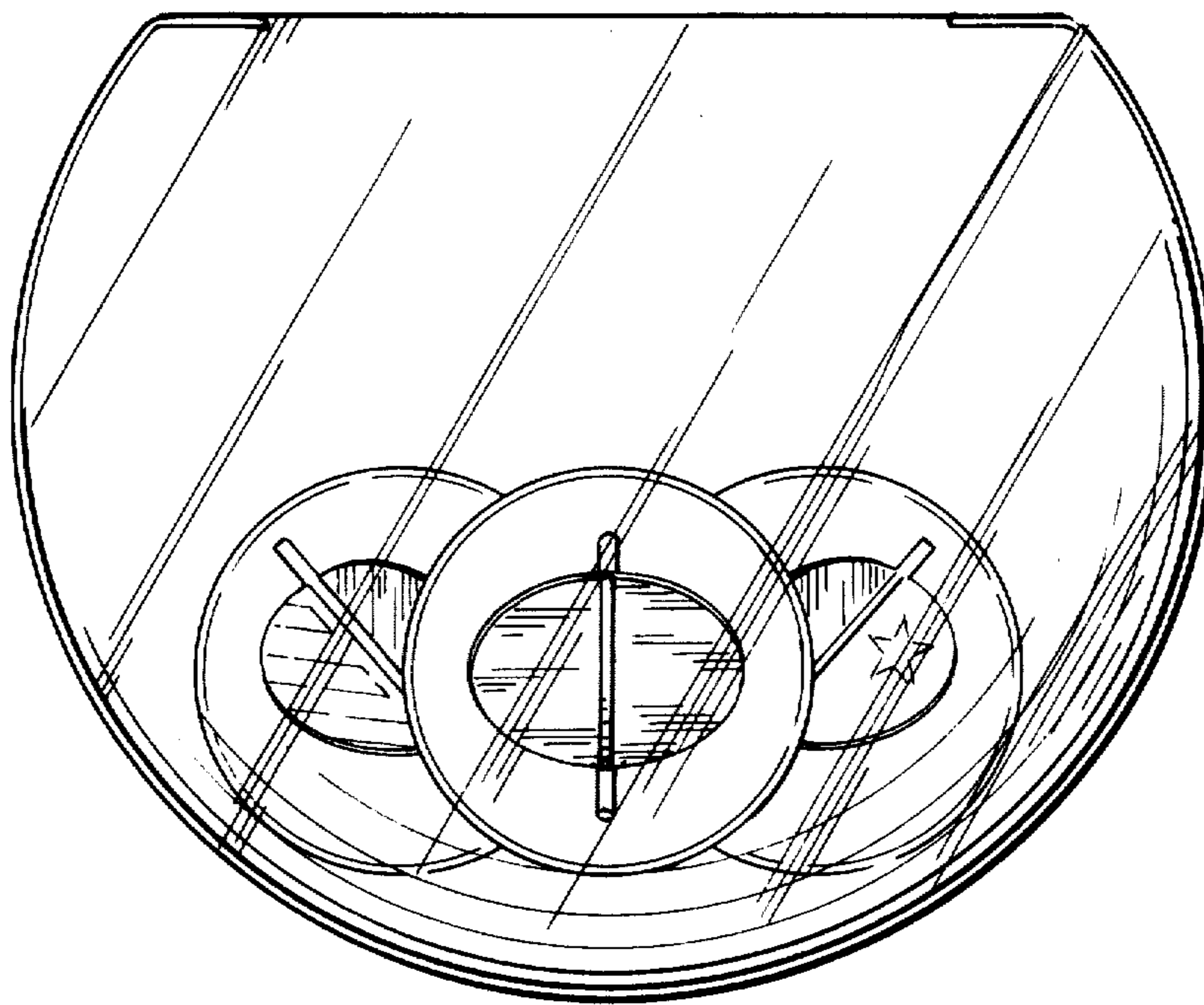


Fig. 1.

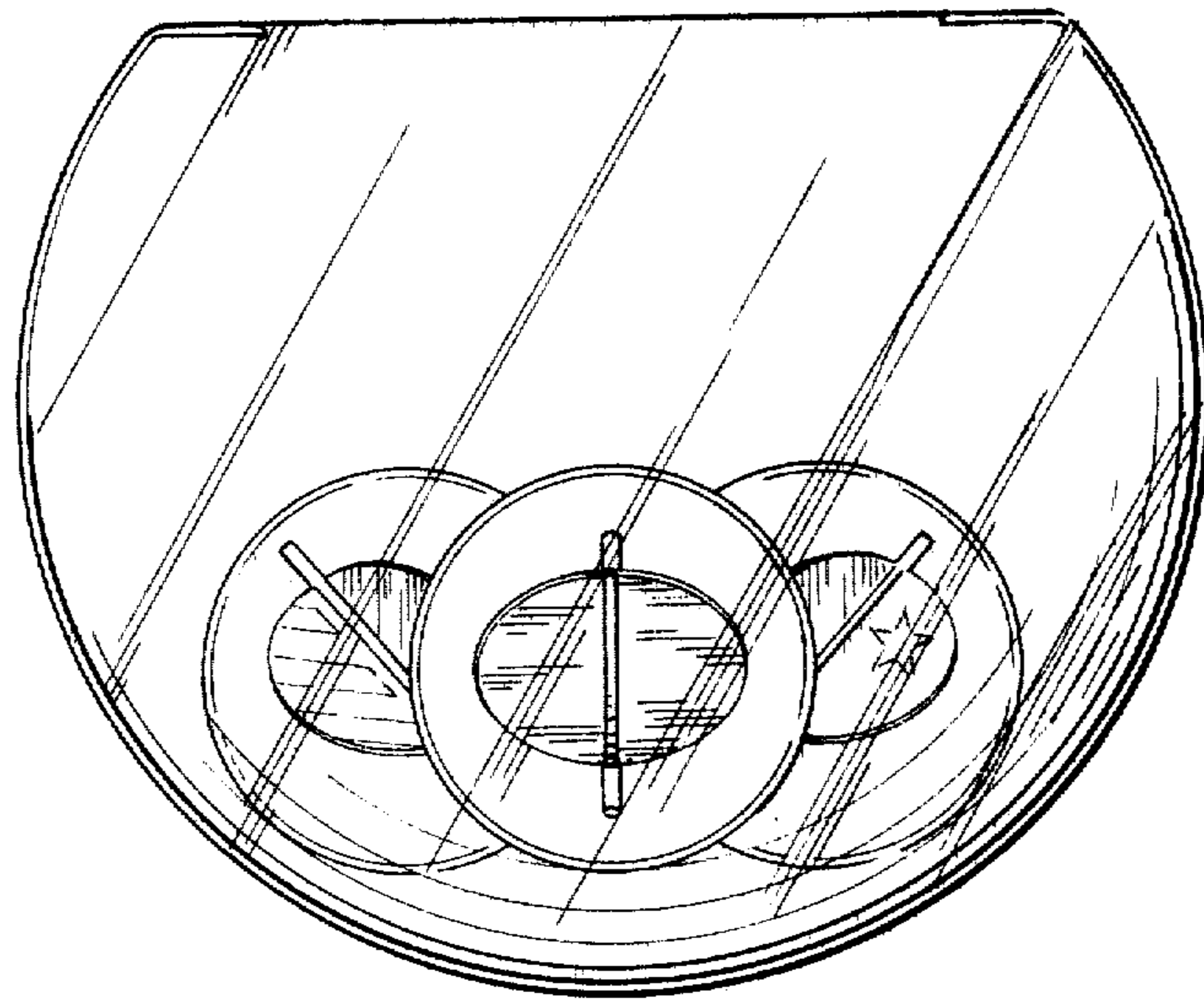


Fig. 2.

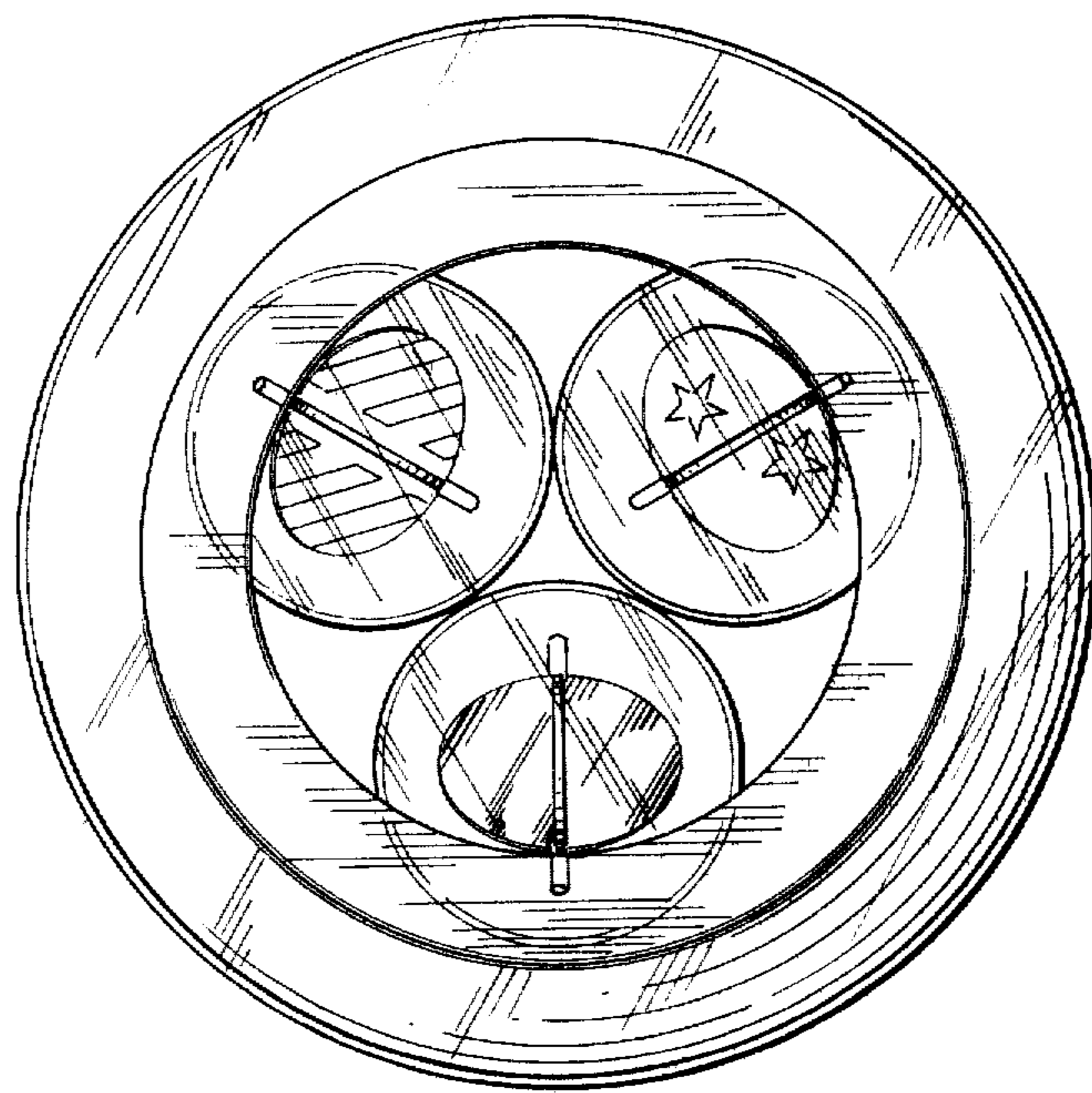


Fig. 3.

