

[54] WATERPROOF HOUSING FOR CAMERA

[75] Inventor: Tsunezo Shimoda, Kamakura, Japan

[73] Assignee: Ricoh Company, Ltd., Tokyo, Japan

[**] Term: 7 Years

[21] Appl. No.: 181,630

[22] Filed: Aug. 26, 1980

[30] Foreign Application Priority Data

Feb. 27, 1980 [JP] Japan 55-007250

[51] Int. Cl. D16-01

[52] U.S. Cl. D16/2

[58] Field of Search D16/1-10,
D16/38, 2; 354/64, 288

[56] References Cited

U.S. PATENT DOCUMENTS

2,865,271 12/1958 Klein 354/64
3,019,715 2/1962 Arnold 354/64

FOREIGN PATENT DOCUMENTS

179967 3/1954 Austria 354/64

OTHER PUBLICATIONS

Skin Diver Mag.-Dec. 1976-p. 18-U.W. Camera Housing "SLR" at bottom-left.

Modern Photography-2/76-p. 64-U.W. Camera Housing.

Primary Examiner—Nelson C. Holtje
Attorney, Agent, or Firm—Wyatt, Gerber, Shoup, Scobey & Badie

CLAIM

[57] The ornamental design for a waterproof housing for camera, as shown and described.

DESCRIPTION

FIG. 1 is a front, top and left side perspective view of a waterproof housing for camera showing my new design;

FIG. 2 is a front elevational view thereof;

FIG. 3 is a top plan view thereof;

FIG. 4 is a right side elevational view thereof;

FIG. 5 is a left side elevational view thereof;

FIG. 6 is a rear elevational view thereof;

FIG. 7 is a bottom plan view thereof.

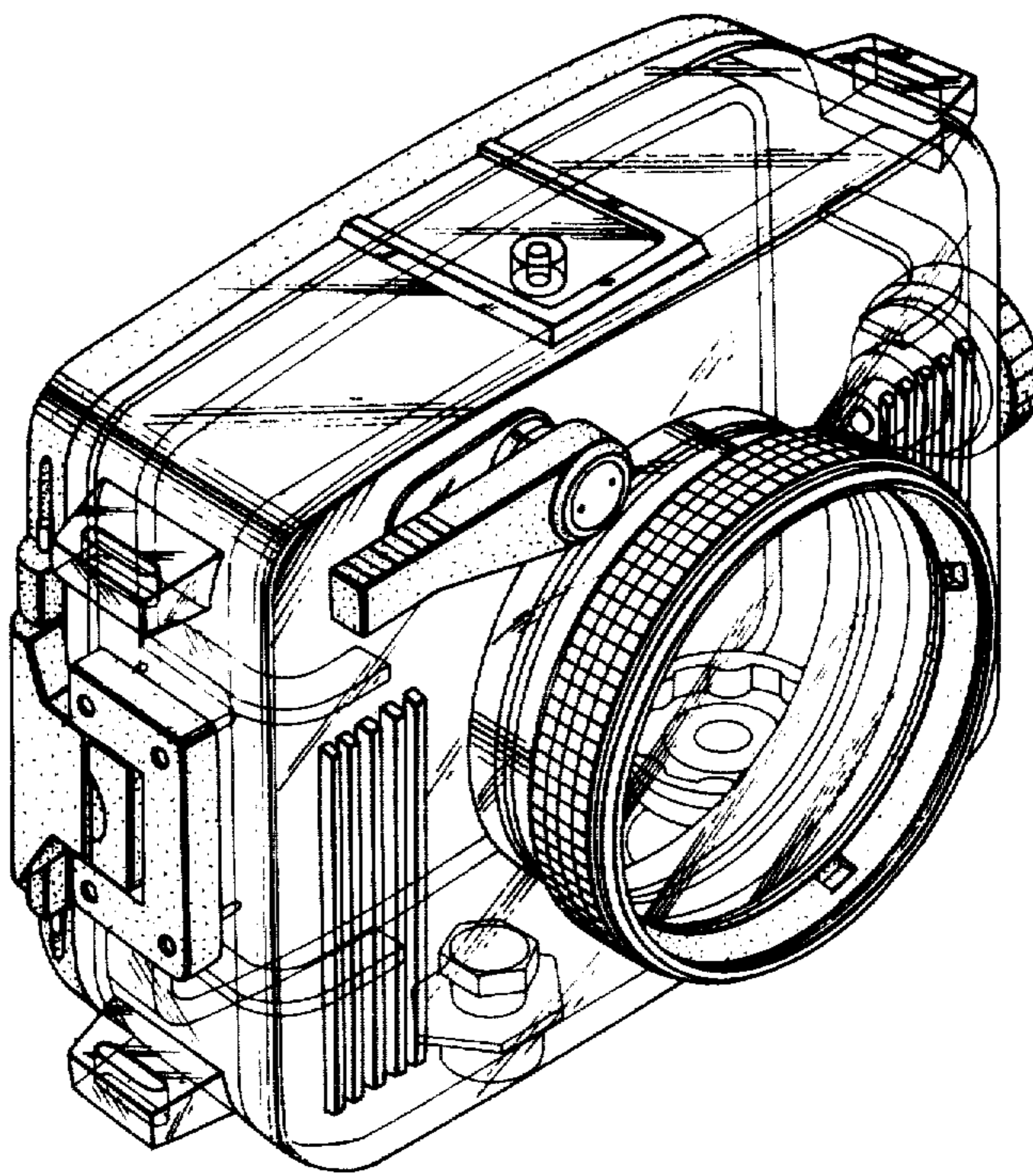


FIG. 1

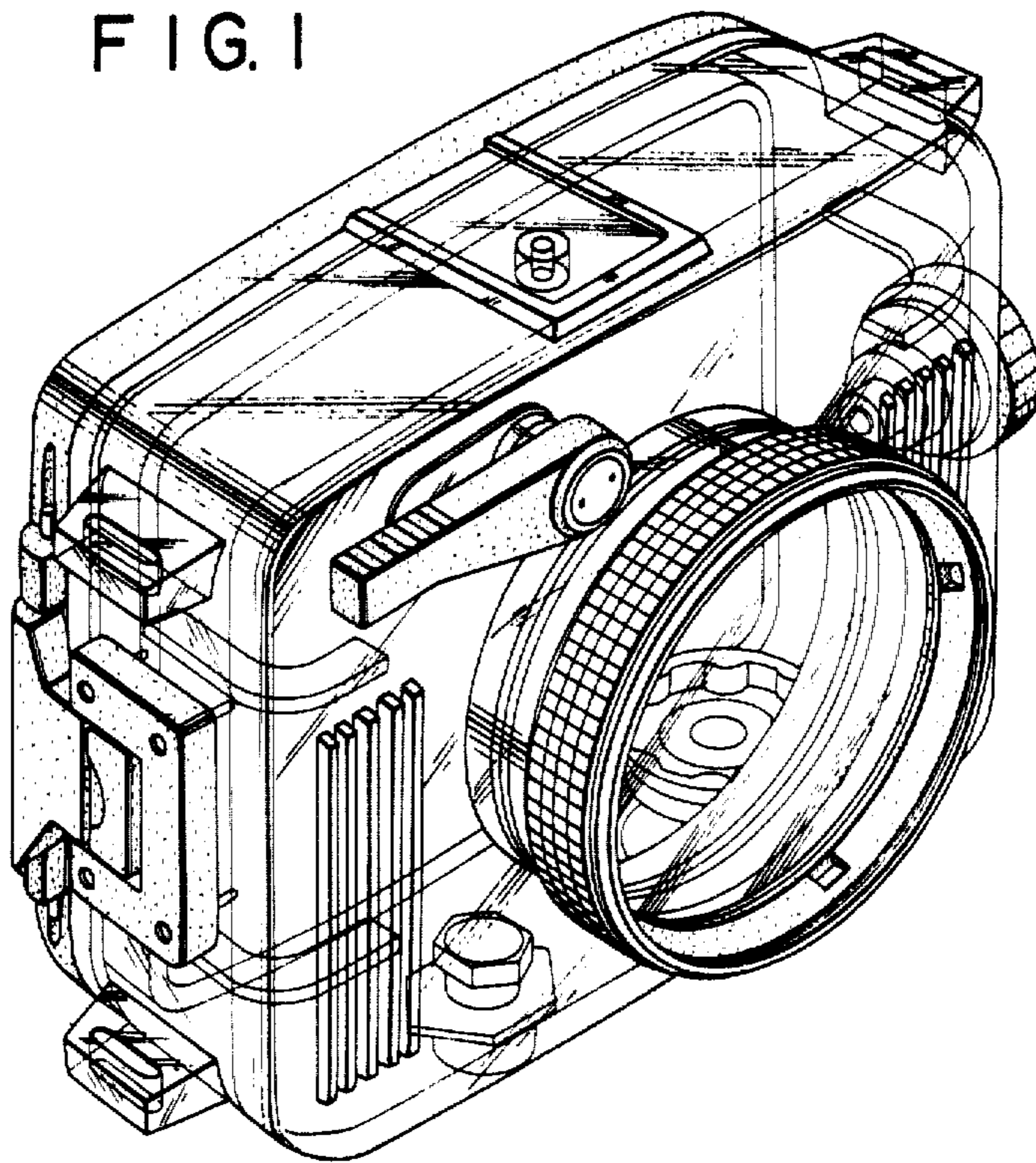


FIG. 2

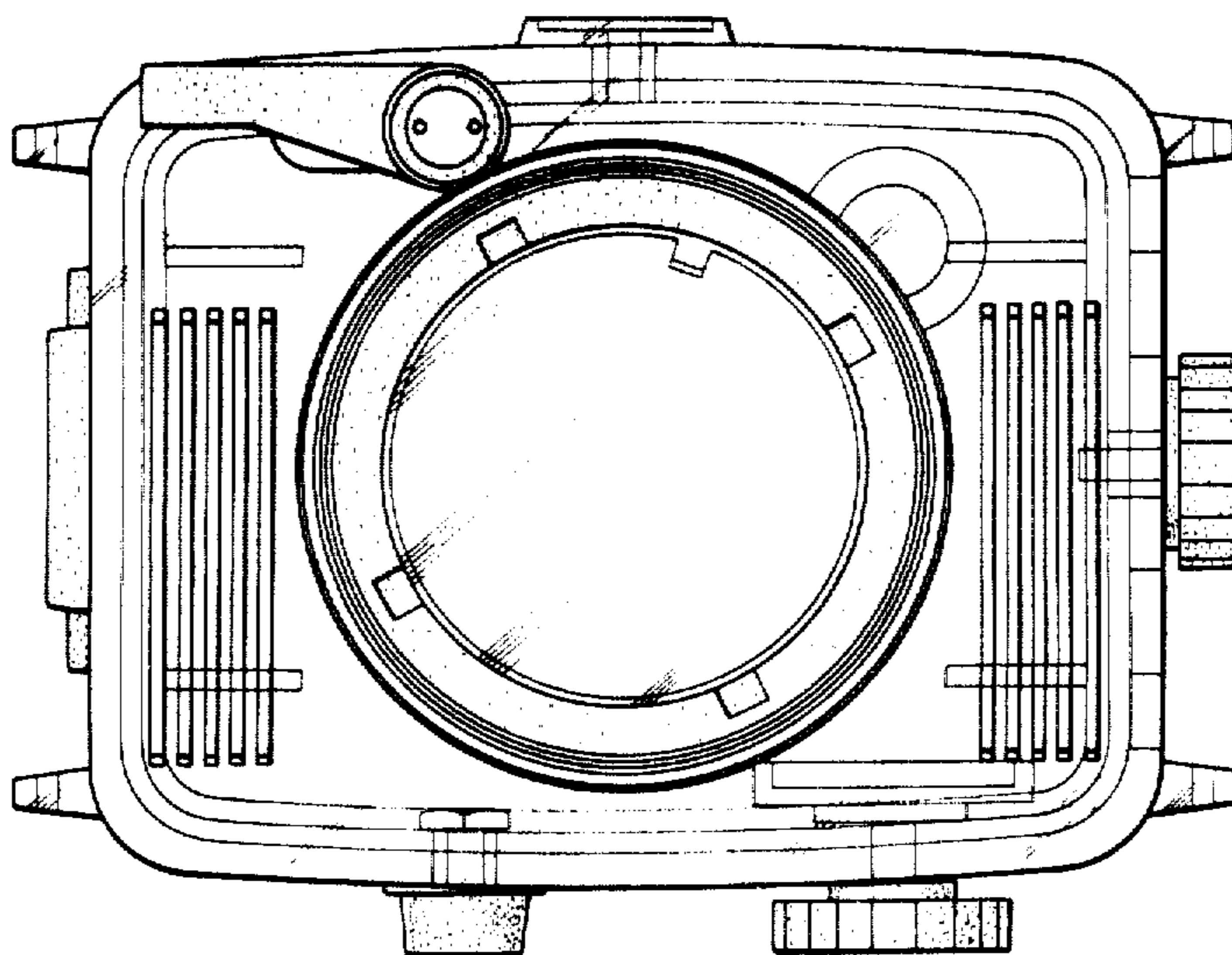


FIG. 3

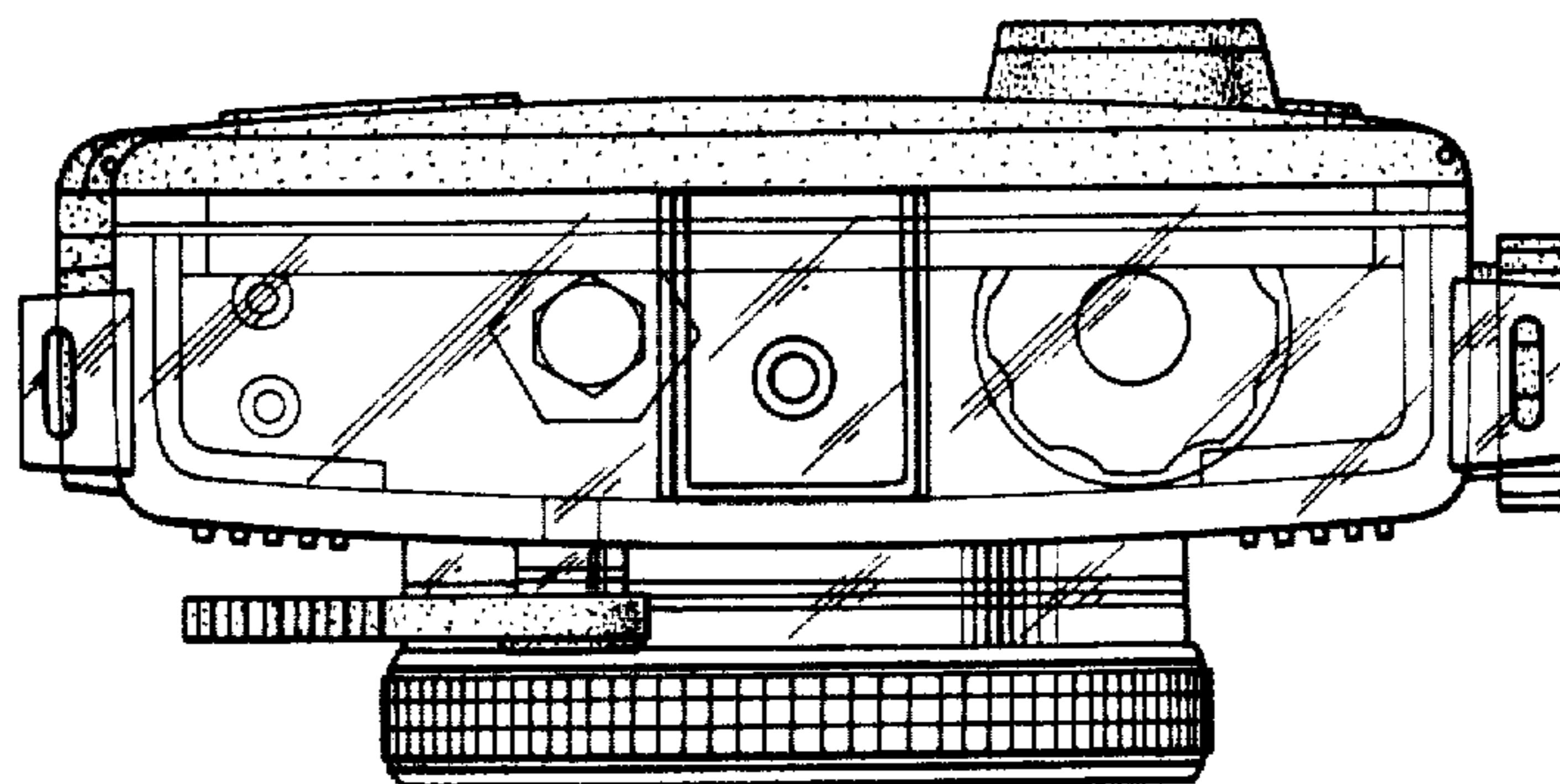


FIG. 4

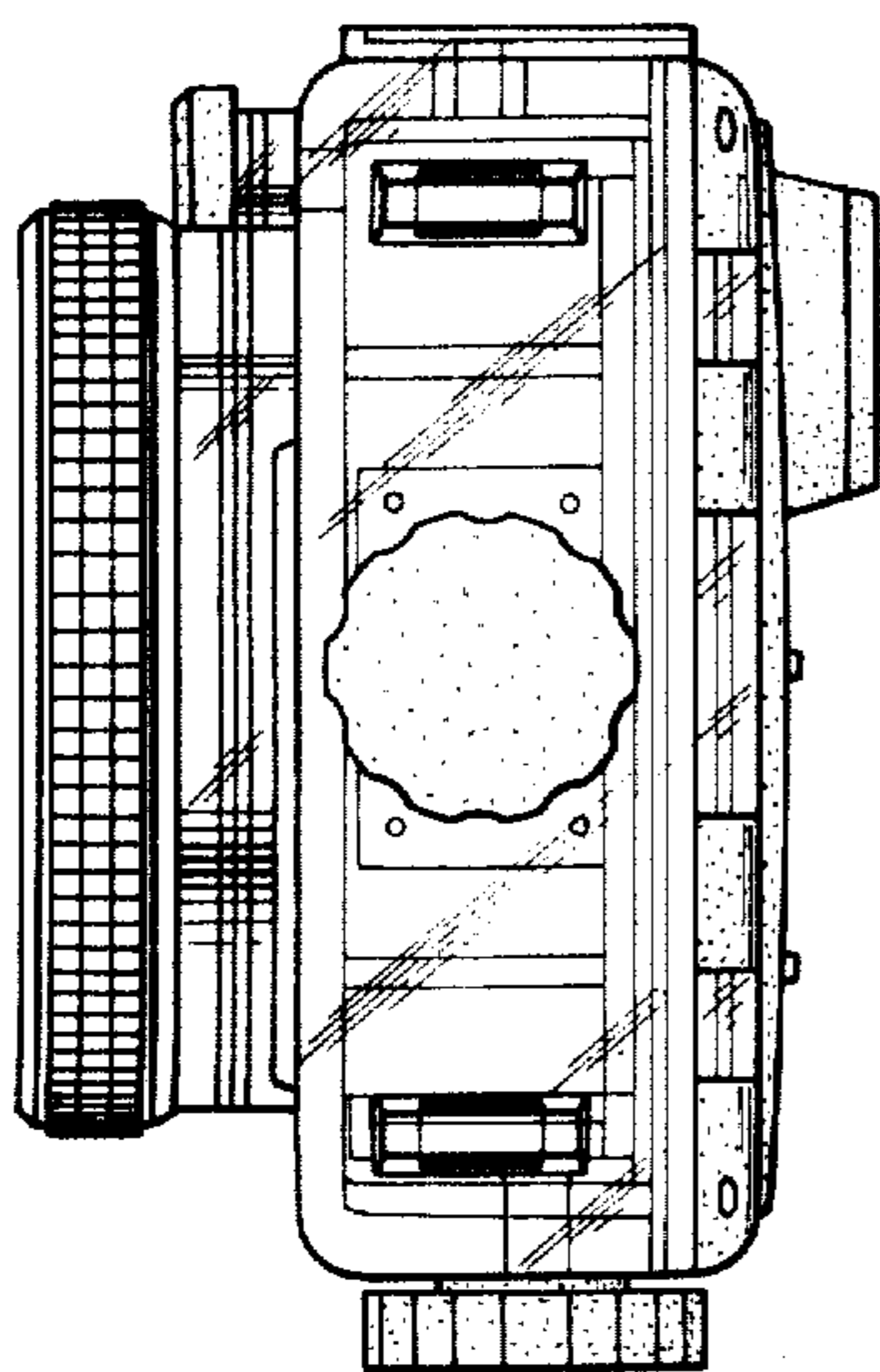


FIG. 5

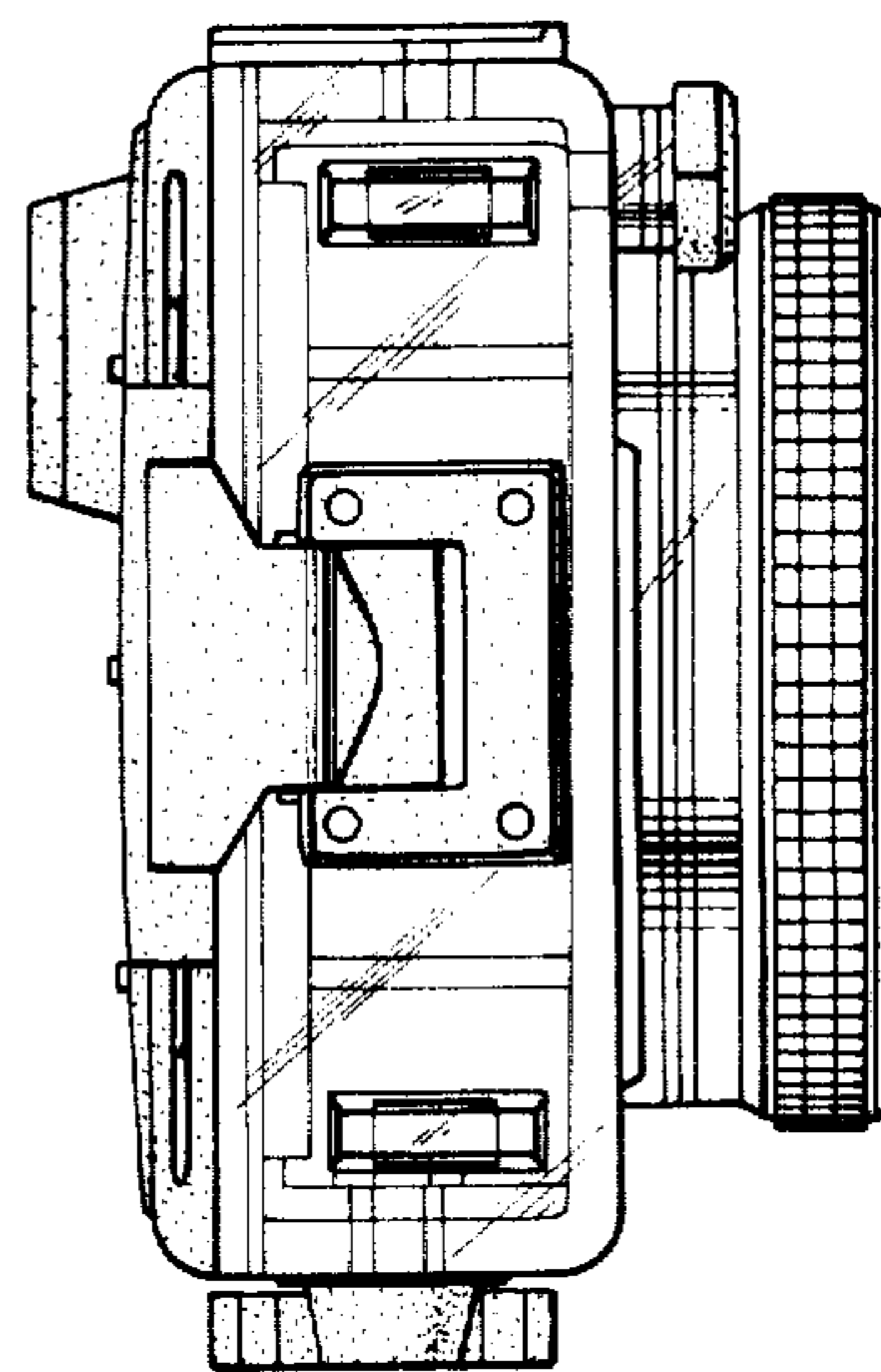


FIG. 6

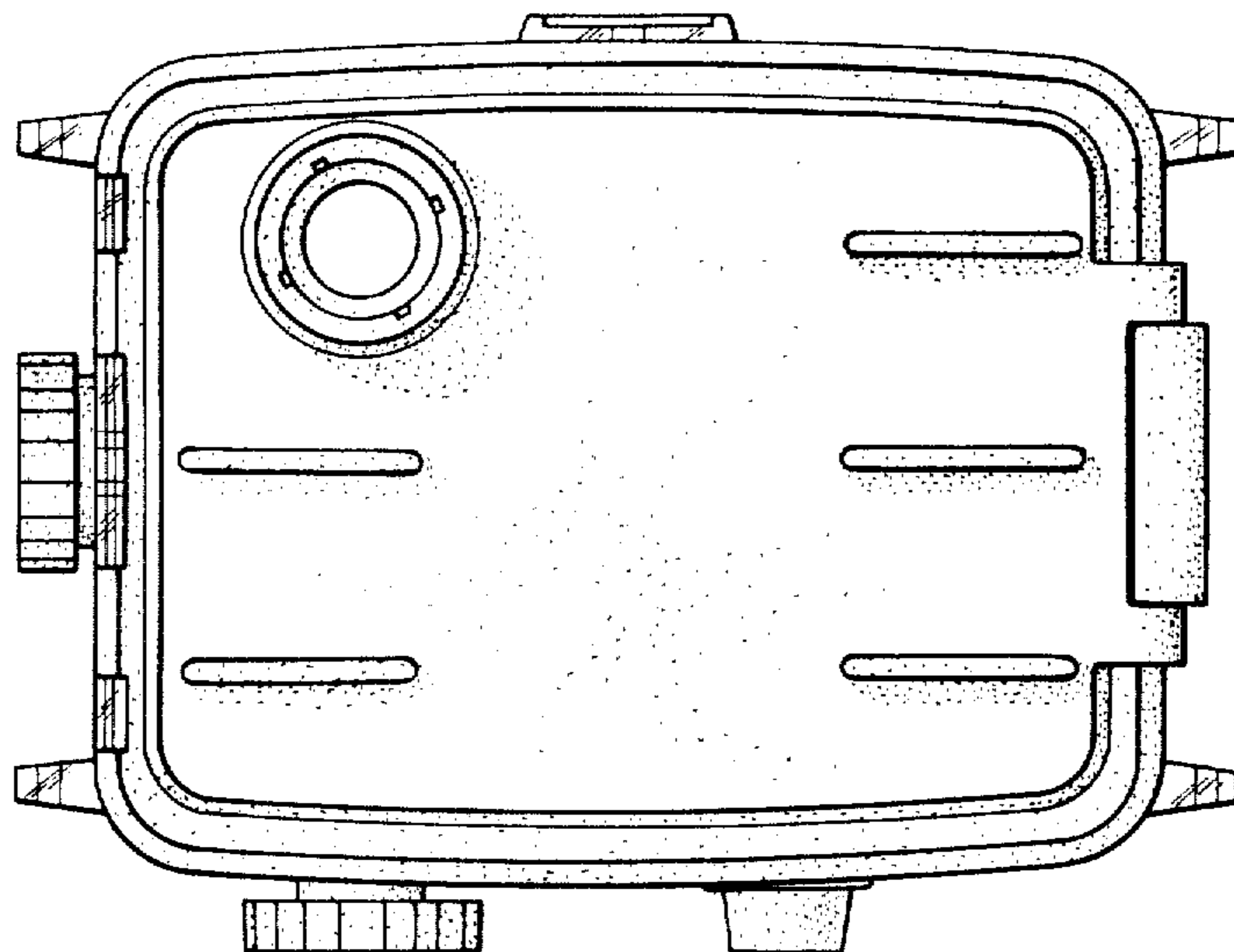


FIG. 7

