

[54] SHORT LENGTH GANG RIP SAW

[76] Inventor: Walter O. Paulson, Jr., 1433 NW. Quimby, Portland, Oreg. 97209

[**] Term: 14 Years

[21] Appl. No.: 50,657

[22] Filed: Jun. 21, 1979

[51] Int. Cl. D15-99

[52] U.S. Cl. D15/133

[58] Field of Search D15/133; 83/431, 425, 83/424

3,381,564	5/1968	Whiteford	83/424
3,724,304	4/1973	Persson	83/425
3,738,403	6/1973	Schwoch et al.	83/431
3,979,983	9/1976	Daniels	83/424
4,198,886	4/1980	Bowers	83/422

Primary Examiner—T. Tung
Attorney, Agent, or Firm—Kolisch, Hartwell & Dickinson

[57] CLAIM

The ornamental design for short length gang rip saw, as shown.

DESCRIPTION

FIG. 1 is a front elevation of the short length gang rip saw.

FIG. 2 is a right side elevation view thereof.

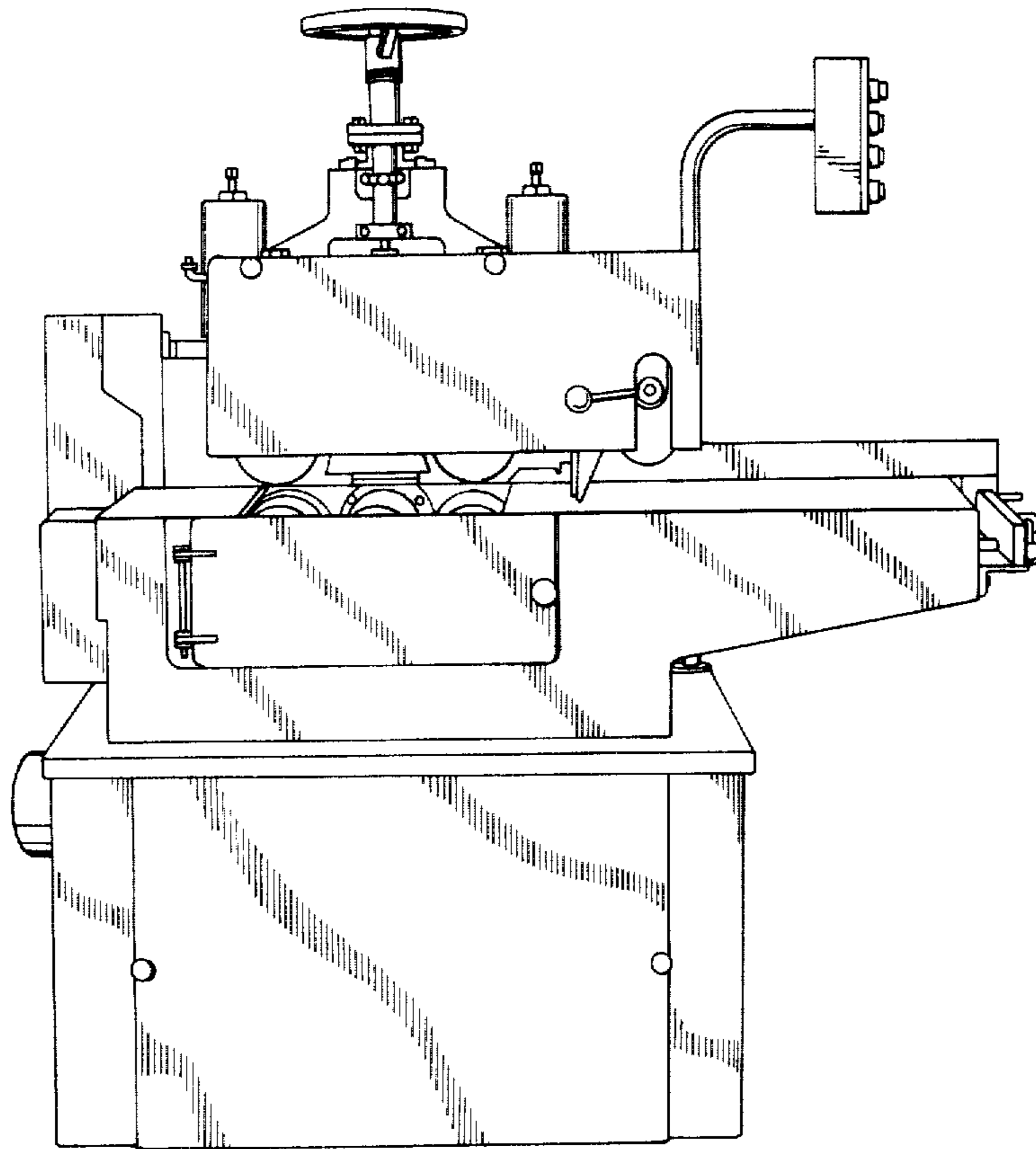
FIG. 3 is a rear elevation view thereof.

FIG. 4 is a left side elevation view thereof.

[56] References Cited

U.S. PATENT DOCUMENTS

D. 161,832	2/1951	Gustin	D15/133
D. 169,902	6/1953	Gustin	D15/133



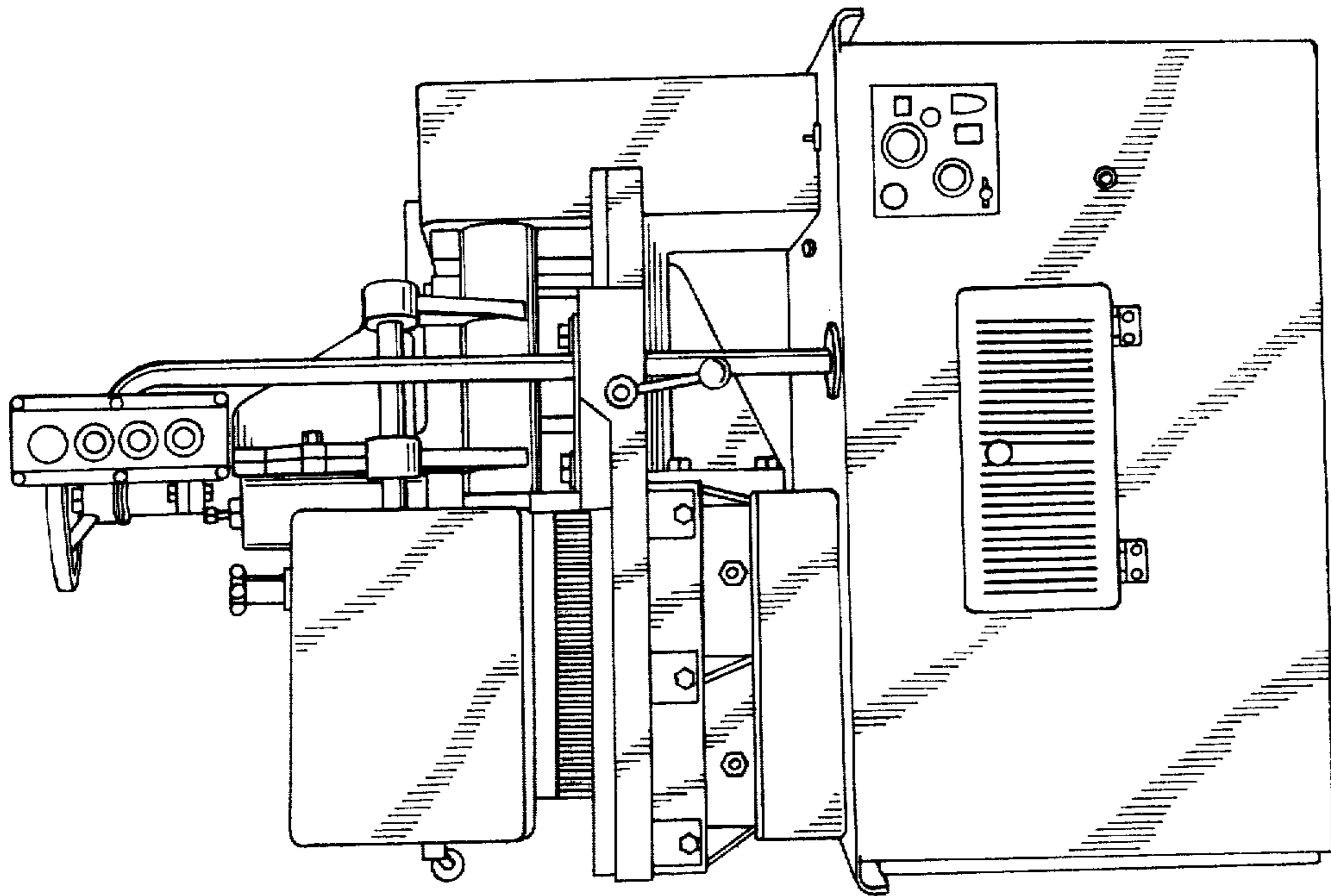


FIG. 2.

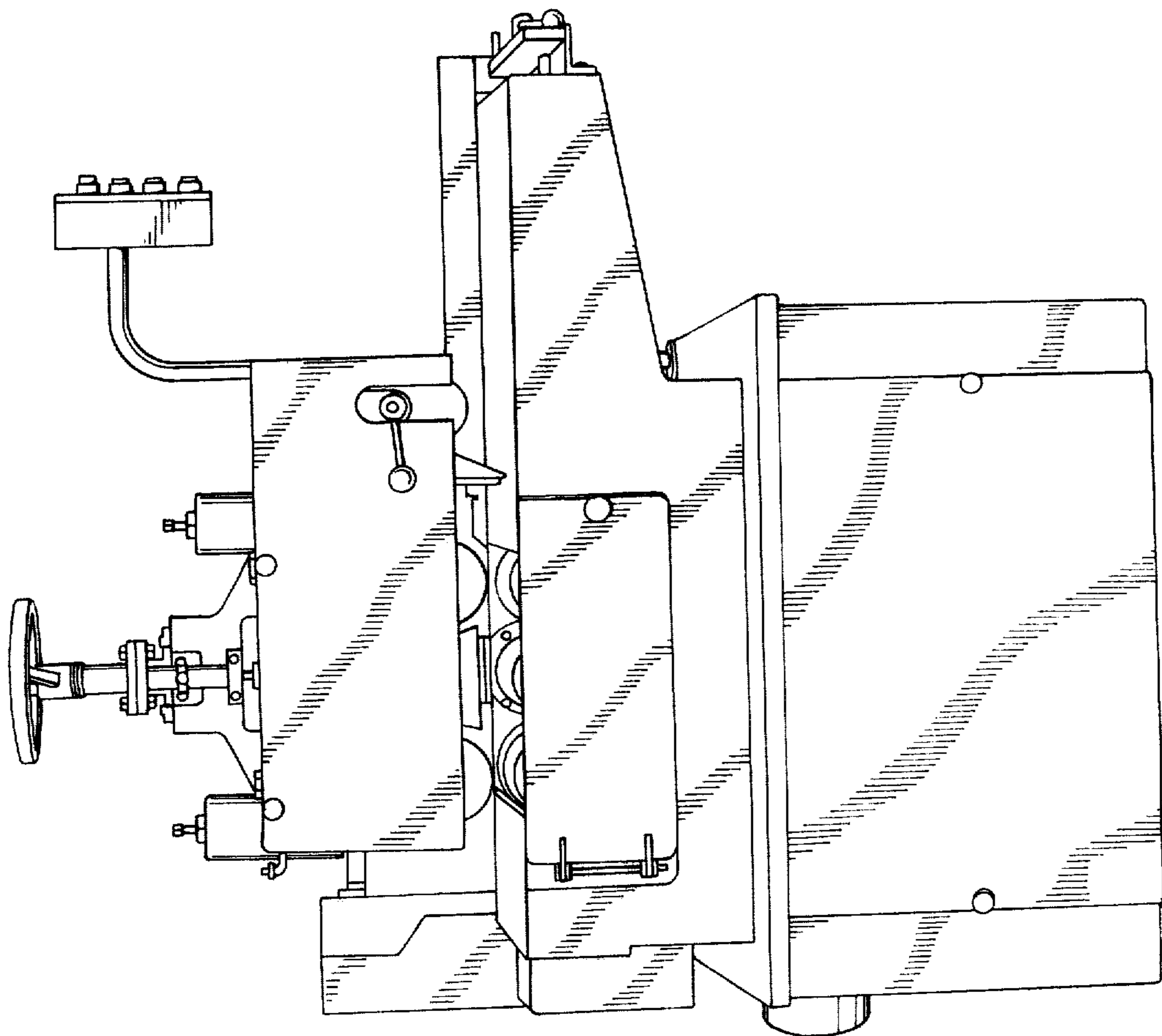


FIG. 1.

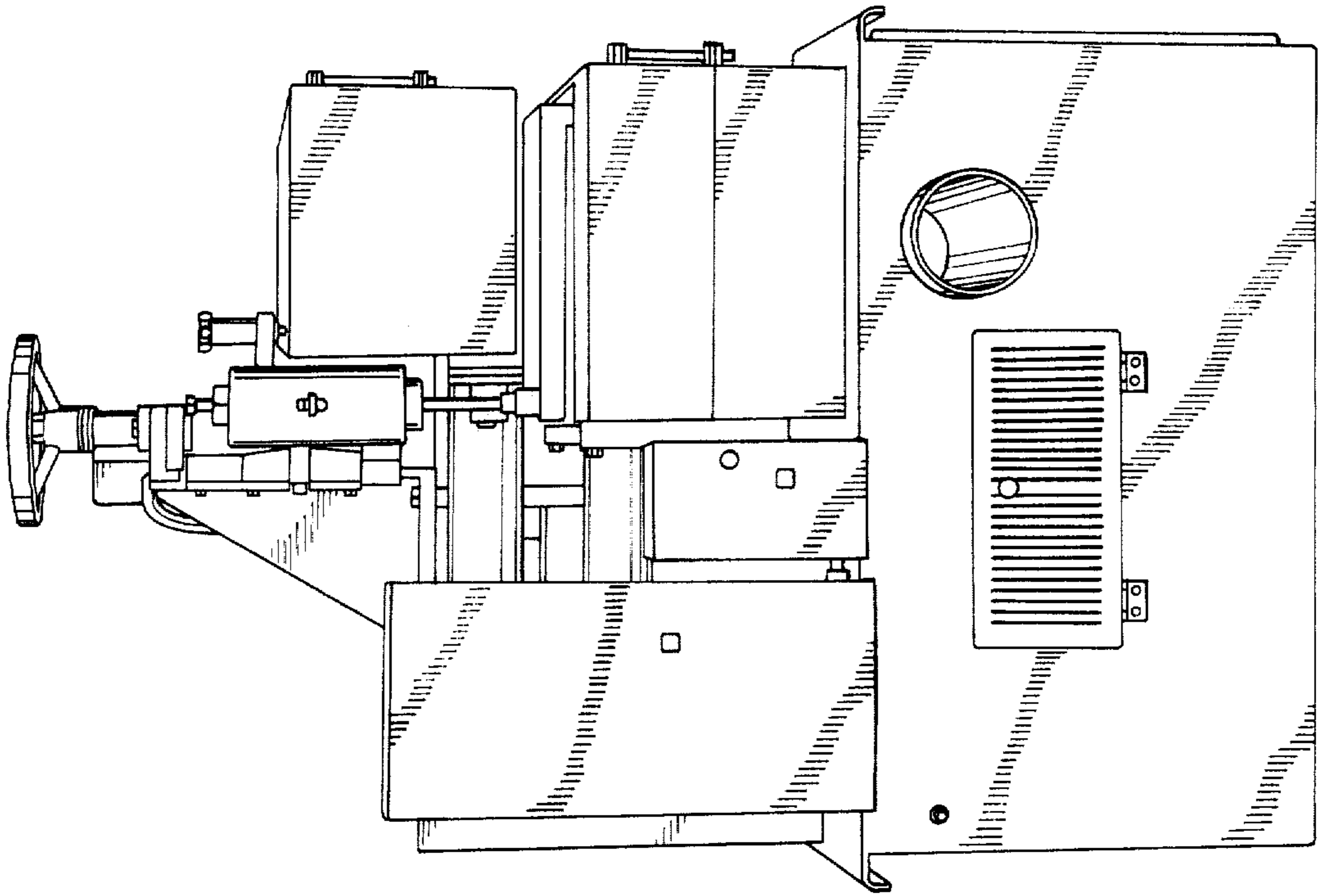


Fig. 4.

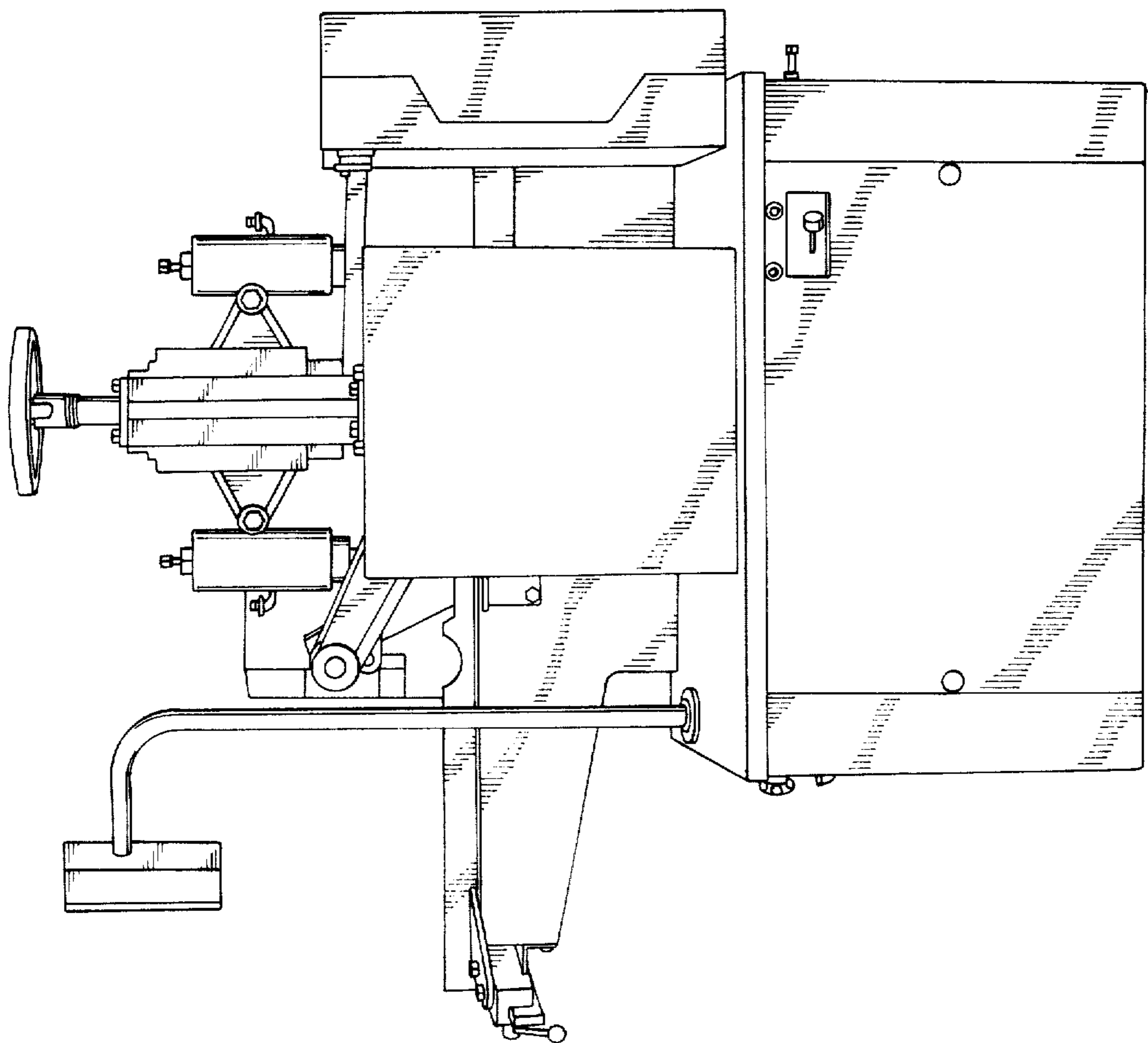


Fig. 3.