

[54] ELECTRIC CULTIVATOR

[75] Inventors: **Ronald J. Holmstadt**, Bloomington, Minn.; **L. Ralph Sorge**, New Canaan; **Robert J. Tiedemann**, Stamford, both of Conn.

[73] Assignee: **The Toro Company**, Minneapolis, Minn.

[**] Term: **14 Years**

[21] Appl. No.: **149,273**

[22] Filed: **May 12, 1980**

[51] Int. Cl. **D15-03**

[52] U.S. Cl. **D15/12**

[58] Field of Search **D15/12; D8/8; 172/41**

[56] **References Cited**

U.S. PATENT DOCUMENTS

- D. 247,899 5/1978 Underwood D15/12
- D. 248,654 7/1978 Ruhl et al. D15/12

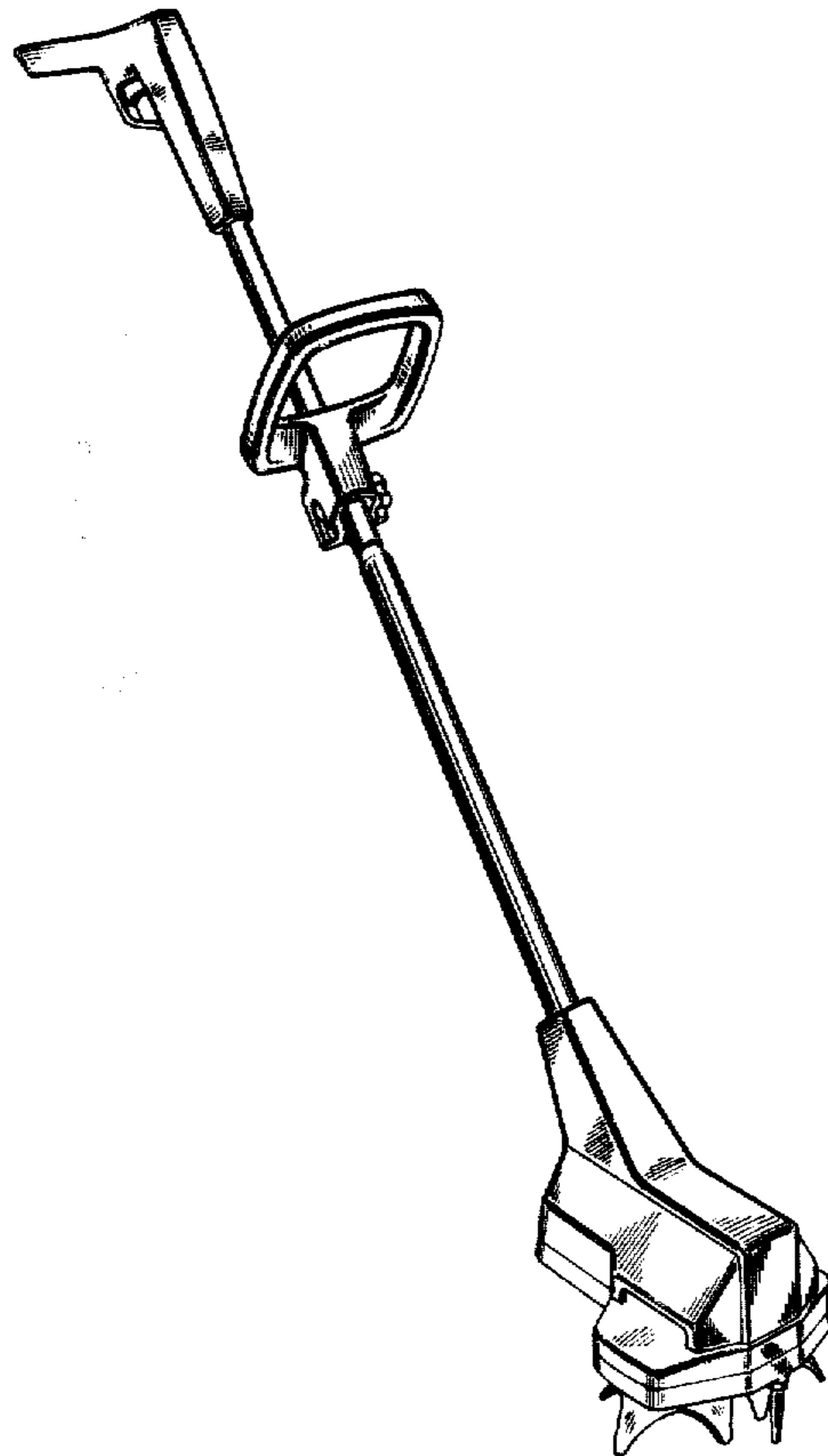
Primary Examiner—James M. Gandy
Attorney, Agent, or Firm—James W. Miller; Joseph P. Martin

[57] **CLAIM**

The ornamental design for an electric cultivator, as shown and described.

DESCRIPTION

FIG. 1 is a perspective view of an electric cultivator embodying our new design;
FIG. 2 is a front elevational view thereof;
FIG. 3 is a top plan view thereof;
FIG. 4 is a left side elevational view thereof;
FIG. 5 is a rear elevational view thereof; and
FIG. 6 is a bottom plan view thereof.



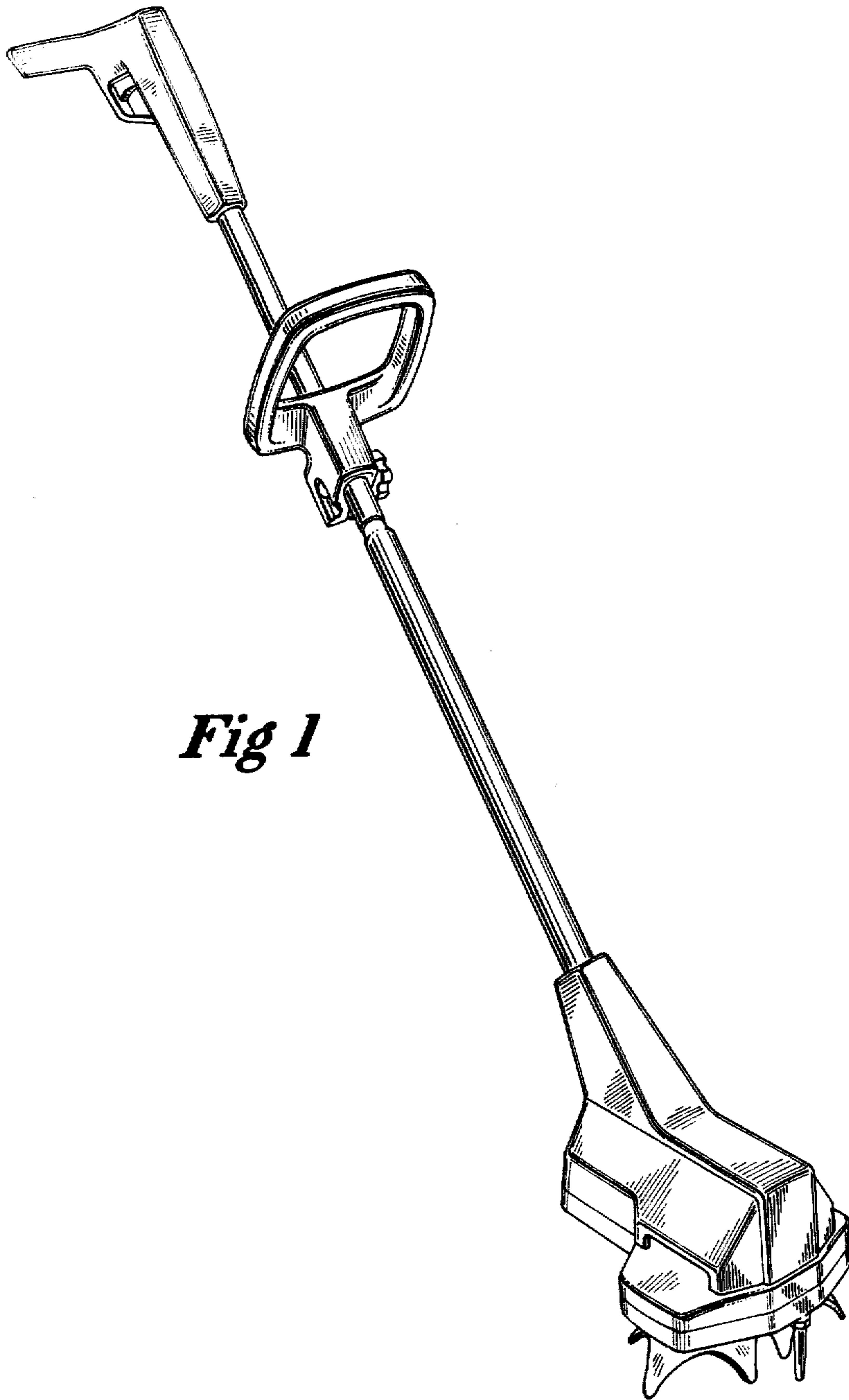


Fig 1

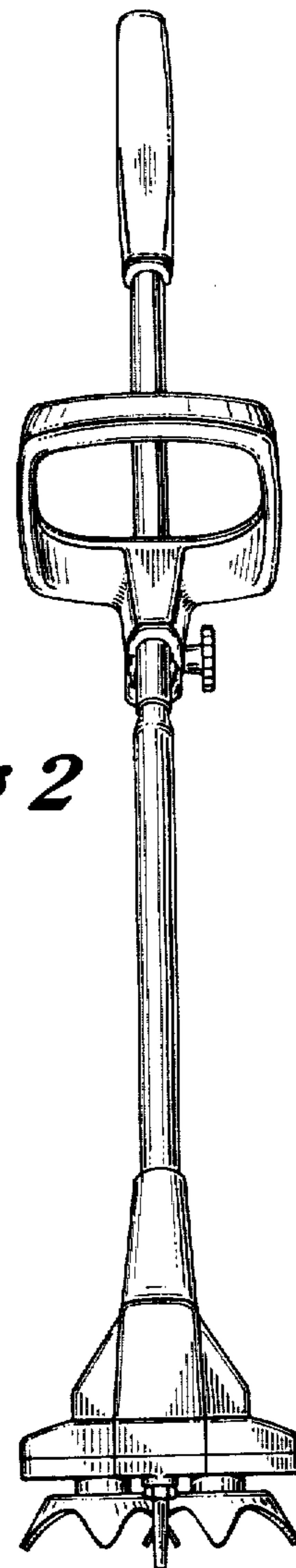


Fig 2

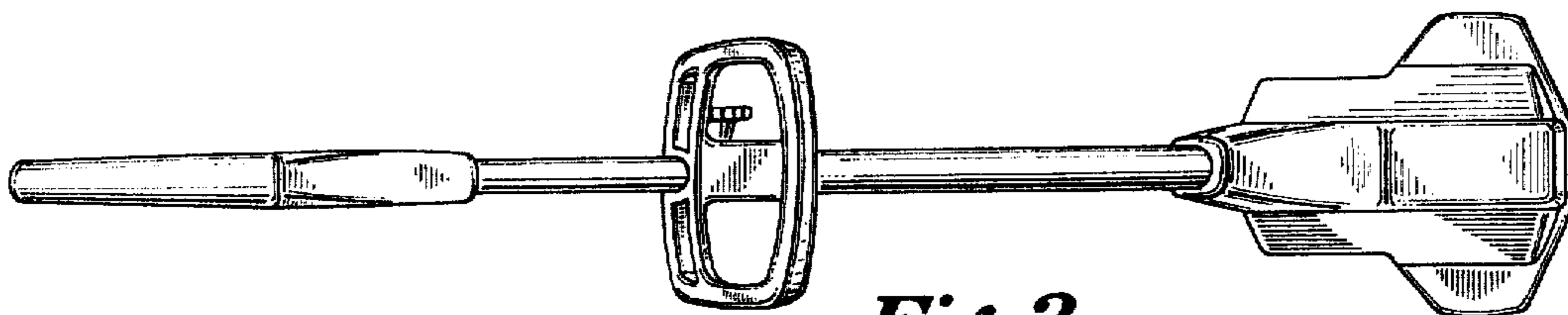


Fig 3

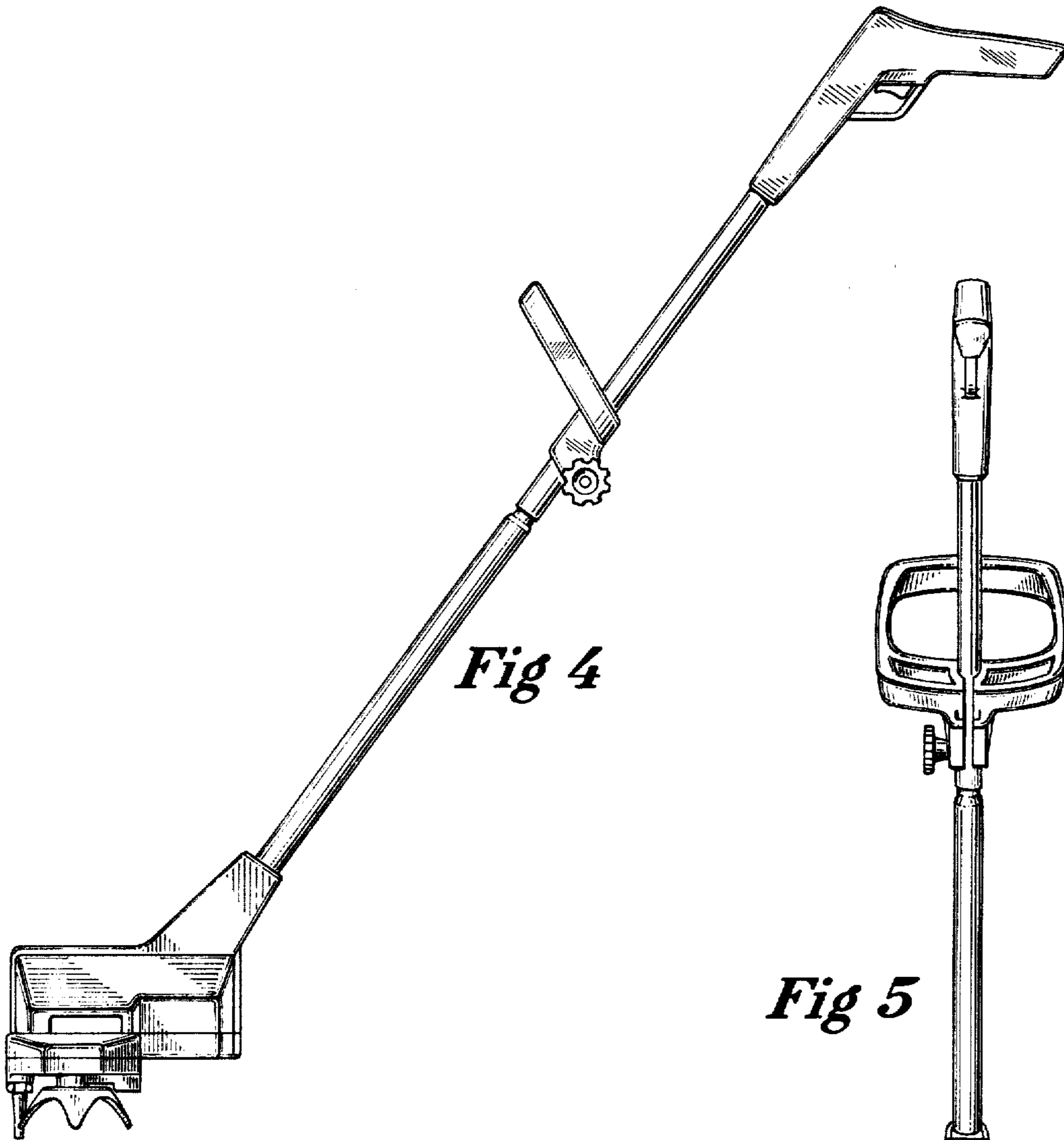


Fig 4

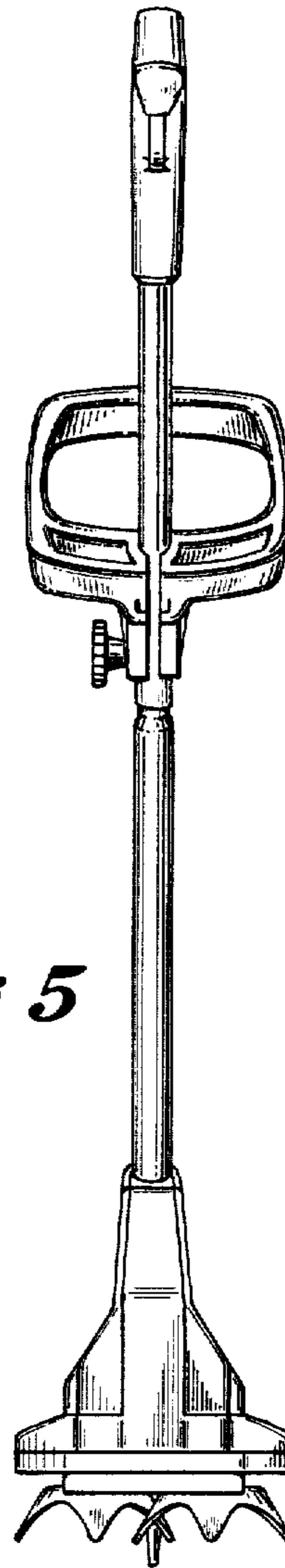


Fig 5

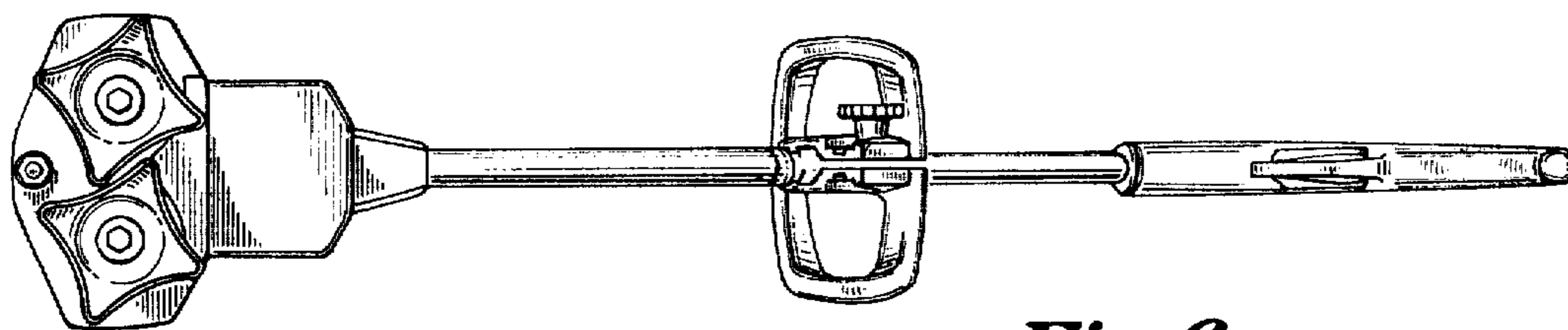


Fig 6