

[54] **VEHICLE WHEEL**

[75] **Inventor:** Donald J. Reid, Pleasant Ridge, Mich.

[73] **Assignee:** Kelsey-Hayes Co., Romulus, Mich.

[**] **Term:** 14 Years

[21] **Appl. No.:** 115,318

[22] **Filed:** Jan. 25, 1980

[51] **Int. Cl.** D12-16
[52] **U.S. Cl.** D12/211
[58] **Field of Search** D12/209-211;
301/63 R, 64 R, 64 SD, 65

[56]

References Cited

U.S. PATENT DOCUMENTS

D. 230,726 3/1974 Cravits D12/211
D. 256,456 8/1980 Blanchard D12/211

OTHER PUBLICATIONS

Product Engineering, 5/78, p. 44, Wheel, top of page.
Primary Examiner—James M. Gandy

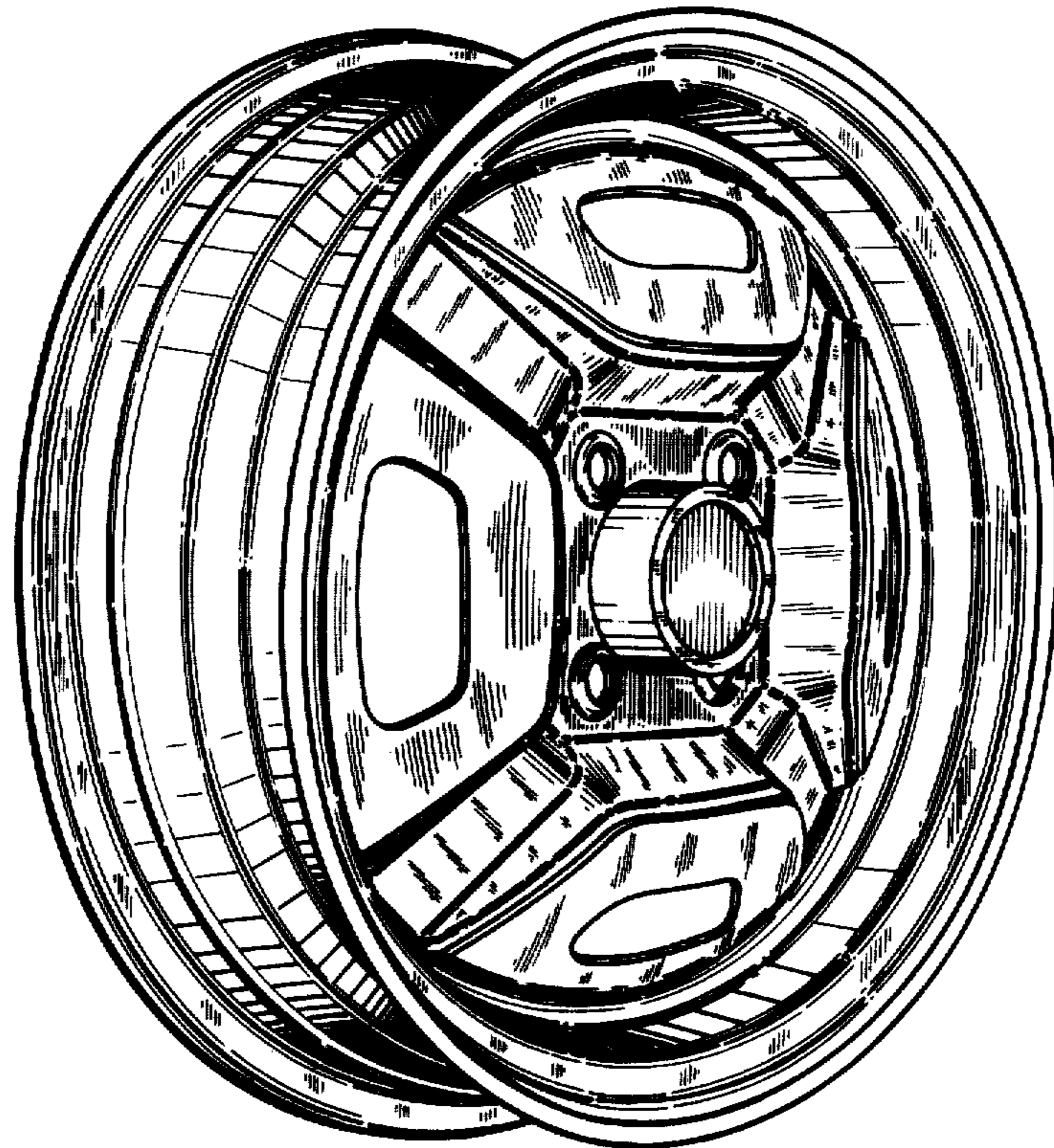
[57]

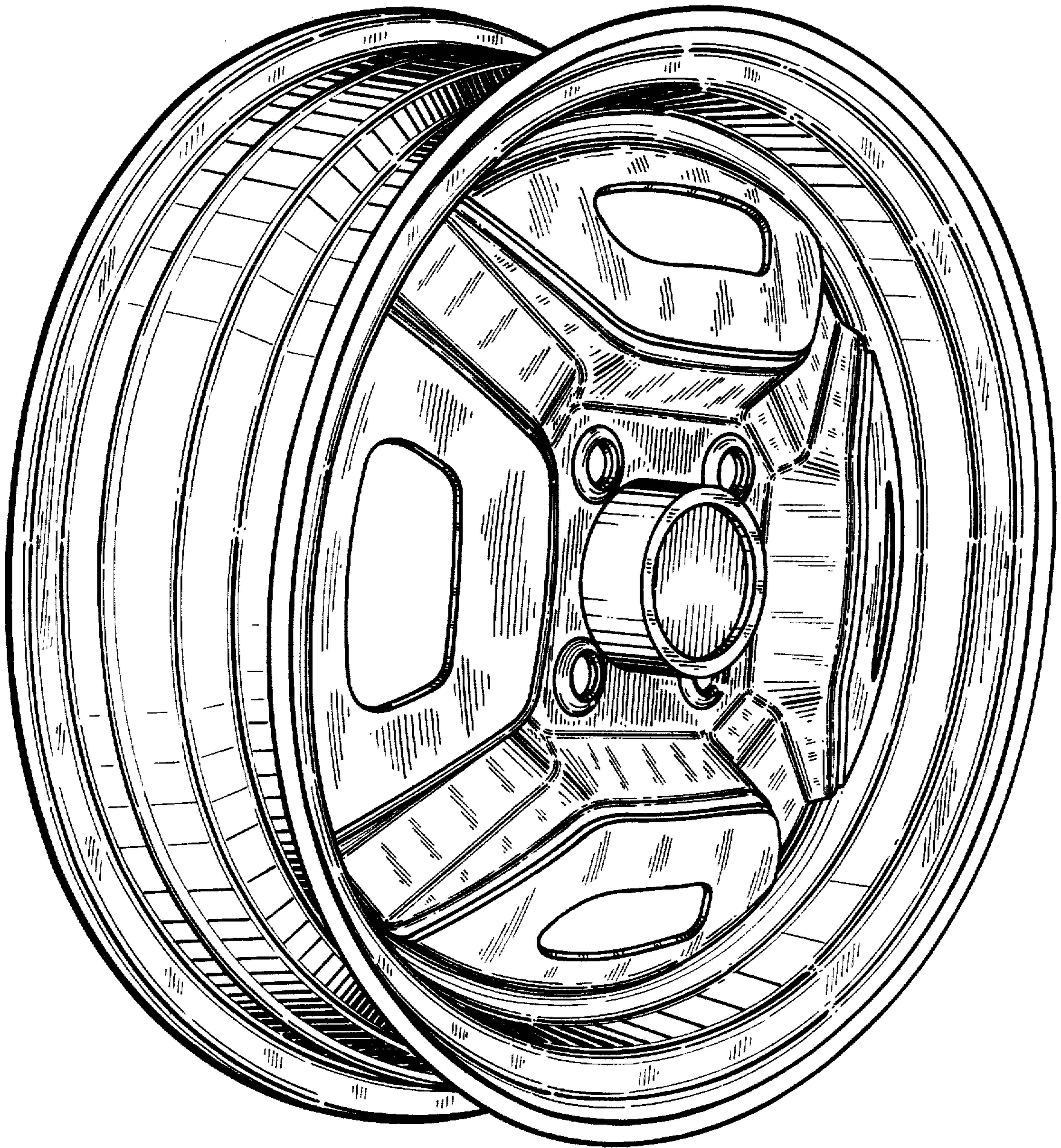
CLAIM

The ornamental design for a vehicle wheel, substantially as shown.

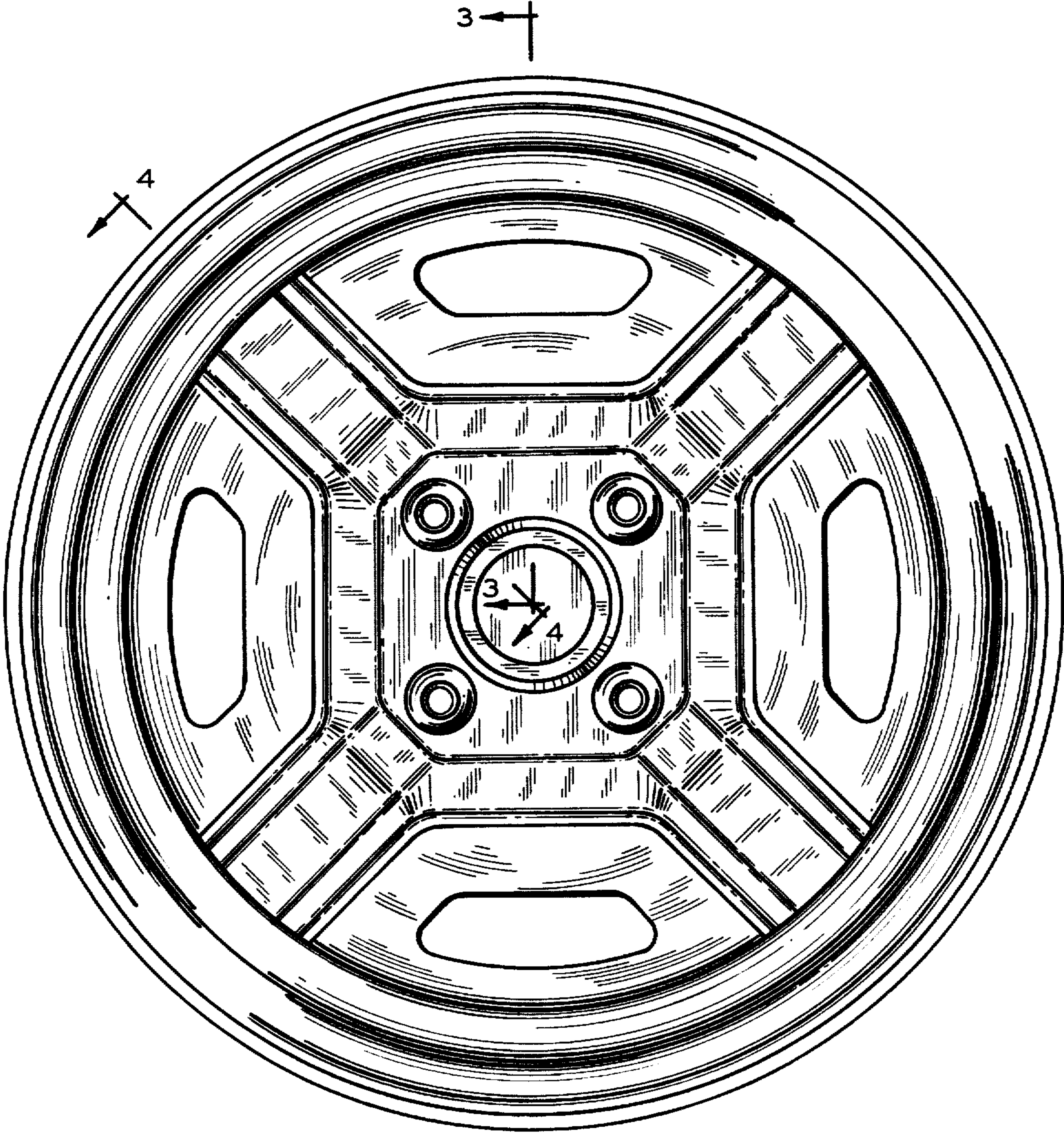
DESCRIPTION

FIG. 1 is a left front perspective view of a vehicle wheel showing my new design.
FIG. 2 is a front elevational view thereof.
FIG. 3 is an enlarged sectional view taken along line 3-3 in FIG. 2.
FIG. 4 is an enlarged sectional view taken along line 4-4 in FIG. 2.

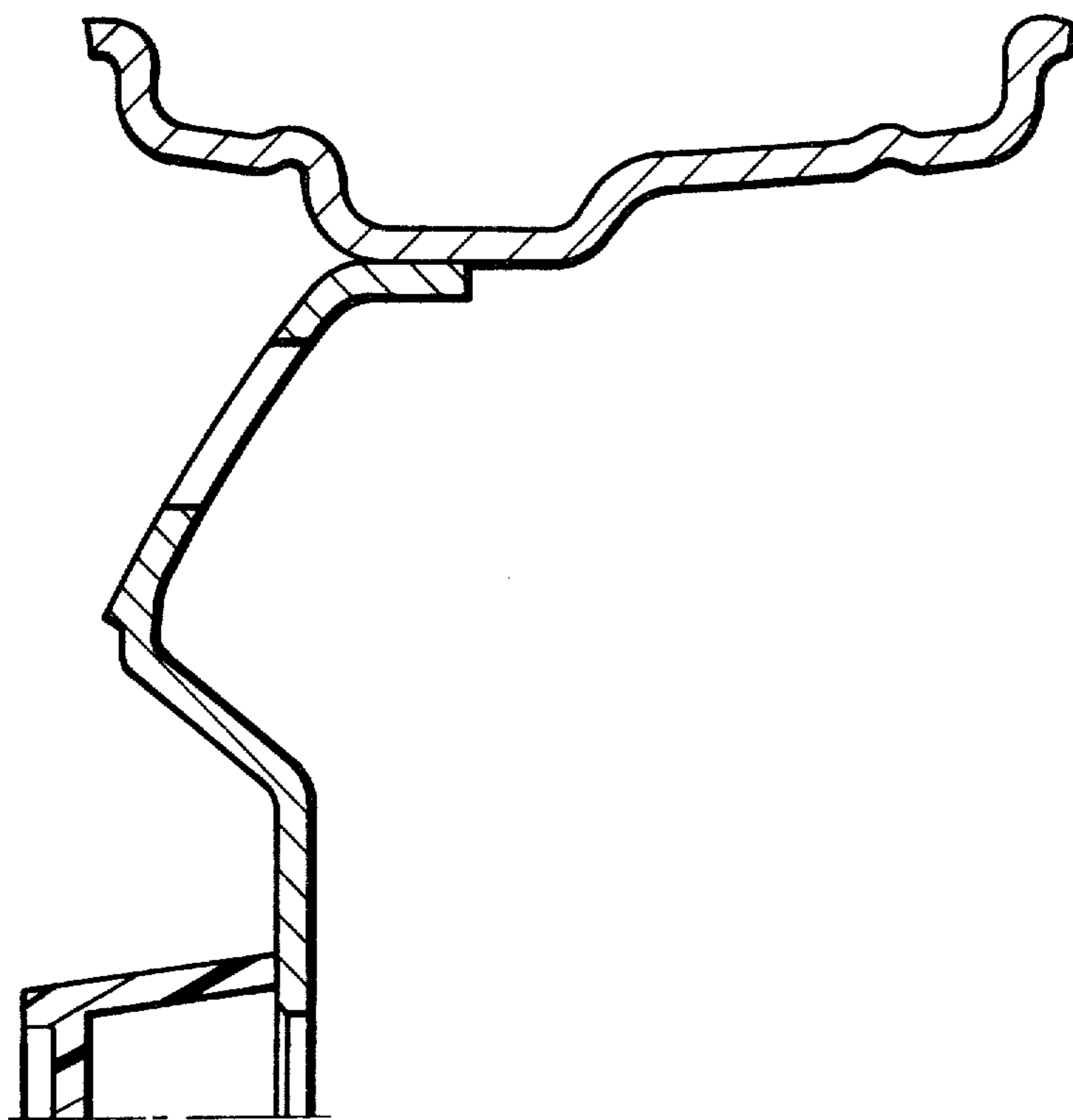




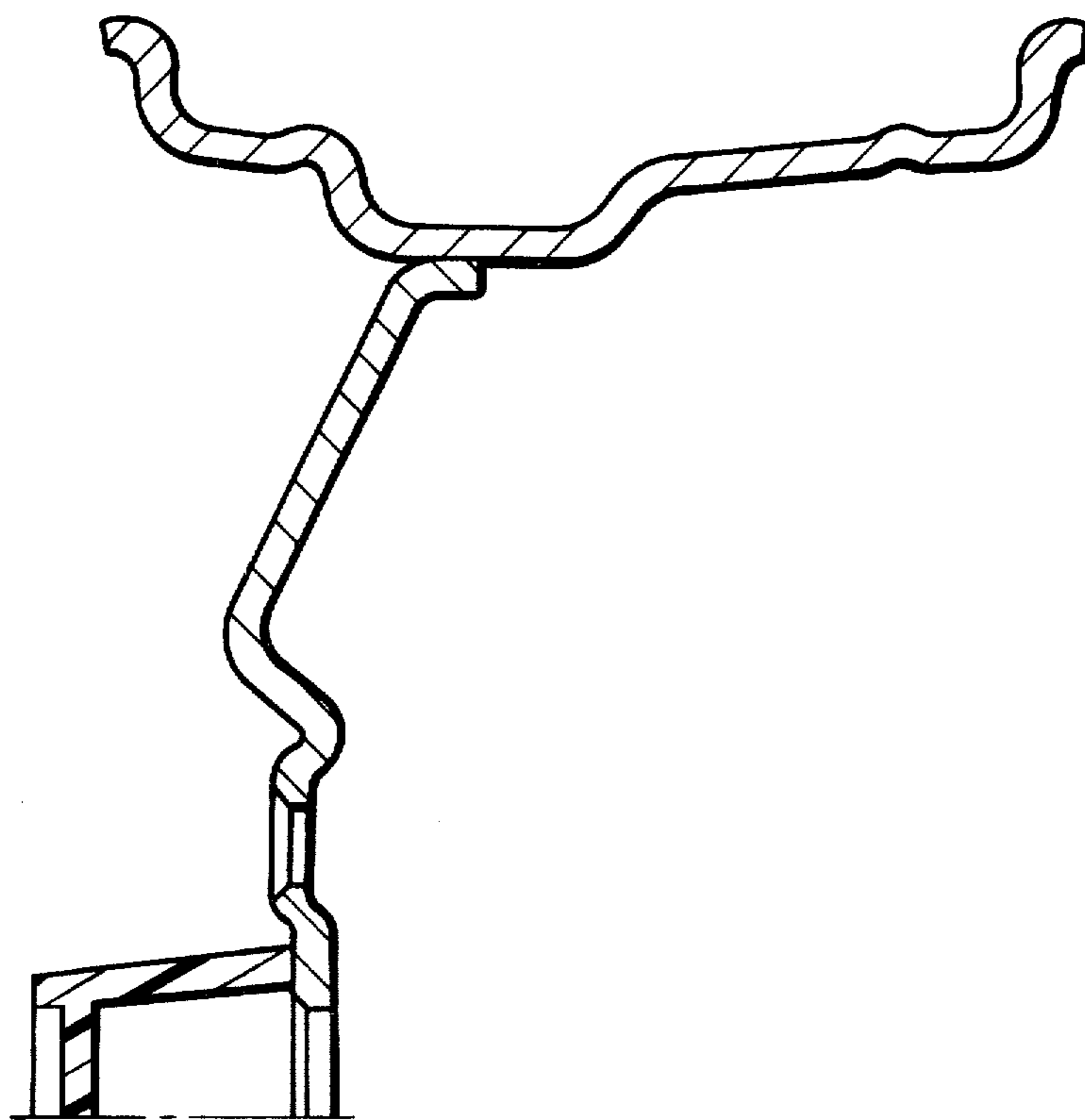
—FIG. 1



—FIG. 2



—FIG. 3



—FIG. 4