

[54] **DESIGN FOR A BICYCLE GEAR SHIFTER**

[75] **Inventor:** Daniel G. Hahn, Olney, Ill.

[73] **Assignee:** AMF Incorporated, White Plains, N.J.

[**] **Term:** 14 Years

[21] **Appl. No.:** 121,558

[22] **Filed:** Feb. 14, 1980

[51] **Int. Cl.** D12-16

[52] **U.S. Cl.** D12/179

[58] **Field of Search** D12/179; 74/487, 488, 74/489, 551.8; 280/238, 289 H

[56]

References Cited

U.S. PATENT DOCUMENTS

3,701,546 10/1972 Schwerdhofer et al. 74/489
4,189,954 2/1980 Nakamura et al. 74/488

Primary Examiner—James M. Gandy
Attorney, Agent, or Firm—David E. Dougherty; Walter Lewis

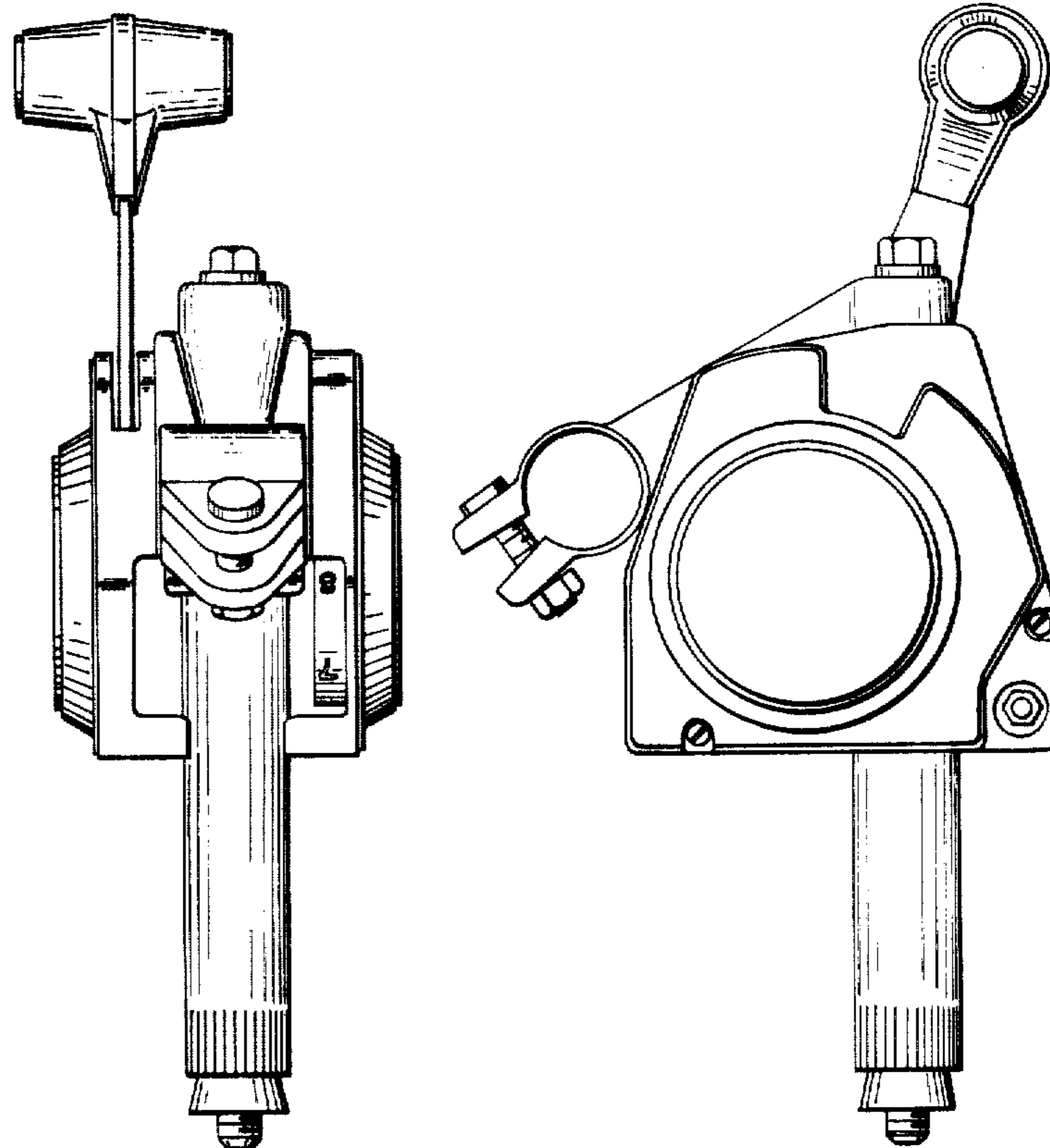
[57]

CLAIM

The ornamental design for a bicycle gear shifter, as shown.

DESCRIPTION

FIG. 1 is a front elevation view of the bicycle gear shifter;
FIG. 2 is a left side elevation view;
FIG. 3 is a top plan view;
FIG. 4 is a rear elevation view;
FIG. 5 is a right side elevation view; and
FIG. 6 is a bottom plan view.



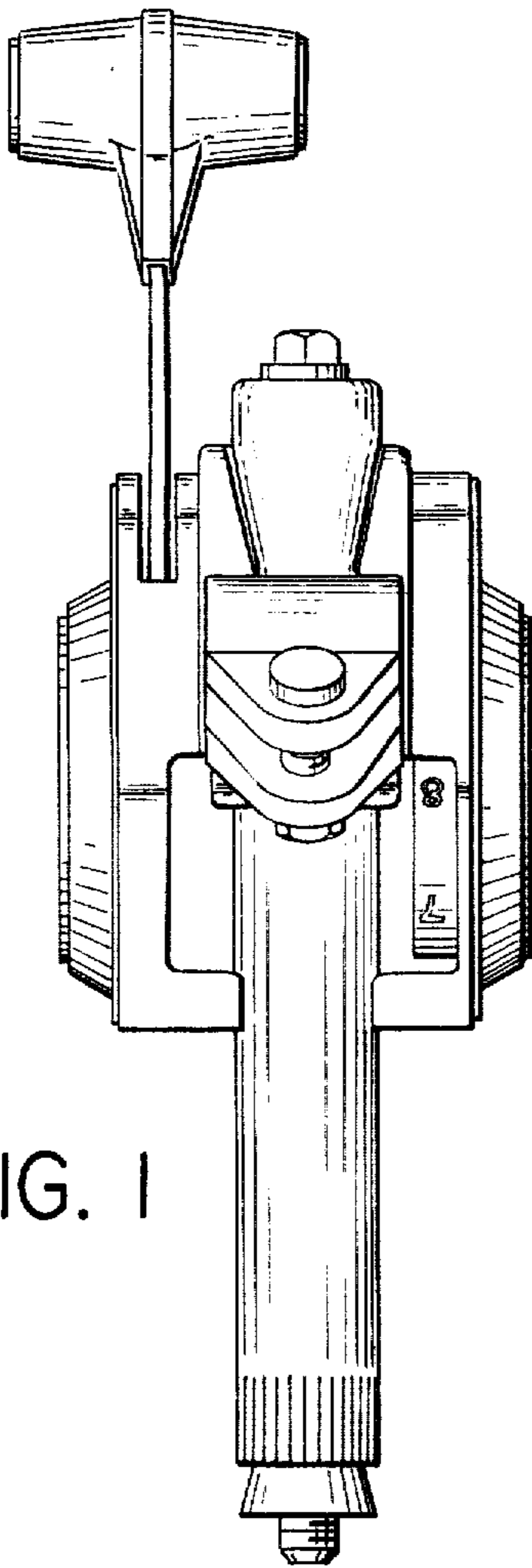


FIG. 1

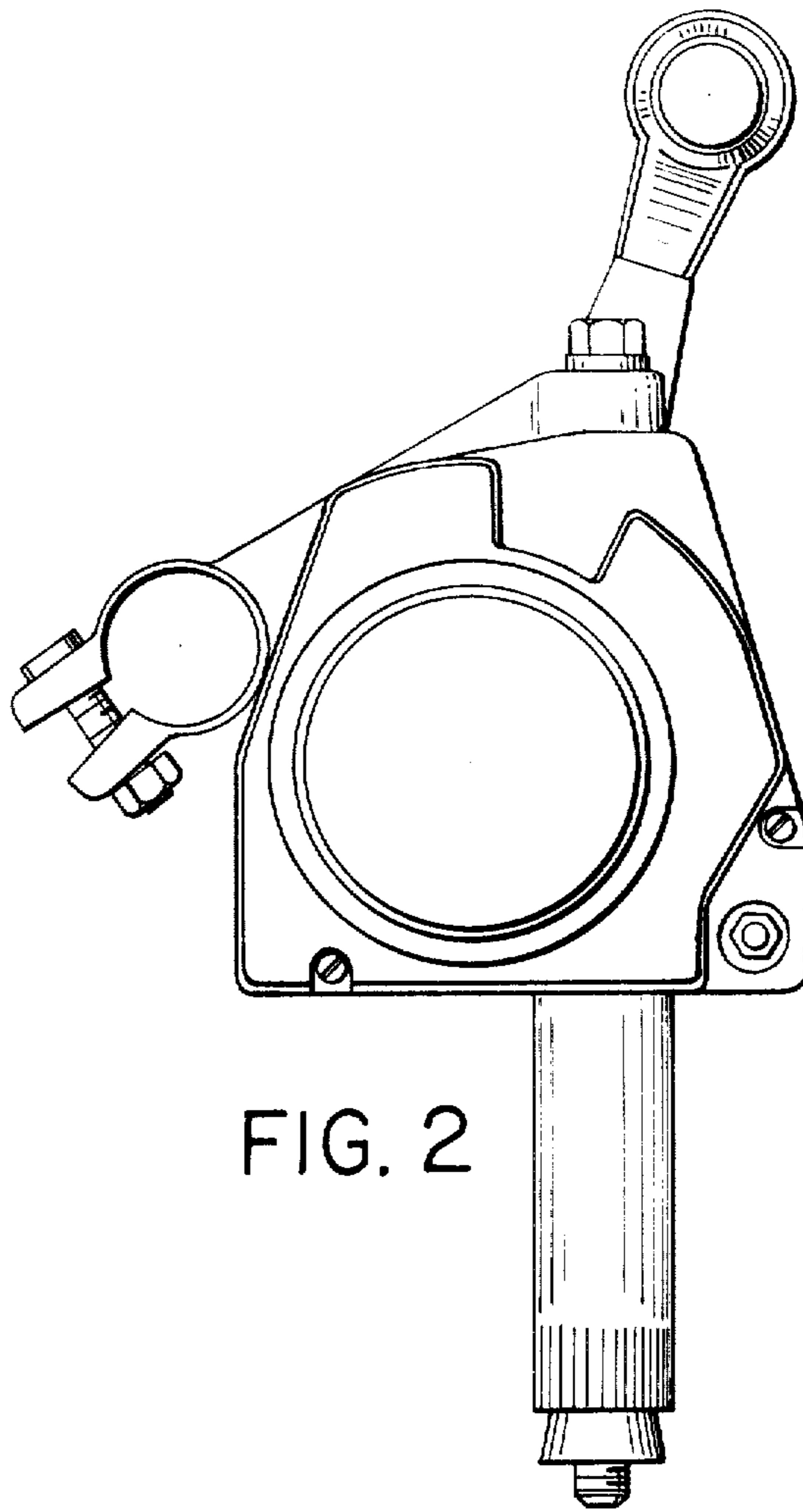


FIG. 2

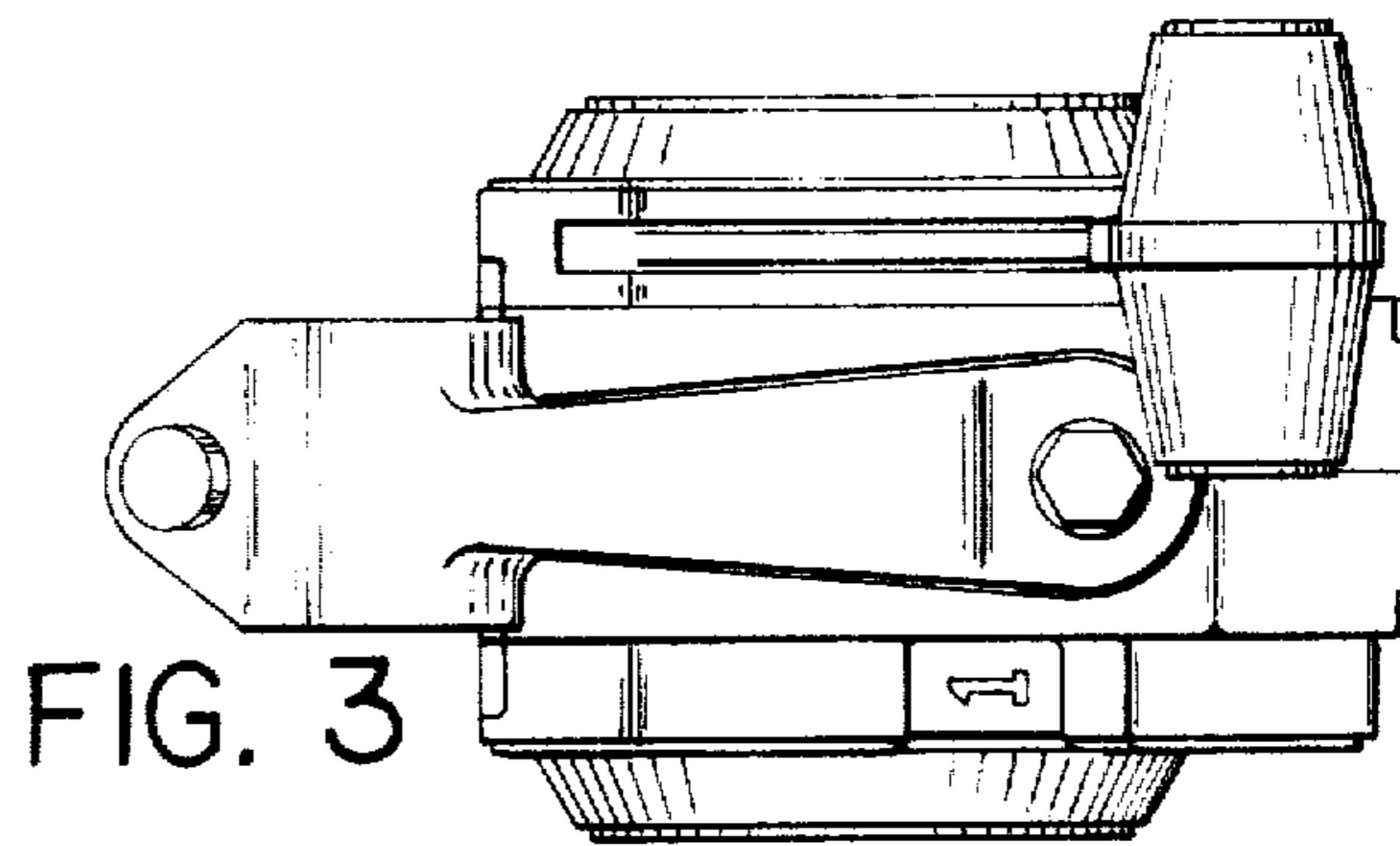


FIG. 3

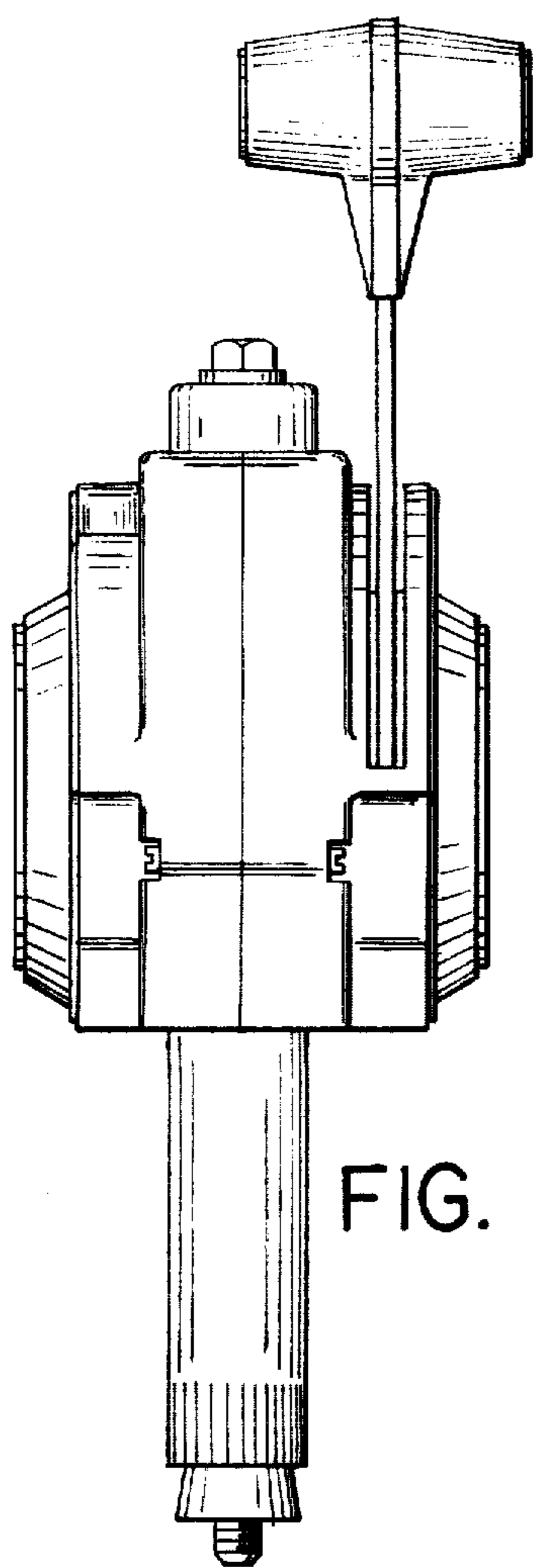


FIG. 4

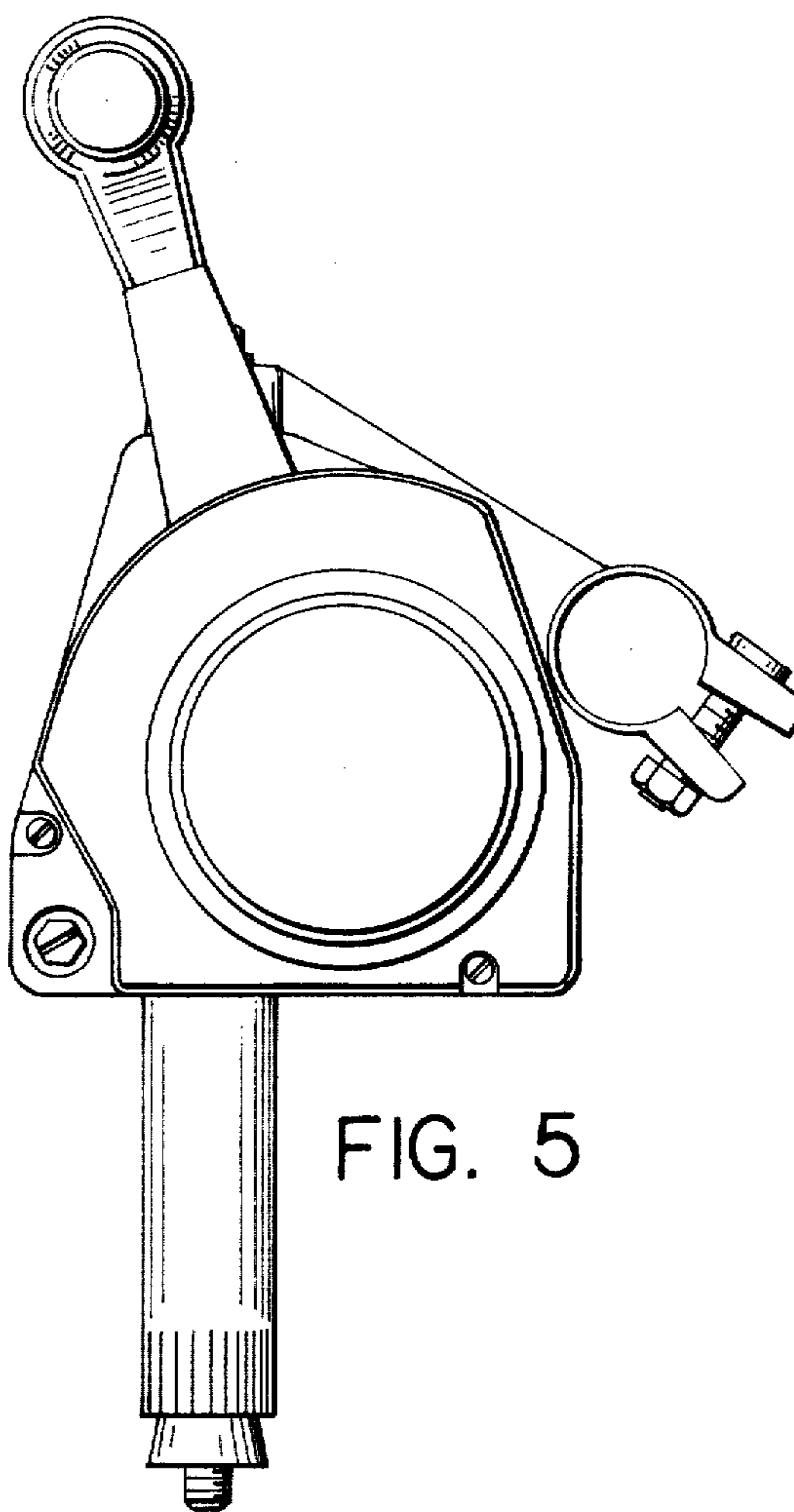


FIG. 5

FIG. 6

